

926646-1 ✓ ACTIVE

[Positive Lock](#) | [Positive Lock 250](#)

TE Internal #: 926646-1

Receptacle Terminal Housing, 8 Position, 9.1 mm [.358 in]
Centerline, Straight, Black, UL 94V-2, Polyamide 6.6 GF, Positive
Lock 250

[View on TE.com >](#)



Terminals & Splices > Terminal Housings, Insulation Sleeves & Blocks > Crimp Terminal Housings



Terminal Type: **Receptacle**

Connector & Housing Type: **Receptacle**

Number of Positions: **8**

Terminal Orientation: **Straight**

UL Flammability Rating: **UL 94V-2**

Features

Product Type Features

Connector & Contact Terminates To	Wire & Cable
Sealable	No
Connector System	Wire-to-Board, Wire-to-Wire
Connector & Housing Type	Receptacle

Configuration Features

Number of Positions	8
---------------------	---

Body Features

Primary Product Color	Black
-----------------------	-------

Contact Features

Terminal Type	Receptacle
Terminal Orientation	Straight
Contact Mating Retention	Without

Mechanical Attachment



Mating Alignment Type	Polarization
Mating Alignment	With
Connector Mounting Type	Cable Mount (Free-Hanging)

Housing Features

Housing Material	Polyamide 6.6 GF
Centerline (Pitch)	9.1 mm [.358 in]

Usage Conditions

Operating Temperature Range	-40 – 105 °C [-40 – 221 °F]
-----------------------------	-----------------------------

Industry Standards

UL Flammability Rating	UL 94V-2
------------------------	----------

Packaging Features

Packaging Quantity	500
Packaging Method	Carton

Product Compliance

[For compliance documentation, visit the product page on TE.com>](#)

EU RoHS Directive 2011/65/EU	Compliant
EU ELV Directive 2000/53/EC	Compliant
China RoHS 2 Directive MIIT Order No 32, 2016	有害物质含量符合标准要求 No Restricted Substance(s) Above Threshold
EU REACH Regulation (EC) No. 1907/2006	Current ECHA Candidate List: JUNE 2025 (250) Candidate List Declared Against: JUNE 2025 (250) Does not contain REACH SVHC
Halogen Content	Low Halogen - Br, Cl, F < 900 ppm per homogenous material. Also BFR/CFR/PVC Free
Solder Process Capability	Not applicable for solder process capability

Product Compliance Disclaimer

This information is provided based on reasonable inquiry of our suppliers and represents our current actual knowledge based on the information they provided. This information is subject to change. The part numbers that TE has identified as EU RoHS compliant have a maximum concentration of 0.1% by weight in homogenous materials for lead, hexavalent chromium, mercury, PBB, PBDE, DBP, BBP, DEHP, DIBP, and 0.01% for cadmium, or qualify for an exemption to these limits as defined in the Annexes of Directive 2011/65/EU (RoHS2). Finished electrical and electronic equipment products will be CE marked as required by Directive 2011/65/EU. Components may not be CE marked. Additionally, the part numbers that TE has identified as EU ELV compliant have a maximum concentration of 0.1% by weight in homogenous materials for lead, hexavalent chromium, and mercury, and 0.01% for cadmium, or qualify for an exemption to these limits as defined in the Annexes of Directive 2000/53/EC (ELV). Regarding the REACH Regulation, the information TE provides

on SVHC in articles for this part number is based on the latest European Chemicals Agency (ECHA) 'Guidance on requirements for substances in articles' posted at this URL: <https://echa.europa.eu/guidance-documents/guidance-on-reach>

Compatible Parts



TE Part # 100100-1
2 POS POSITIVE LOCK (PL) HOUSING



TE Part # 154719-5
PL 250 REC HSG 1P NYLON GREEN



TE Part # 154719-1
250 HSG. PL MKI REC. NAT



TE Part # 926522-1
PL 250 REC HSG 2P NYLON BLACK



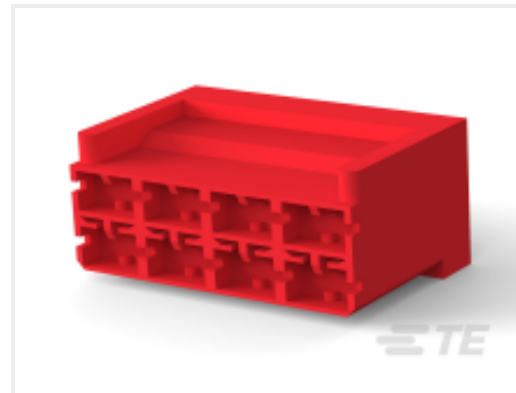
TE Part # 926521-2
PL 250 REC HSG 2P NYLON BLACK



TE Part # 926646-8
PL 250 8P HOUSING PA6.6 ZYTEL 101 WHITE



TE Part # 185010-2
HEADLIGHT HOUSING HOUSING



TE Part # 926646-4
8P POS-LOCK GEH 6,3



TE Part # 154719-2
PL 250 REC HSG 1P NYLON RED



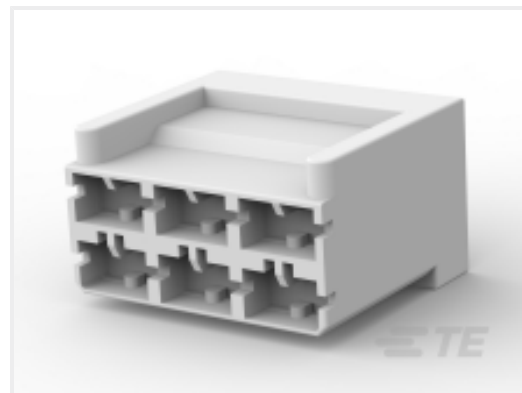
TE Part # 154719
250 HSG. PL MKI REC. BLACK



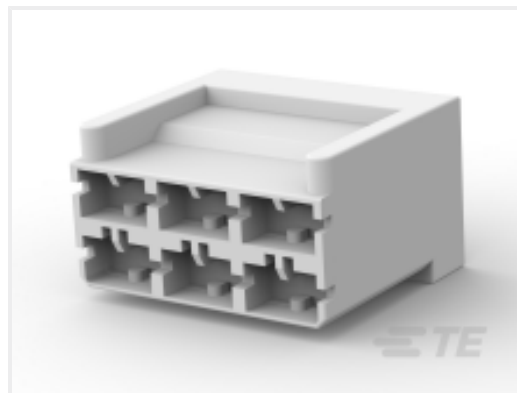
TE Part # 926330-1
PL 250 REC HSG 6P NYLON BLACK



TE Part # 926716-1
PL 2P HOUSING PA 6.6 ZYTEL 101 BLACK

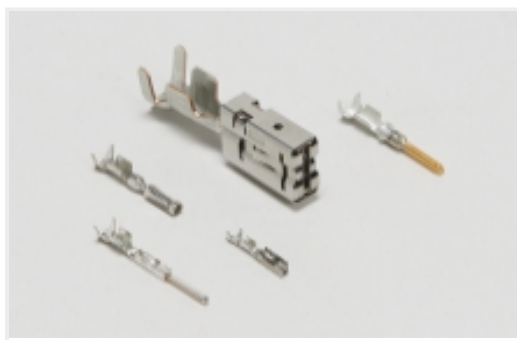


TE Part # 926330-3
6P POS-LOCK BU GEH

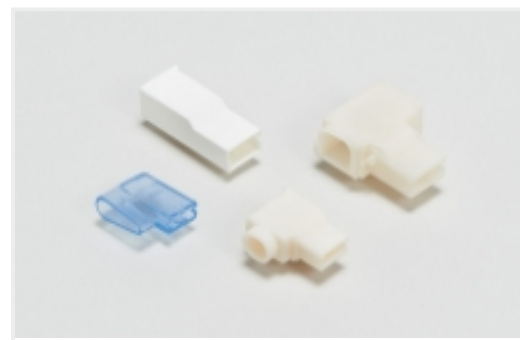


TE Part # 926330-8
6P POS-LOCK BU GEH

Also in the Series | **Positive Lock 250**



Automotive Terminals(1)



Crimp Terminal Housings(176)



Insertion & Extraction Tools(3)



Insulation Boots & Sleeves(5)

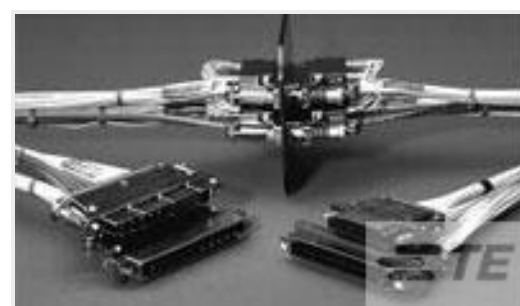


Quick Disconnects(171)

Customers Also Bought



TE Part #803781-SF
FN9222B-15-06



TE Part #699693-000
MTC100-JH1-P22



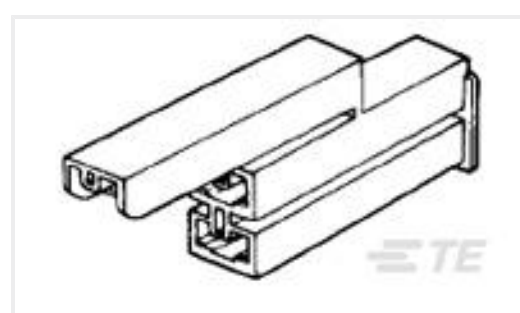
TE Part #66261-1
MALE CONTACT ASSY. (L.P.)



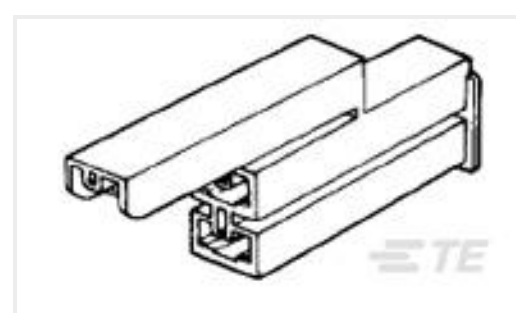
TE Part #66740-8
TYPE XII FEMALE CONT (L.P.)



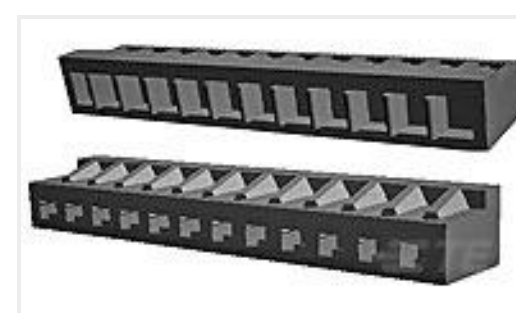
TE Part #170324-1
187 PL MKII REC. 24-20AWG PTBR



TE Part #172075-1
POSITIVE LOCK 187 HOUSING
RECEPTACLE



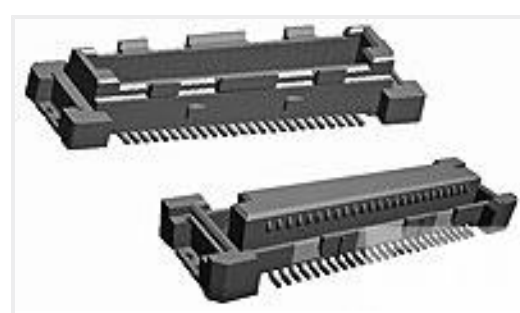
TE Part #1-172075-1
3 POS PL 187(4.8 MM) HOUSING
NATURAL



TE Part #172890-2
2P 2MM MINI AMP-IN HDR HSG



TE Part #206426-1
CPC PLUG ASSEMBLY SIZE 17-3



TE Part #1-5353183-0
.6FHP04H,140,S,STD,08/Sn,TR,NSYes

Documents



Product Drawings

[PL 250 REC HSG 8P NYLON BLACK](#)

English

CAD Files

[3D PDF](#)

3D

Customer View Model

[ENG_CVM_CVM_926646-1_E.2d_dxf.zip](#)

English

Customer View Model

[ENG_CVM_CVM_926646-1_E.3d_igs.zip](#)

English

Customer View Model

[ENG_CVM_CVM_926646-1_E.3d_stp.zip](#)

English

By downloading the CAD file I accept and agree to the [Terms and Conditions](#) of use.

Datasheets & Catalog Pages

[Positive Lock Receptacles](#)

English

[110_Positive_Lock_Housings](#)

English

[POS_LOCK_MII_ORG](#)

English

[2P_Positive_Lock_HSGS](#)

English