

926330-8 ✓ ACTIVE

[Positive Lock](#) | [Positive Lock 250](#)

TE Internal #: 926330-8

Tab, Tab Housing, 6 Position, Straight, UL 94V-0, White, Polyamide
6.6 GF, Cable Mount (Free-Hanging), Positive Lock 250, Crimp
Terminal Housings

[View on TE.com >](#)



Terminals & Splices > Terminal Housings, Insulation Sleeves & Blocks > Crimp Terminal Housings



Terminal Type: **Tab**

Connector & Housing Type: **Tab Housing**

Number of Positions: **6**

Terminal Orientation: **Straight**

UL Flammability Rating: **UL 94V-0**

Features

Packaging Features

Packaging Quantity	1000
Packaging Method	Carton

Configuration Features

Number of Rows	2
Number of Positions	6

Product Type Features

Sealable	No
Connector & Housing Type	Tab Housing

Body Features

Primary Product Color	White
-----------------------	-------

Contact Features

Terminal Type	Tab
Terminal Orientation	Straight



Contact Mating Retention	Without
--------------------------	---------

Mechanical Attachment

Mating Alignment	With
Connector Mounting Type	Cable Mount (Free-Hanging)

Housing Features

Housing Material	Polyamide 6.6 GF
Centerline (Pitch)	9.1 mm[.358 in]

Usage Conditions

Operating Temperature Range	-40 – 105 °C[-40 – 221 °F]
-----------------------------	----------------------------

Industry Standards

UL Flammability Rating	UL 94V-0
------------------------	----------

Other

EU RoHS Compliance	Compliant
--------------------	-----------

Product Compliance

[For compliance documentation, visit the product page on TE.com>](#)

EU RoHS Directive 2011/65/EU	Compliant
EU ELV Directive 2000/53/EC	Not Yet Reviewed
China RoHS 2 Directive MIIT Order No 32, 2016	No Restricted Materials Above Threshold
EU REACH Regulation (EC) No. 1907/2006	Current ECHA Candidate List: JUNE 2024 (241) Candidate List Declared Against: JAN 2021 (211) Does not contain REACH SVHC
Halogen Content	Not Yet Reviewed for halogen content
Solder Process Capability	Not applicable for solder process capability

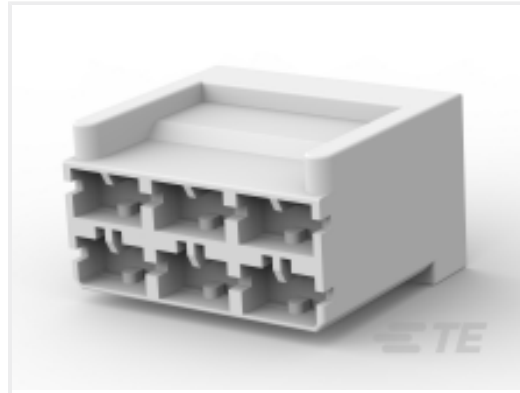
Product Compliance Disclaimer

This information is provided based on reasonable inquiry of our suppliers and represents our current actual knowledge based on the information they provided. This information is subject to change. The part numbers that TE has identified as EU RoHS compliant have a maximum concentration of 0.1% by weight in homogenous materials for lead, hexavalent chromium, mercury, PBB, PBDE, DBP, BBP, DEHP, DIBP, and 0.01% for cadmium, or qualify for an exemption to these limits as defined in the Annexes of Directive 2011/65/EU (RoHS2). Finished electrical and electronic equipment products will be CE marked as required by Directive 2011/65/EU. Components may not be CE marked. Additionally, the part numbers that TE has identified as EU ELV compliant have a maximum concentration of 0.1% by weight in homogenous materials for lead, hexavalent chromium, and mercury, and 0.01% for cadmium, or qualify for an exemption to these limits as defined in the Annexes of Directive 2000/53/EC (ELV). Regarding the REACH Regulation, the information TE provides on SVHC in articles for this part number is based on the latest European Chemicals Agency (ECHA) 'Guidance on requirements for substances in articles' posted at this URL: <https://echa.europa.eu/guidance-documents/guidance-on-reach>

Compatible Parts



TE Part # 179182-1
POSITIVE LOCK 187 (4.8 MM)
HOUSING



TE Part # 926330-3
6P POS-LOCK BU GEH



TE Part # 926646-1
PL 250 REC HSG 8P NYLON BLACK



TE Part # 179182-7
POSITIVE LOCK 187 (4.8 MM)
HOUSING



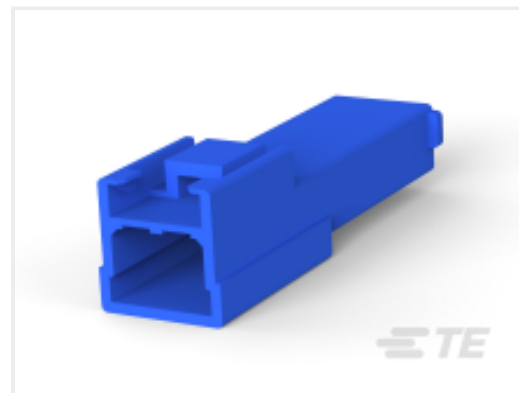
TE Part # 1-1743103-1
2P PL 187 HOUSING TAB NATURAL 6
/6 NYLON



TE Part # 926646-4
8P POS-LOCK GEH 6,3



TE Part # 926646-8
PL 250 8P HOUSING PA6.6 ZYTEL 101
WHITE

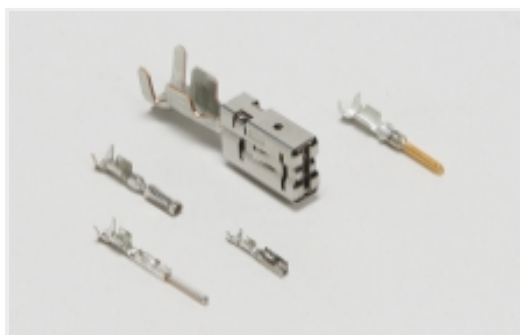


TE Part # 179182-6
POSITIVE LOCK 187 (4.8 MM)
HOUSING



TE Part # 926330-1
PL 250 REC HSG 6P NYLON BLACK

Also in the Series | Positive Lock 250



Automotive Terminals(1)



Crimp Terminal Housings(182)



Insertion & Extraction Tools(3)



Insulation Boots & Sleeves(5)



[Quick Disconnects\(174\)](#)

Customers Also Bought



TE Part #114017-ZZ
SEALING PLUG, SIZE 12/16, WHT



TE Part #CAT-AM71-CH8172
AMP SUPERSEAL 1.5MM,
CONNECTOR HOUSING



TE Part #DT04-2P
REC, 2P, GRY, N



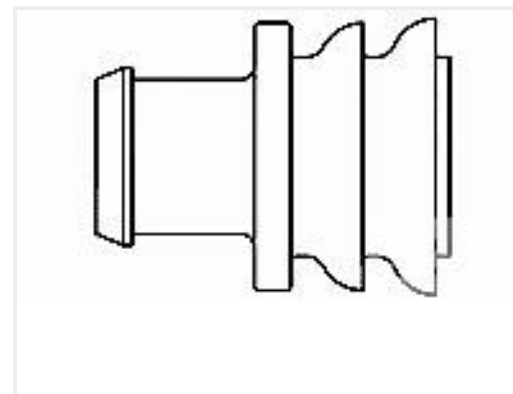
TE Part #DT06-2S
PLG, 2P, GRY, N



TE Part #CAT-D487-W416
Wedgelocks: DEUTSCH DT



TE Part #CAT-D48-ST273
DEUTSCH Solid Contacts



TE Part #281934-2
SINGLE WIRE SEAL

Documents

Product Drawings

[6P POS-LOCK BU GEH](#)

English

CAD Files

Customer View Model

[ENG_CVM_CVM_926330-8_F.2d_dxf.zip](#)

English

[3D PDF](#)

3D

Customer View Model

[ENG_CVM_CVM_926330-8_F.3d_igs.zip](#)

English

Customer View Model

[ENG_CVM_CVM_926330-8_F.3d_stp.zip](#)

English

By downloading the CAD file I accept and agree to the [Terms and Conditions](#) of use.



[Agency Approvals](#)

[UL Report](#)

English