



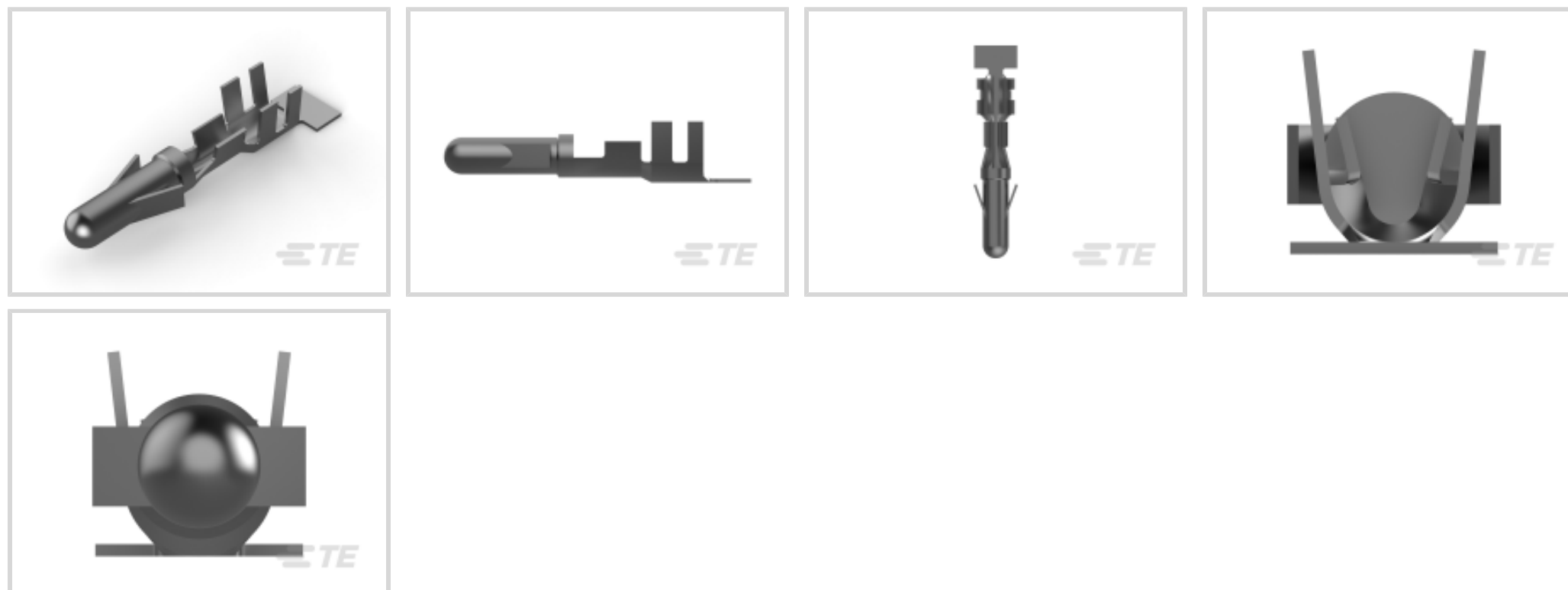
MATE-N-LOK | Commercial MATE-N-LOK

TE Internal #: 925715-2

Tin (Sn), Pin Contact, 20 – 14 AWG, 250 VAC, .5 – 2 mm<sup>2</sup> Wire, Locking Lance Contact Retention, Crimp, Phosphor Bronze, Power, Commercial MATE-N-LOK

[View on TE.com >](#)

Connectors > Contacts > Connector Contacts



Contact Type: **Pin**

Contact Mating Area Plating Material: **Tin (Sn)**

Wire Contact Termination Area Plating Material: **Pre-Tin**

Operating Voltage: **250 VAC**

Contact Retention Within Housing: **With**

**Features**

**Electrical Characteristics**

Operating Voltage	250 VAC
-------------------	---------

**Contact Features**

Contact Type	Pin
Contact Mating Area Plating Material	Tin (Sn)
Wire Contact Termination Area Plating Material	Pre-Tin
Contact Retention Within Housing	With
Contact Base Material	Phosphor Bronze
Contact Current Rating (Max)	17 A
Mating Pin Diameter	3.56 mm[.14 in]
Wire Contact Termination Area Plating Thickness	3 μm[118.1 μin]
Wire Contact Termination Area Plating Material Finish	Matte
Contact Orientation	Straight

**Termination Features**

Termination Method to Wire & Cable	Crimp
------------------------------------	-------



Product Terminates To

Wire &amp; Cable

### Mechanical Attachment

Contact Retention Type Within Housing

Locking Lance

Wire Insulation Support

With

### Dimensions

Wire Size

.5 – 2 mm<sup>2</sup>

Compatible Insulation Diameter Range

2.5 – 4.5 mm [.098 – .177 in]

### Usage Conditions

Operating Temperature Range

-55 – 105 °C [-67 – 221 °F]

### Operation/Application

Circuit Application

Power

### Packaging Features

Packaging Quantity

2500

Packaging Method

Reel

### Product Compliance

For compliance documentation, visit the product page on [TE.com](https://www.te.com)>

EU RoHS Directive 2011/65/EU

Compliant

EU ELV Directive 2000/53/EC

Compliant

China RoHS 2 Directive MIIT Order No 32, 2016

有害物质含量符合标准要求 No Restricted Substance(s) Above Threshold

EU REACH Regulation (EC) No. 1907/2006

Current ECHA Candidate List: JUNE 2025 (250)  
 Candidate List Declared Against: JUNE 2025 (250)  
 Does not contain REACH SVHC

Halogen Content

Low Halogen - Br, Cl, F < 900 ppm per homogenous material. Also BFR/CFR/PVC Free

Solder Process Capability

Not applicable for solder process capability

#### Product Compliance Disclaimer

This information is provided based on reasonable inquiry of our suppliers and represents our current actual knowledge based on the information they provided. This information is subject to change. The part numbers that TE has identified as EU RoHS compliant have a maximum concentration of 0.1% by weight in homogenous materials for lead, hexavalent chromium, mercury, PBB, PBDE, DBP, BBP, DEHP, DIBP, and 0.01% for cadmium, or qualify for an exemption to these limits as defined in the Annexes of Directive 2011/65/EU (RoHS2). Finished electrical and electronic equipment products will be CE marked as required by Directive 2011/65/EU. Components may not be CE marked. Additionally, the part

numbers that TE has identified as EU ELV compliant have a maximum concentration of 0.1% by weight in homogenous materials for lead, hexavalent chromium, and mercury, and 0.01% for cadmium, or qualify for an exemption to these limits as defined in the Annexes of Directive 2000/53/EC (ELV). Regarding the REACH Regulation, the information TE provides on SVHC in articles for this part number is based on the latest European Chemicals Agency (ECHA) 'Guidance on requirements for substances in articles' posted at this URL: <https://echa.europa.eu/guidance-documents/guidance-on-reach>

## Compatible Parts



TE Part # 794683-1  
09P .140 MNL CAP BLK HT



TE Part # 2305570-1  
Strip Terminal Cutter-Side Feed-No Crimp



TE Part # 1-350345-0  
02P .140 MNL CAP P/M NAT



TE Part # 1-480512-0  
04P .140 MNL CAP NAT



TE Part # 1-480586-0  
09P .140 MNL CAP NAT



TE Part # 539764-1  
EXTRACTION TOOL



TE Part # 1-480673-0  
09P .140 MNL CAP PM NAT



TE Part # 926915-1  
3,5 MNL PCB HYLST



TE Part # 2151320-1  
OCEAN\_2.0\_APPLICATION-S-100F190O180F-RSM



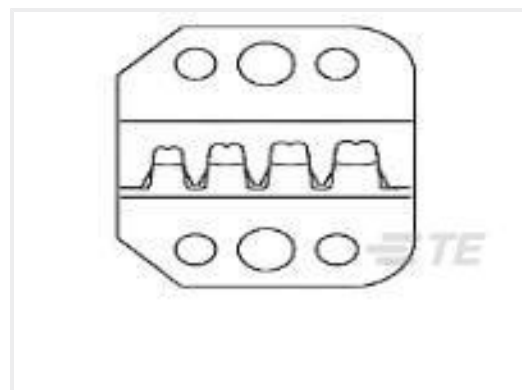
TE Part # 1-350347-0  
03P .140 MNL CAP PM NAT



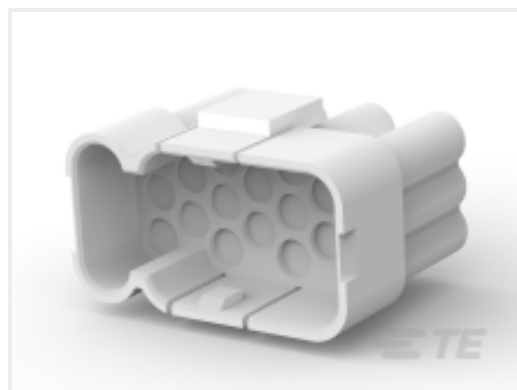
TE Part # 7-2151320-7  
OCEAN\_2.0\_SPARE\_PART\_KIT-100F190O180F



TE Part # 794061-1  
03P .140 MNL CAP BLK HT

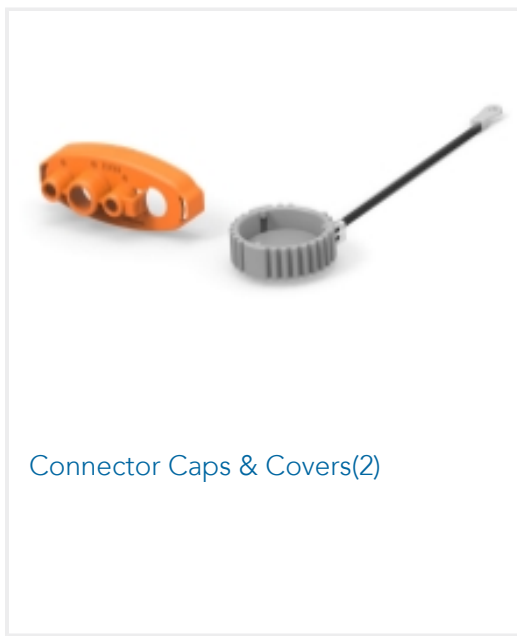


TE Part # 1752938-2  
SDE DIE SET 3.5 MM MNL

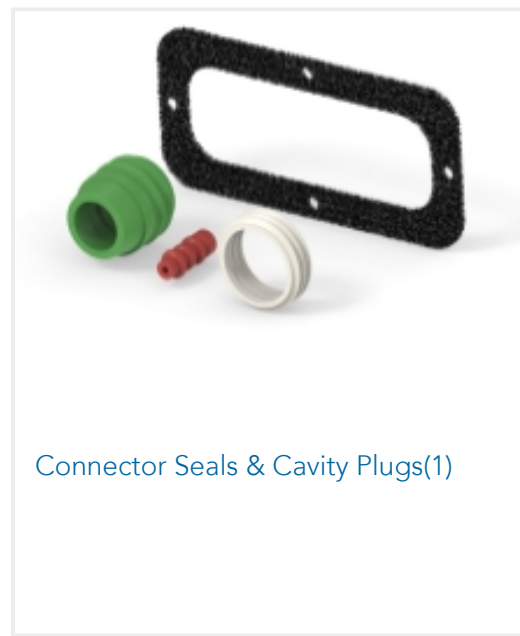


TE Part # 925450-1  
M-N-L PIN HSG

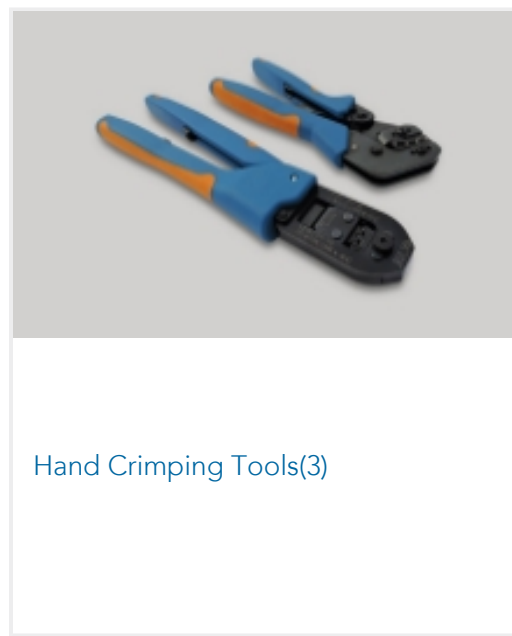
Also in the Series | [Commercial MATE-N-LOK](#)



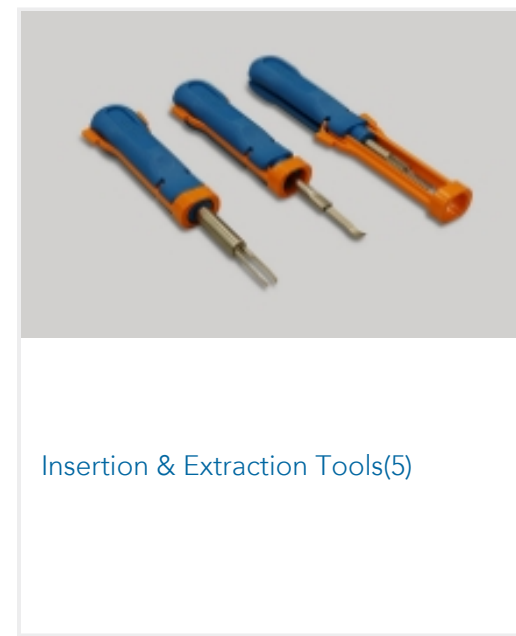
Connector Caps & Covers(2)



Connector Seals & Cavity Plugs(1)



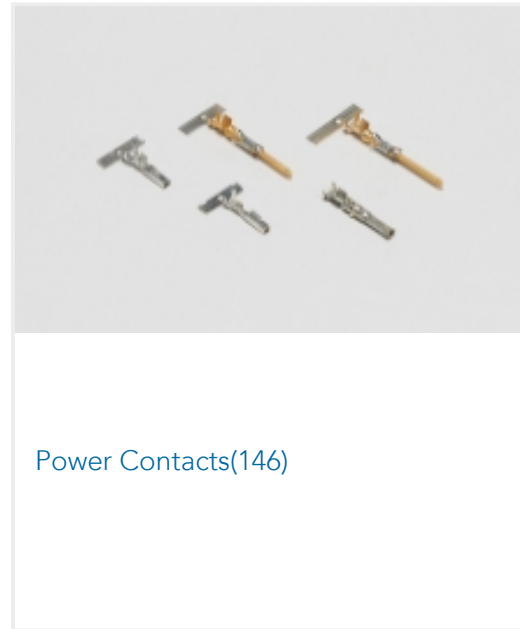
Hand Crimping Tools(3)



Insertion & Extraction Tools(5)



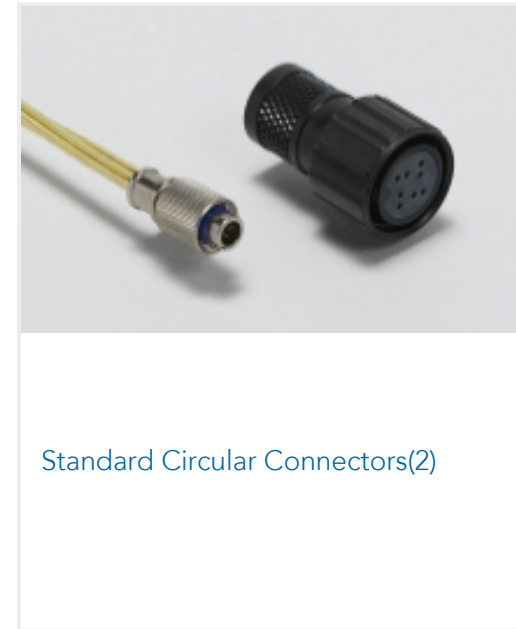
PCB Headers & Receptacles(55)



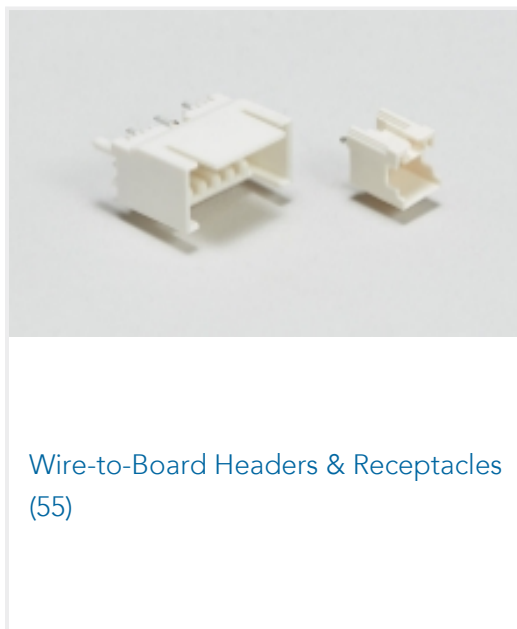
Power Contacts(146)



Rectangular Power Connectors(181)



Standard Circular Connectors(2)



Wire-to-Board Headers & Receptacles (55)

## Customers Also Bought



TE Part #K1007153  
Toggle Switch 08-1-1-13



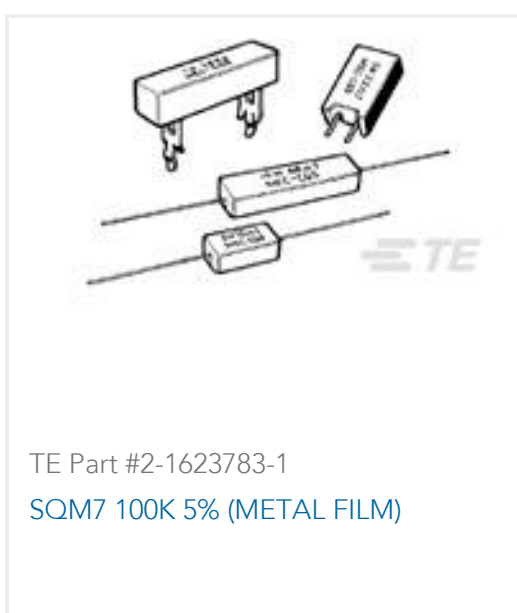
TE Part #160457-2  
FF 250 TAB 18-14AWG TPPB



TE Part #926980-2  
CI 2 STIFT



TE Part #1534841-1  
COVER FOR 12POS,MQS



TE Part #2-1623783-1  
SQM7 100K 5% (METAL FILM)



TE Part #2338212-1  
PLUG SOCKET ASSY, 4P, W2W, SEALED COAX



TE Part #1-2370702-1  
2POS,DIA 1.5MM,SOC HSG ASSY,SLD, COD NEUT



TE Part #368376-1  
81P REC HSG ASSY() BLK



## Documents

### CAD Files

#### Customer View Model

[ENG\\_CVM\\_925715-2\\_Y.3d\\_igs.zip](#)

English

#### Customer View Model

[ENG\\_CVM\\_925715-2\\_Y.3d\\_stp.zip](#)

English

#### Customer View Model

[ENG\\_CVM\\_925715-2\\_Y.2d\\_dxf.zip](#)

English

### 3D PDF

English

By downloading the CAD file I accept and agree to the [Terms and Conditions](#) of use.

### Product Specifications

#### Product Specification

English