

STD24W-H ✓ ACTIVE

Agastat 7000

TE Internal #: 917568-000

Snap-On, Size STD 24, Printed Marking H, Black Print, Straight Cut, Agastat 7000

[View on TE.com >](#)



Identification & Labeling > Pre-Printed Markers > STD Snap-On Markers



Marker Style: **Snap-On**

Marker Size: **STD 24**

Compatible Cable Diameter Range: **15 – 19 mm [.59 – .75 in]**

Marker Cut: **Straight**

Marking Details: **H**

[All STD Snap-On Markers \(957\)](#)

Features

Body Features

Marker Style	Snap-On
--------------	---------

Marker Size	STD 24
-------------	--------

Dimensions

Compatible Cable Diameter Range	15 – 19 mm [.59 – .75 in]
---------------------------------	---------------------------

Printer/Label Features

Marker Cut	Straight
------------	----------

Marking Details	H
-----------------	---

Packaging Features

Packaging Method	Box
------------------	-----

Packaging Quantity	50
--------------------	----

Other

Printed Marking Color	Black
-----------------------	-------

Product Compliance

[For compliance documentation, visit the product page on TE.com>](#)

EU RoHS Directive 2011/65/EU	Compliant
------------------------------	-----------

EU ELV Directive 2000/53/EC	Compliant
-----------------------------	-----------



China RoHS 2 Directive MIIT Order No 32, 2016	有害物质含量符合标准要求 No Restricted Substance(s) Above Threshold
EU REACH Regulation (EC) No. 1907/2006	Current ECHA Candidate List: JUNE 2025 (250) Candidate List Declared Against: JUNE 2025 (250) Does not contain REACH SVHC
Halogen Content	Low Halogen - Br, Cl, F < 900 ppm per homogenous material. Also BFR/CFR/PVC Free
Solder Process Capability	Not applicable for solder process capability

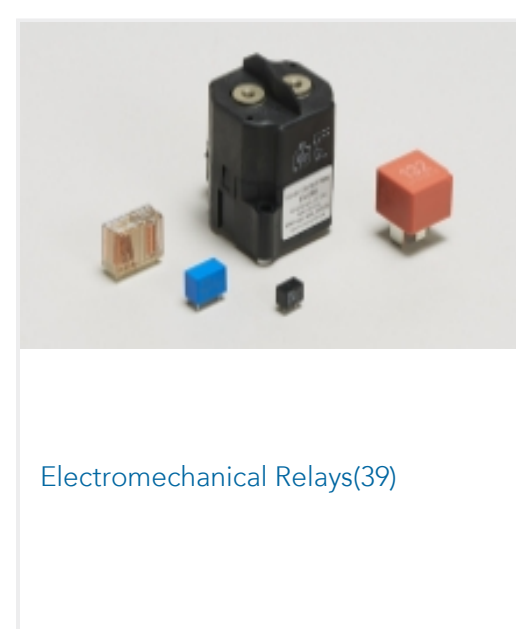
Product Compliance Disclaimer

This information is provided based on reasonable inquiry of our suppliers and represents our current actual knowledge based on the information they provided. This information is subject to change. The part numbers that TE has identified as EU RoHS compliant have a maximum concentration of 0.1% by weight in homogenous materials for lead, hexavalent chromium, mercury, PBB, PBDE, DBP, BBP, DEHP, DIBP, and 0.01% for cadmium, or qualify for an exemption to these limits as defined in the Annexes of Directive 2011/65/EU (RoHS2). Finished electrical and electronic equipment products will be CE marked as required by Directive 2011/65/EU. Components may not be CE marked. Additionally, the part numbers that TE has identified as EU ELV compliant have a maximum concentration of 0.1% by weight in homogenous materials for lead, hexavalent chromium, and mercury, and 0.01% for cadmium, or qualify for an exemption to these limits as defined in the Annexes of Directive 2000/53/EC (ELV). Regarding the REACH Regulation, the information TE provides on SVHC in articles for this part number is based on the latest European Chemicals Agency (ECHA) 'Guidance on requirements for substances in articles' posted at this URL: <https://echa.europa.eu/guidance-documents/guidance-on-reach>

Compatible Parts



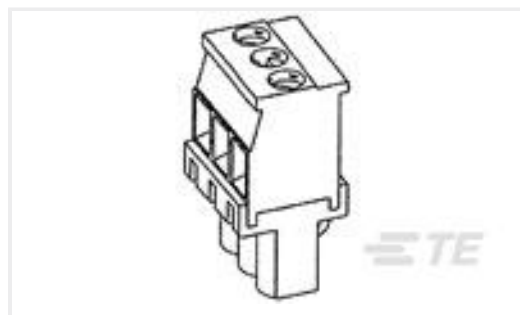
Also in the Series | Agastat 7000



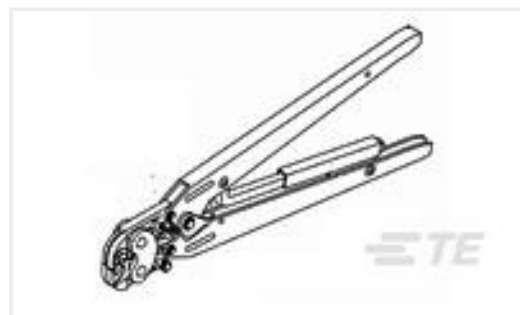
Customers Also Bought



TE Part #CAT-T3437-ST2999
STD Snap-On Markers



TE Part #1-284041-0
TERMINAL BLOCK VERTICAL PLUG S



TE Part #575046-1
DAHT 250 FASTON 22-14 ASSY



TE Part #1825139-8
A203SYCB04



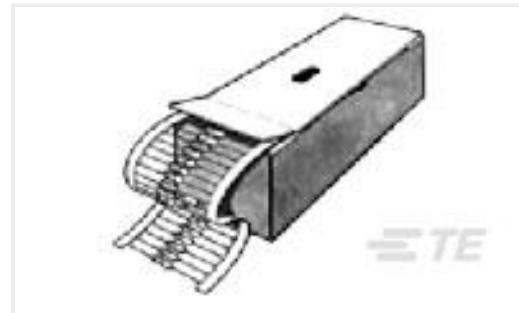
TE Part #2-1879026-0
YR1 0.1% 15R8



TE Part #3-1879026-3
YR1 0.1% 21R5



TE Part #6609987-5
15SRB1-W=F8219D



TE Part #1-2176045-7
EP 5W 3K3 5%

Documents

Product Drawings

[STD24W-H](#)

English

Datasheets & Catalog Pages

[STD and STB Technical Datasheet](#)

English

[STD/STB-type Snap-on Pre-printed Wire & Cable Markers](#)

English

[IDENTIFICATION SELECTION GUIDE](#)

English

[Cable Identification Product Shelf Life](#)

English

Product Specifications

[RW-2538 STD and STB work instruction](#)

English