



Relays & Contactors > Electromechanical Relays



Relay & Contactor Type: **High Voltage Contactor**

Current Type: **DC**

Contact Arrangement: **1 Form X SPST-NO-DM**

Contact Current Rating: **500 A**

Coil Voltage Rating: **115 VDC**

Features

Contact Features

Contact Material	Copper
------------------	--------

Mechanical Attachment

Product Mounting Feature Type	Flange with Mounting Holes
Product Mount Type	Chassis Mount

Electrical Characteristics

Coil Resistance	1008.3 Ω
Contact Switching Voltage (Max)	900 VDC
Contact Current Rating	500 A
Coil Voltage Rating	115 VDC
Contact Voltage Rating	12 – 900 VDC

Configuration Features

Relay Options	Power Switching
Contact Arrangement	1 Form X SPST-NO-DM

Product Type Features

Relay & Contactor Type	High Voltage Contactor
------------------------	------------------------

Operation/Application

Current Type	DC
--------------	----



Termination Features

Main Termination & Connection Type	Stud Terminals
Coil Termination & Connection Type	Flying Leads

Other

EU RoHS Compliance	Compliant
EU ELV Compliance	Compliant with Exemptions

Product Compliance

[For compliance documentation, visit the product page on TE.com>](#)

EU RoHS Directive 2011/65/EU	Compliant
EU ELV Directive 2000/53/EC	Compliant with Exemptions
China RoHS 2 Directive MIIT Order No 32, 2016	No Restricted Materials Above Threshold
EU REACH Regulation (EC) No. 1907/2006	Current ECHA Candidate List: JUNE 2024 (241) Candidate List Declared Against: JUNE 2024 (241) Does not contain REACH SVHC
Halogen Content	Low Halogen - Br, Cl, F, I < 900 ppm per homogenous material. Also BFR/CFR/PVC Free
Solder Process Capability	Hand solderable with lead free solder

Product Compliance Disclaimer

This information is provided based on reasonable inquiry of our suppliers and represents our current actual knowledge based on the information they provided. This information is subject to change. The part numbers that TE has identified as EU RoHS compliant have a maximum concentration of 0.1% by weight in homogenous materials for lead, hexavalent chromium, mercury, PBB, PBDE, DBP, BBP, DEHP, DIBP, and 0.01% for cadmium, or qualify for an exemption to these limits as defined in the Annexes of Directive 2011/65/EU (RoHS2). Finished electrical and electronic equipment products will be CE marked as required by Directive 2011/65/EU. Components may not be CE marked. Additionally, the part numbers that TE has identified as EU ELV compliant have a maximum concentration of 0.1% by weight in homogenous materials for lead, hexavalent chromium, and mercury, and 0.01% for cadmium, or qualify for an exemption to these limits as defined in the Annexes of Directive 2000/53/EC (ELV). Regarding the REACH Regulation, the information TE provides on SVHC in articles for this part number is based on the latest European Chemicals Agency (ECHA) 'Guidance on requirements for substances in articles' posted at this URL: <https://echa.europa.eu/guidance-documents/guidance-on-reach>

Compatible Parts



TE Part # 8-1618404-1
LEV200AKNAF=RELAY, SPST-NO
72VDC



TE Part # 9-1618387-5
LEV200HOANA01=RELAY, SPST-NO

Also in the Series | **Kilovac LEV200**

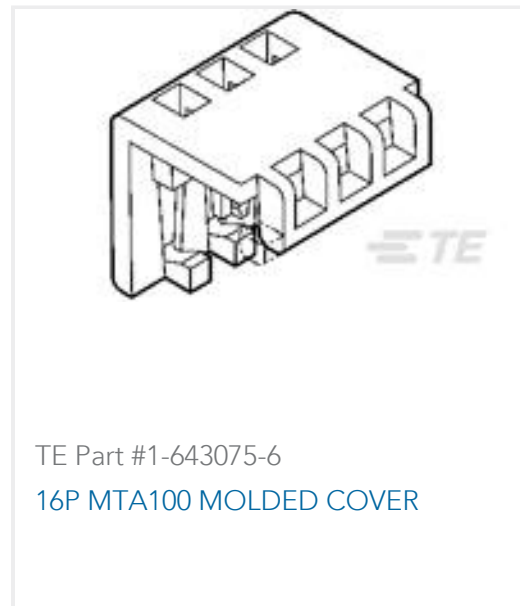


DC Relays(33)

Customers Also Bought



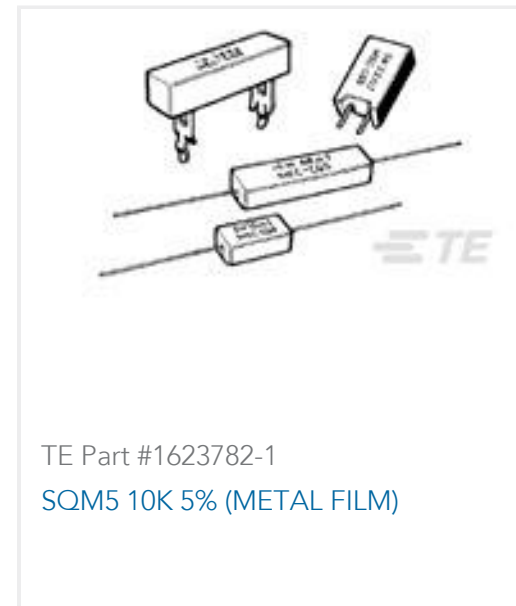
TE Part #225686-E
POWELM BUCHSE VOLLM M10 11
2,54 * EP 17,



TE Part #1-643075-6
16P MTA100 MOLDED COVER



TE Part #207544-7
METRIMATE PIN HEADER ASSY,16P



TE Part #1623782-1
SQM5 10K 5% (METAL FILM)



TE Part #207365-7
METRIMATE PIN HEADER ASSY,3P



TE Part #1-208223-0
CPC RCPT ASSEMBLY SIZE 13-9



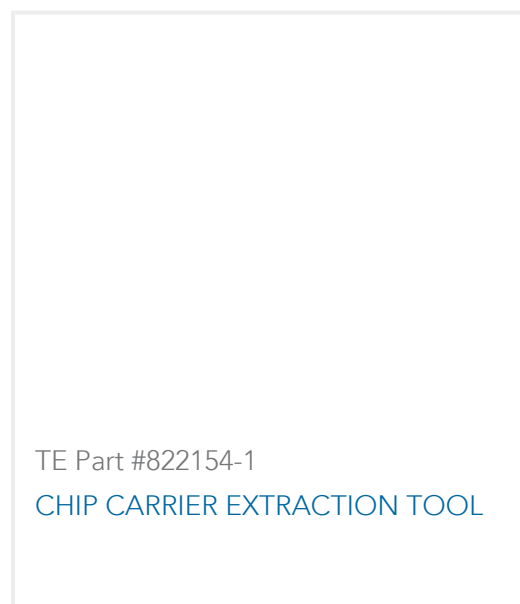
TE Part #9-1393211-8
T92S7A12-24



TE Part #5-747904-2
9 Plug Solder Cup, Gold Flash,



TE Part #4-640440-3
13P MTA100 CONN ASSY 22AWG RED



TE Part #822154-1
CHIP CARRIER EXTRACTION TOOL



Documents

CAD Files

3D PDF

3D

Customer View Model

[ENG_CVM_CVM_9-1618384-6_C.2d_dxf.zip](#)

English

Customer View Model

[ENG_CVM_CVM_9-1618384-6_C.3d_igs.zip](#)

English

Customer View Model

[ENG_CVM_CVM_9-1618384-6_C.3d_stp.zip](#)

English

By downloading the CAD file I accept and agree to the [Terms and Conditions](#) of use.

Datasheets & Catalog Pages

[5-1773450-5_sec7_LEV200](#)

English