

FC-335-CW8 ✓ ACTIVE

CII | CII FC-335

TE Internal #: 9-1617803-5

General Purpose Power Relay, AC, Non-Polarized, Monostable, 3 Form X 3PST-NO-DM, 35 A Contact Rating, 115 VAC Coil Voltage, Panel Mount, CII FC-335

[View on TE.com >](#)



Relays & Contactors > Electromechanical Relays



Relay & Contactor Type: **General Purpose Power Relay**

Current Type: **AC**

Coil Magnetic System: **Non-Polarized, Monostable**

Contact Arrangement: **3 Form X 3PST-NO-DM**

Contact Current Rating: **35 A**

Features

Contact Features

Contact Material	Silver Cadmium Oxide
Terminal Plating	Tin-Lead

Usage Conditions

Operating Temperature Range	-70 – 125 °C[-94 – 257 °F]
Environmental Ambient Temperature (Max)	125 °C[257 °F]

Mechanical Attachment

Product Mounting Feature Type	Mounting Studs
Product Mount Type	Panel Mount

Electrical Characteristics

Coil Current	.055 A
Contact Switching Voltage (Max)	200 VAC, 115 VAC
Contact Current Rating	35 A
Coil Voltage Rating	115 VAC

Operation/Application

Vibration Resistance	10G's, 5 – 1000Hz
Shock Resistance	50G's, 11ms
Current Type	AC



Coil Magnetic System

Non-Polarized, Monostable

Product Type Features

Relay & Contactor Type

General Purpose Power Relay

Configuration Features

Contact Arrangement

3 Form X 3PST-NO-DM

Body Features

Enclosure Type

Hermetically Sealed

Termination Features

Main Termination & Connection Type

Solder Hook Terminals

Coil Termination & Connection Type

Solder Hook Terminals

Other

EU RoHS Compliance

Not Compliant

Product Compliance

[For compliance documentation, visit the product page on TE.com>](#)

EU RoHS Directive 2011/65/EU

Not Compliant

EU ELV Directive 2000/53/EC

Not Yet Reviewed

China RoHS 2 Directive MIIT Order No 32, 2016

Restricted Materials Above Threshold

EU REACH Regulation (EC) No. 1907/2006

Current ECHA Candidate List: JUNE 2024 (241)
 Candidate List Declared Against: JAN 2024 (240)
 Does not contain REACH SVHC

Halogen Content

Not Yet Reviewed for halogen content

Solder Process Capability

Not applicable for solder process capability

Product Compliance Disclaimer

This information is provided based on reasonable inquiry of our suppliers and represents our current actual knowledge based on the information they provided. This information is subject to change. The part numbers that TE has identified as EU RoHS compliant have a maximum concentration of 0.1% by weight in homogenous materials for lead, hexavalent chromium, mercury, PBB, PBDE, DBP, BBP, DEHP, DIBP, and 0.01% for cadmium, or qualify for an exemption to these limits as defined in the Annexes of Directive 2011/65/EU (RoHS2). Finished electrical and electronic equipment products will be CE marked as required by Directive 2011/65/EU. Components may not be CE marked. Additionally, the part numbers that TE has identified as EU ELV compliant have a maximum concentration of 0.1% by weight in homogenous materials for lead, hexavalent chromium, and mercury, and 0.01% for cadmium, or qualify for an exemption to these limits as defined in the Annexes of Directive 2000/53/EC (ELV). Regarding the REACH Regulations, TE's information on SVHC in articles for this part number is still based on the European Chemical Agency (ECHA) 'Guidance on requirements for substances in articles' (Version: 2, April 2011), applying the 0.1% weight on weight concentration threshold at the finished product level. TE is aware of the European Court of Justice ruling of September 10th, 2015 also known as O5A (Once An Article Always An Article) stating that, in case of 'complex object', the threshold for a SVHC must be applied to both the product as a whole and simultaneously to each of the articles forming part of its composition. TE has evaluated this ruling

based on the new ECHA "Guidance on requirements for substances in articles" (June 2017, version 4.0) and will be updating its statements accordingly.

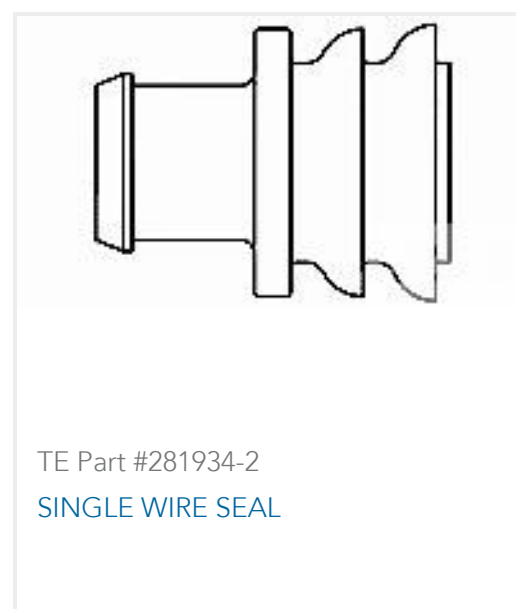
Compatible Parts



Also in the Series | CII FC-335



Customers Also Bought



Documents

[Product Drawings](#)
[FC-335-CW8=RELAY 3PST](#)



English

Datasheets & Catalog Pages

CII FC-335 Series Relay

English