

9-1437719-0 ACTIVE



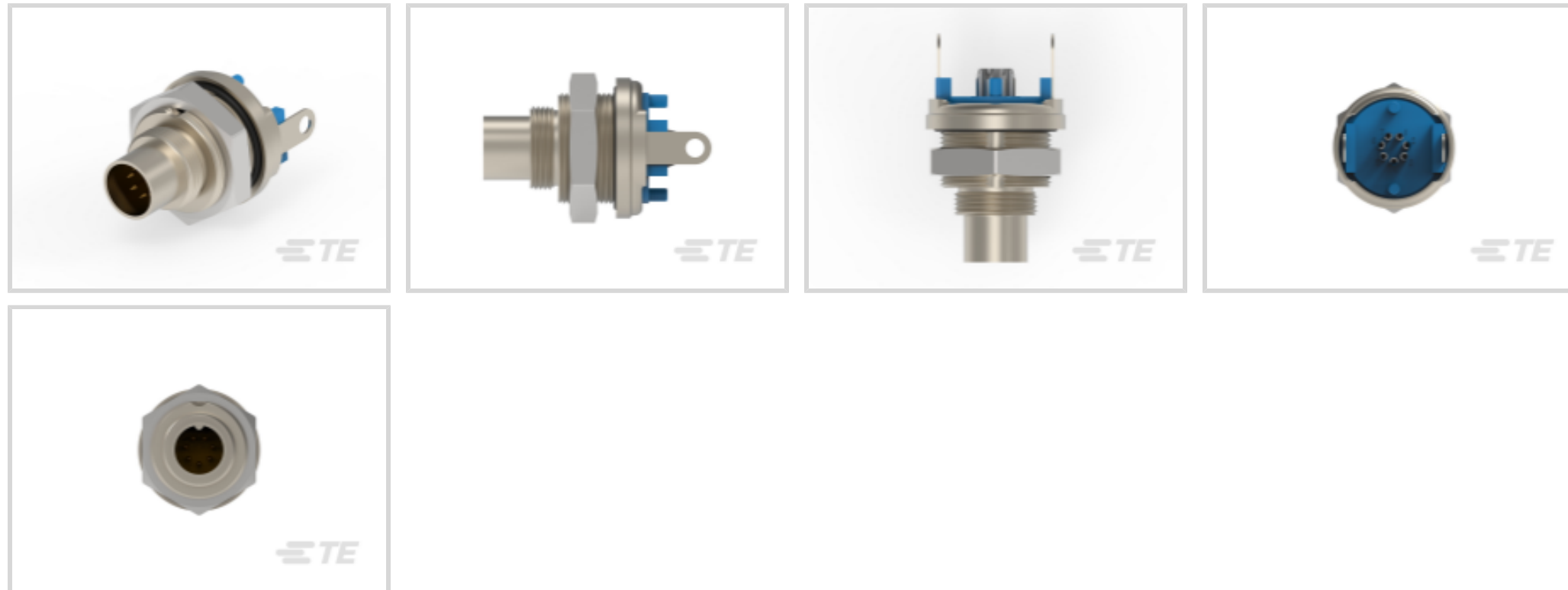
Triad 01 Panel/PCB Connector

TE Internal #: 9-1437719-0

Wire-to-Board, Circular Connector Plug, 7 Position, Sealable, Signal, Panel Mount, Reverse Gender, Nickel, CuZn, PBT, Triad 01 Panel/PCB Connector

[View on TE.com >](#)

Connectors > Circular Connectors > Standard Circular Connectors



Connector System: **Wire-to-Board**

Connector Mounting Type: **Panel Mount**

Number of Positions: **7**

Sealable: **Yes**

Contact Current Rating (Max): **1 A**

Features

Product Type Features

Connector Product Type	Connector Assembly
Connector System	Wire-to-Board
Sealable	Yes
Circular Connector Type	Circular Connector Plug
Shell Type	Metal

Configuration Features

Number of Positions	7
Number of Power Positions	0
Number of Signal Positions	7
Contacts Preloaded	Yes

Electrical Characteristics

Operating Voltage	60 VAC
-------------------	--------

Body Features

Shell Plating Material	Nickel
------------------------	--------



Shell Base Material	CuZn
Circular Connector Insulation Material Type	PBT
Hermetically Sealed	No

Contact Features

Contact Current Rating (Max)	1 A
Reverse Gender	Yes
Contact Layout Arrangement	Circular
Circular Connector Contact Type	Pin

Mechanical Attachment

Connector Mounting Type	Panel Mount
Mating Retention	With

Dimensions

Assembly Length	24.4 mm
Wire Size	26 AWG

Usage Conditions

Operating Temperature Range	-40 – 80 °C[-40 – 176 °F]
-----------------------------	---------------------------

Operation/Application

Circuit Application	Signal
Shielded	No

Industry Standards

UL Flammability Rating	UL 94V-2
------------------------	----------

Packaging Features

Packaging Quantity	25
--------------------	----

Product Compliance

[For compliance documentation, visit the product page on TE.com>](#)

EU RoHS Directive 2011/65/EU	Compliant with Exemptions
EU ELV Directive 2000/53/EC	Not Yet Reviewed
China RoHS 2 Directive MIIT Order No 32, 2016	有害物质含量超出标准 Restricted Substance(s) Above Threshold
EU REACH Regulation (EC) No. 1907/2006	Current ECHA Candidate List: JUNE 2025 (250)



Candidate List Declared Against: JAN 2025 (247)

SVHC > Threshold:

Pb (4% in Component Part)

Article Safe Usage Statements:

Do not eat, drink or smoke when using this product. Wash thoroughly after handling. Recycle if possible and dispose of the article by following all applicable governmental regulations relevant to your geographic location.

Halogen Content

Low Halogen - Br, Cl, F < 900 ppm per homogenous material. Also BFR/CFR/PVC Free

Solder Process Capability

Hand solderable with lead free solder

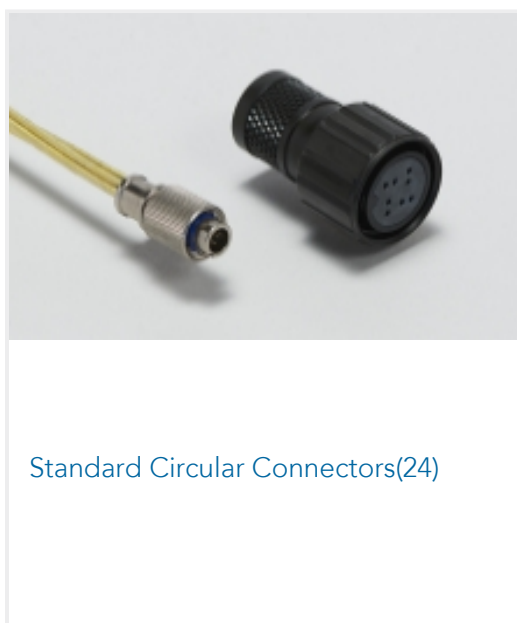
Product Compliance Disclaimer

This information is provided based on reasonable inquiry of our suppliers and represents our current actual knowledge based on the information they provided. This information is subject to change. The part numbers that TE has identified as EU RoHS compliant have a maximum concentration of 0.1% by weight in homogenous materials for lead, hexavalent chromium, mercury, PBB, PBDE, DBP, BBP, DEHP, DIBP, and 0.01% for cadmium, or qualify for an exemption to these limits as defined in the Annexes of Directive 2011/65/EU (RoHS2). Finished electrical and electronic equipment products will be CE marked as required by Directive 2011/65/EU. Components may not be CE marked. Additionally, the part numbers that TE has identified as EU ELV compliant have a maximum concentration of 0.1% by weight in homogenous materials for lead, hexavalent chromium, and mercury, and 0.01% for cadmium, or qualify for an exemption to these limits as defined in the Annexes of Directive 2000/53/EC (ELV). Regarding the REACH Regulation, the information TE provides on SVHC in articles for this part number is based on the latest European Chemicals Agency (ECHA) 'Guidance on requirements for substances in articles' posted at this URL: <https://echa.europa.eu/guidance-documents/guidance-on-reach>

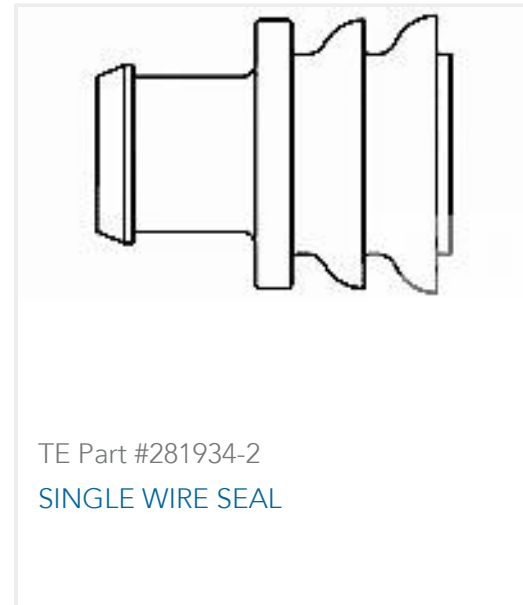
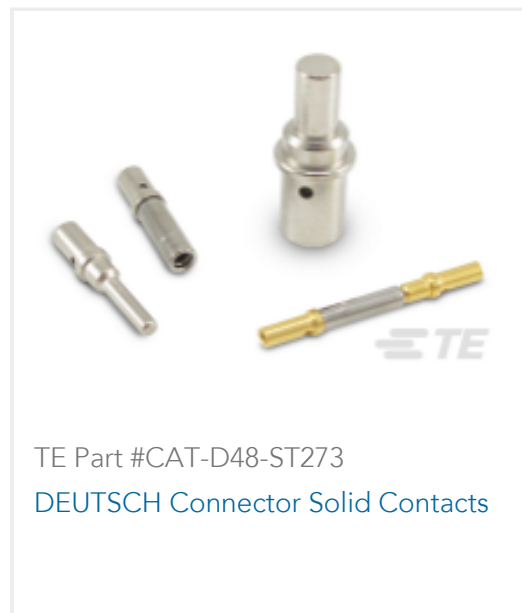
Compatible Parts



Also in the Series | Triad 01 Panel/PCB Connector



Customers Also Bought



Documents

Product Drawings

[T01-0580-P07-MALE REC PANEL MOUNT SOLDER](#)

English

[T01-0580-P07-MALE REC PANEL MOUNT SOLDER](#)

English

CAD Files

Customer View Model

[ENG_CVM_CVM_9-1437719-0_A.2d_dxf.zip](#)

English

[3D PDF](#)

3D

Customer View Model

[ENG_CVM_CVM_9-1437719-0_A.3d_igs.zip](#)

English

Customer View Model

[ENG_CVM_CVM_9-1437719-0_A.3d_stp.zip](#)

English

By downloading the CAD file I accept and agree to the [Terms and Conditions](#) of use.

Datasheets & Catalog Pages

[M8 / M12 Connector System Catalog](#)

Japanese

[M8 / M12 Connector System Catalog](#)

English

Product Specifications

9-1437719-0

Wire-to-Board, Circular Connector Plug, 7 Position, Sealable, Signal, Panel Mount,
Reverse Gender, Nickel, CuZn, PBT, Triad 01 Panel/PCB Connector



Product Specification

English