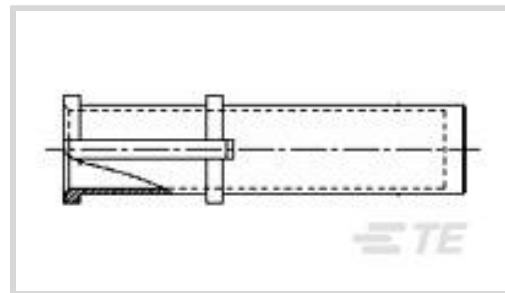




Connectors > Connector Accessories > Connector Backshells



Connector Backshell Product Style: **Unscreened**

Connector Backshell Product Type: **Backshell**

Primary Product Plating Material: **Cadmium**

Compatible With Connector Shape: **Circular**

EU RoHS Compliance: **Not Compliant**

Features

Contact Features

Primary Product Underplating Material	Electroless Nickel
---------------------------------------	--------------------

Dimensions

Product Length	15.7 mm[.61 in]
----------------	-----------------

Product Type Features

Connector Backshell Product Style	Unscreened
Connector Backshell Product Type	Backshell

Body Features

Primary Product Plating Material	Cadmium
----------------------------------	---------

Housing Features

Compatible With Connector Shape	Circular
---------------------------------	----------

Other

EU RoHS Compliance	Not Compliant
EU ELV Compliance	Not Compliant

Product Compliance

[For compliance documentation, visit the product page on TE.com>](#)

EU RoHS Directive 2011/65/EU	Not Compliant
EU ELV Directive 2000/53/EC	Not Compliant
China RoHS 2 Directive MIIT Order No 32, 2016	Restricted Materials Above Threshold



EU REACH Regulation (EC) No. 1907/2006

Current ECHA Candidate List: JUNE 2024
(241)

Candidate List Declared Against: JAN 2024
(240)

SVHC > Threshold:

Cd (3% in Plating)

Pb (.3% in Backshell)

Article Safe Usage Statements:

Use personal protective equipment as required. Do not eat, drink or smoke when using this product. Wash thoroughly after handling. Recycle if possible and dispose of the article by following all applicable governmental regulations relevant to your geographic location.

Halogen Content

Low Halogen - Br, Cl, F, I < 900 ppm per homogenous material. Also BFR/CFR/PVC Free

Solder Process Capability

Not applicable for solder process capability

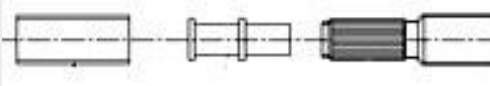
Product Compliance Disclaimer

This information is provided based on reasonable inquiry of our suppliers and represents our current actual knowledge based on the information they provided. This information is subject to change. The part numbers that TE has identified as EU RoHS compliant have a maximum concentration of 0.1% by weight in homogenous materials for lead, hexavalent chromium, mercury, PBB, PBDE, DBP, BBP, DEHP, DIBP, and 0.01% for cadmium, or qualify for an exemption to these limits as defined in the Annexes of Directive 2011/65/EU (RoHS2). Finished electrical and electronic equipment products will be CE marked as required by Directive 2011/65/EU. Components may not be CE marked. Additionally, the part numbers that TE has identified as EU ELV compliant have a maximum concentration of 0.1% by weight in homogenous materials for lead, hexavalent chromium, and mercury, and 0.01% for cadmium, or qualify for an exemption to these limits as defined in the Annexes of Directive 2000/53/EC (ELV). Regarding the REACH Regulation, the information TE provides on SVHC in articles for this part number is based on the latest European Chemicals Agency (ECHA) 'Guidance on requirements for substances in articles' posted at this URL: <https://echa.europa.eu/guidance-documents/guidance-on-reach>

Customers Also Bought



TE Part #2-2176049-0
RLP73N 1E R33 1% 1K RL




TE Part #138767-000
HET-A-03B



TE Part #620080-000
D-108-12



TE Part #38943-22L
CONT SOC ASSY



TE Part #582527-000
D-600-0125



TE Part #1153883001
100G1121-0.40-0/9-0



TE Part #144169-000
HEX54-AB-00-15-A5-1



TE Part #1879455-6
TE 1500W 2R7 5% Bracket



TE Part #ZPF0000000000003604
[724-0007-16](#)



TE Part #38943-20L
[CONT SOC ASSY](#)

Documents

Product Drawings

[HEX07-AB](#)

English

Datasheets & Catalog Pages

[HexaShield High Performance Adapters](#)

English