



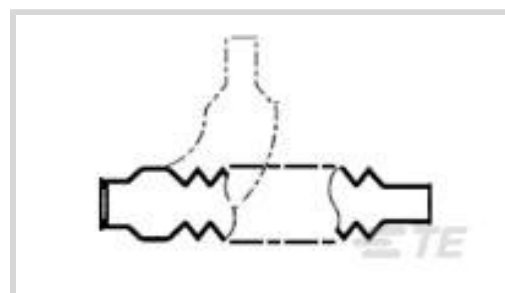
RAYCHEM

TE Internal #: 889088-000

Straight Heat Shrink Boot, 202 Shape Code, Lipped, 71 Material Code, 10 Material Systems Code, Adhesive Precoat, -55 – 135 °C [-67 – 275 °F]

[View on TE.com >](#)

Wire Protection & Management > Heat Shrink Shapes > Heat Shrink Boots > Convoluted Heat Shrink Uni Boots: Lipped, Straight



Body Orientation: **Straight**

Molded Part Shape Code: **202**

Lipped: **Yes**

Material Code: **71**

Material Systems Code: **10**

[All Convoluted Heat Shrink Uni Boots: Lipped, Straight \(59\)](#)

Features

Industry Standards

Compatible With Approved Standards Products	SAE AS I 81765/1, Type I
---	--------------------------

Dimensions

Compatible Cable Diameter (Max)	30 mm, 26 mm, 28 mm, 24 mm, 22 mm, 20 mm [1.18 in][1.02 in][1.1 in][.94 in][.78 in][.86 in]
Compatible Cable Diameter Range	17.5 – 36 mm [.689 – 1.417 in]

Body Features

Primary Product Material	Semi-Rigid Modified Polyolefin
Material Code	71
Material Systems Code	10

Configuration Features

Lipped	Yes
Adhesive Requirement	Adhesive Precoat

Housing Features

Body Orientation	Straight
------------------	----------

Usage Conditions

Operating Temperature Range	-55 – 135 °C [-67 – 275 °F]
-----------------------------	-----------------------------



Resistance Protection

Long-Term Fluid Exposure at High Temperatures

Other

Molded Part Shape Code

202

Adhesive Code

42

EU RoHS Compliance

Compliant

EU ELV Compliance

Compliant

Product Compliance

[For compliance documentation, visit the product page on TE.com>](#)

EU RoHS Directive 2011/65/EU

Compliant

EU ELV Directive 2000/53/EC

Compliant

China RoHS 2 Directive MIIT Order No 32, 2016

No Restricted Materials Above Threshold

EU REACH Regulation (EC) No. 1907/2006

Current ECHA Candidate List: JUNE 2024 (241)
 Candidate List Declared Against: JUNE 2024 (241)
 Does not contain REACH SVHC

Halogen Content

Not Low Halogen - contains Br or Cl > 900 ppm.

Solder Process Capability

Not applicable for solder process capability

Product Compliance Disclaimer

This information is provided based on reasonable inquiry of our suppliers and represents our current actual knowledge based on the information they provided. This information is subject to change. The part numbers that TE has identified as EU RoHS compliant have a maximum concentration of 0.1% by weight in homogenous materials for lead, hexavalent chromium, mercury, PBB, PBDE, DBP, BBP, DEHP, DIBP, and 0.01% for cadmium, or qualify for an exemption to these limits as defined in the Annexes of Directive 2011/65/EU (RoHS2). Finished electrical and electronic equipment products will be CE marked as required by Directive 2011/65/EU. Components may not be CE marked. Additionally, the part numbers that TE has identified as EU ELV compliant have a maximum concentration of 0.1% by weight in homogenous materials for lead, hexavalent chromium, and mercury, and 0.01% for cadmium, or qualify for an exemption to these limits as defined in the Annexes of Directive 2000/53/EC (ELV). Regarding the REACH Regulation, the information TE provides on SVHC in articles for this part number is based on the latest European Chemicals Agency (ECHA) 'Guidance on requirements for substances in articles' posted at this URL: <https://echa.europa.eu/guidance-documents/guidance-on-reach>

Customers Also Bought



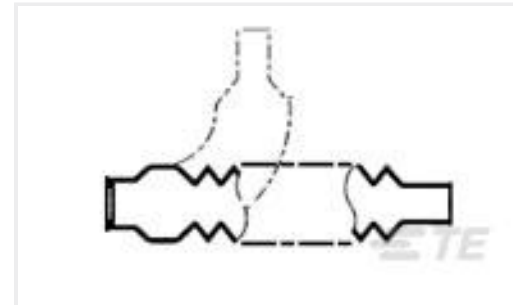
TE Part #33476
PIDG RECT 22-16COMM 22-18MIL 6



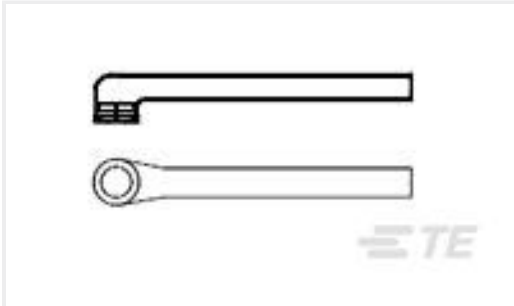
TE Part #34105
SOLIS R 22-16 COMM 22-18 MIL 6



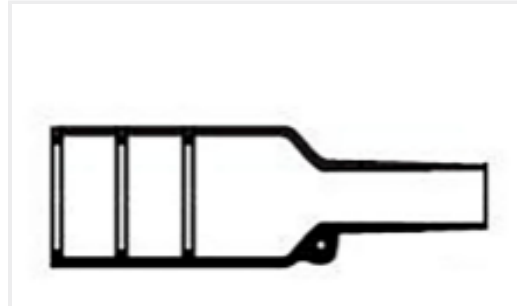
TE Part #292304-1
STD USB TYPE B, R/A, T/H



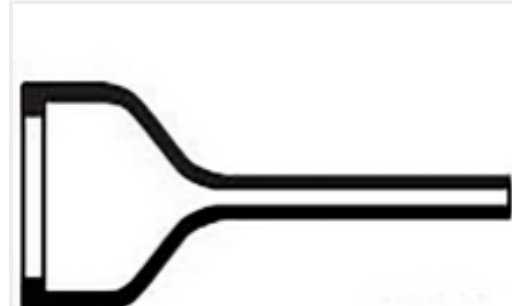
TE Part #878815-000
202C611-71/42-0



TE Part #808285-000
22D232-3-0



TE Part #CAT-R21-731072
Bulbous Heat Shrink Boots: Lipped,
Straight



TE Part #CAT-R21-73107237
Heat Shrink Boots: Lipped, Straight

Documents

Product Drawings

[202C642-71/42-0](#)

English

Datasheets & Catalog Pages

[1654025_Sec4_-71](#)

English

Raychem Molded Parts Visual Guide

English

Product Specifications

[Product Specification](#)

English