



RAYCHEM | RAYCHEM TXR

TE Internal #: 880089-000

Ruggedized, Backshell, .2 – 15.9 mm [.01 – .63 in] Cable Entry, Aluminum, Straight, 20 Shell Size, 10 Entry Size, RAYCHEM TXR

[View on TE.com >](#)

Connectors > Connector Accessories > Connector Backshells



Connector Backshell Product Style: **Ruggedized**

Connector Backshell Product Type: **Backshell**

Cable Entry Diameter: **.2 – 15.9 mm [.01 – .63 in]**

Primary Product Material: **Aluminum**

Body Orientation: **Straight**

## Features

### Product Type Features

Termination Device Included	TR10AI
Connector Backshell Product Style	Ruggedized
Connector Backshell Product Type	Backshell
Termination Device Type	Side-Entry Tinel-Lock Ring, Tinel-Lock Adapter, Tinel-Lock Ring

### Body Features

Primary Product Color	Olive Drab
Primary Product Material	Aluminum
Primary Product Plating Material	Cadmium (AMS-QQ-P-416, Type II, Class 3)

### Housing Features

Body Orientation	Straight
Compatible With Connector Shape	Circular

### Dimensions

Product Length	30.4 mm[1.196 in]
Compatible Cable Diameter Range	7.9 – 12.7 mm[.313 – .5 in]
Cable Entry Diameter	.2 – 15.9 mm[.01 – .63 in]

### Usage Conditions

Salt Spray Resistance	500 Hr
-----------------------	--------



Operating Temperature Range -65 – 175 °C[-85 – 347 °F]

**Operation/Application**

Compatible With Connector Shell Size 20

**Industry Standards**

Connector Detail Specification Number MS3110, MS3111, MS3116, MS3120, MS3121, MS3126, MS3128

**Other**

TE Connector Interface Code 21

Entry Size Code 10

**Product Compliance**

[For compliance documentation, visit the product page on TE.com>](#)

EU RoHS Directive 2011/65/EU Not Compliant

EU ELV Directive 2000/53/EC Not Compliant

China RoHS 2 Directive MIIT Order No 32, 2016 Restricted Materials Above Threshold

EU REACH Regulation (EC) No. 1907/2006  
 Current ECHA Candidate List: JUNE 2025 (250)  
 Candidate List Declared Against: JUL 2021 (219)  
 SVHC > Threshold:  
 Pb (.3% in BODY & NUT)  
 Cd (3% in BODY & NUT)  
**Article Safe Usage Statements:**  
 Use personal protective equipment as required. Do not eat, drink or smoke when using this product. Wash thoroughly after handling. Recycle if possible and dispose of the article by following all applicable governmental regulations relevant to your geographic location.

Halogen Content Low Halogen - Br, Cl, F < 900 ppm per homogenous material. Also BFR/CFR/PVC Free

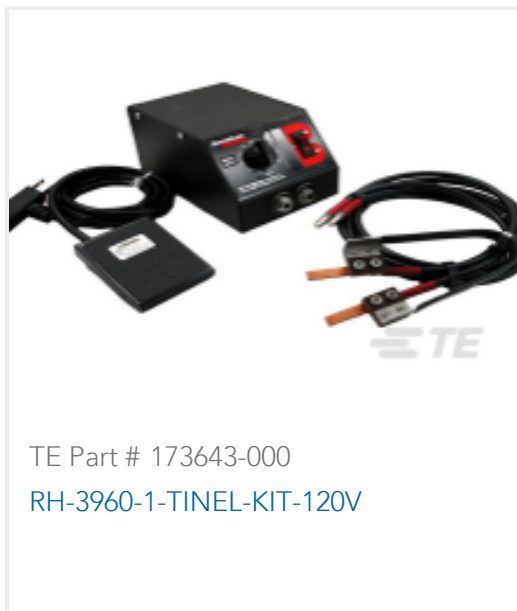
Solder Process Capability Not applicable for solder process capability

**Product Compliance Disclaimer**

This information is provided based on reasonable inquiry of our suppliers and represents our current actual knowledge based on the information they provided. This information is subject to change. The part numbers that TE has identified as EU RoHS compliant have a maximum concentration of 0.1% by weight in homogenous materials for lead, hexavalent chromium, mercury, PBB, PBDE, DBP, BBP, DEHP, DIBP, and 0.01% for cadmium, or qualify for an exemption to these limits as defined in the Annexes of Directive 2011/65/EU (RoHS2). Finished electrical and electronic equipment products will be CE marked as required by Directive 2011/65/EU. Components may not be CE marked. Additionally, the part numbers that TE has identified as EU ELV compliant have a maximum concentration of 0.1% by weight in homogenous materials for lead, hexavalent chromium, and mercury, and 0.01% for cadmium, or qualify for an exemption to these limits as defined in the Annexes of Directive 2000/53/EC (ELV). Regarding the REACH Regulation, the information TE provides on SVHC in articles for this part number is based on the latest European Chemicals Agency (ECHA) 'Guidance on requirements for substances in articles' posted at this URL: <https://echa.europa.eu/guidance-documents/guidance-on-reach>



## Compatible Parts



TE Part # 173643-000  
RH-3960-1-TINEL-KIT-120V

## Also in the Series | RAYCHEM TXR



Circular Connector Backshells & Clamps(2035)



Connector Backshells(2035)



Ruggedized Backshells & Adapters (2035)

## Customers Also Bought



TE Part #DT04-2P  
REC, 2P, GRY, N



TE Part #CAT-D487-W416  
Wedgelocks: DEUTSCH DT



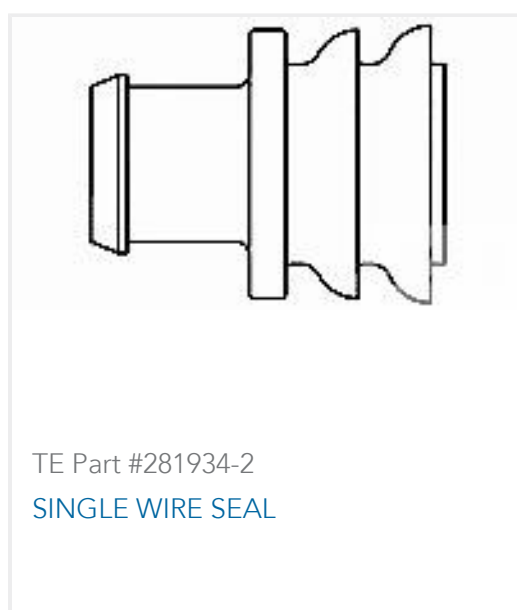
TE Part #CAT-D48-ST273  
DEUTSCH Solid Contacts



TE Part #DT06-2S  
PLG, 2P, GRY, N



TE Part #114017-ZZ  
SEALING PLUG, SIZE 12/16, WHT



TE Part #281934-2  
SINGLE WIRE SEAL



TE Part #CAT-AM71-CH8172  
AMP SUPERSEAL 1.5MM,  
CONNECTOR HOUSING

## Documents

[Product Drawings](#)  
[TXR21AB00-2010AI](#)

English

[CAD Files](#)



### 3D PDF

3D

#### Customer View Model

[ENG\\_CVM\\_CVM\\_880089-000\\_O.2d\\_dxf.zip](#)

English

#### Customer View Model

[ENG\\_CVM\\_CVM\\_880089-000\\_O.3d\\_igs.zip](#)

English

#### Customer View Model

[ENG\\_CVM\\_CVM\\_880089-000\\_O.3d\\_stp.zip](#)

English

By downloading the CAD file I accept and agree to the [Terms and Conditions](#) of use.

### Datasheets & Catalog Pages

#### [5-1654025-5\\_sec6\\_Adapters](#)

English

#### [Circular Backshells](#)

English

### Product Specifications

#### [General Information Package for Tinel-Lock Adapters](#)

English

#### [Product Specification](#)

English

#### [Braid termination using a Tinel Lock Ring installed using a resistance heater.](#)

French

#### [Braid termination using a Tinel Lock Ring installed using a resistance heater.](#)

English

#### [PERFORMANCE SPECIFICATION Tinel-Lock Rings, Heat Recoverable for Braid Termination](#)

English

#### [ASSEMBLY GUIDE for Tinel -Lock Rings, Heat Recoverable for Braid Temination](#)

English

### Instruction Sheets

#### [Instruction Sheet \(U.S.\)](#)

English