

Product Compliance

[For compliance documentation, visit the product page on TE.com>](#)

EU RoHS Directive 2011/65/EU	Compliant
EU ELV Directive 2000/53/EC	Compliant
China RoHS 2 Directive MIIT Order No 32, 2016	No Restricted Materials Above Threshold
EU REACH Regulation (EC) No. 1907/2006	Current ECHA Candidate List: JUNE 2024 (241) Candidate List Declared Against: JUNE 2024 (241) Does not contain REACH SVHC
Halogen Content	Low Halogen - Br, Cl, F, I < 900 ppm per homogenous material. Also BFR/CFR/PVC Free
Solder Process Capability	Not applicable for solder process capability

Product Compliance Disclaimer

This information is provided based on reasonable inquiry of our suppliers and represents our current actual knowledge based on the information they provided. This information is subject to change. The part numbers that TE has identified as EU RoHS compliant have a maximum concentration of 0.1% by weight in homogenous materials for lead, hexavalent chromium, mercury, PBB, PBDE, DBP, BBP, DEHP, DIBP, and 0.01% for cadmium, or qualify for an exemption to these limits as defined in the Annexes of Directive 2011/65/EU (RoHS2). Finished electrical and electronic equipment products will be CE marked as required by Directive 2011/65/EU. Components may not be CE marked. Additionally, the part numbers that TE has identified as EU ELV compliant have a maximum concentration of 0.1% by weight in homogenous materials for lead, hexavalent chromium, and mercury, and 0.01% for cadmium, or qualify for an exemption to these limits as defined in the Annexes of Directive 2000/53/EC (ELV). Regarding the REACH Regulation, the information TE provides on SVHC in articles for this part number is based on the latest European Chemicals Agency (ECHA) 'Guidance on requirements for substances in articles' posted at this URL: <https://echa.europa.eu/guidance-documents/guidance-on-reach>

Compatible Parts



TE Part # 2150378-1
OCEAN_2.0_Applicator-E-110F170F-REM

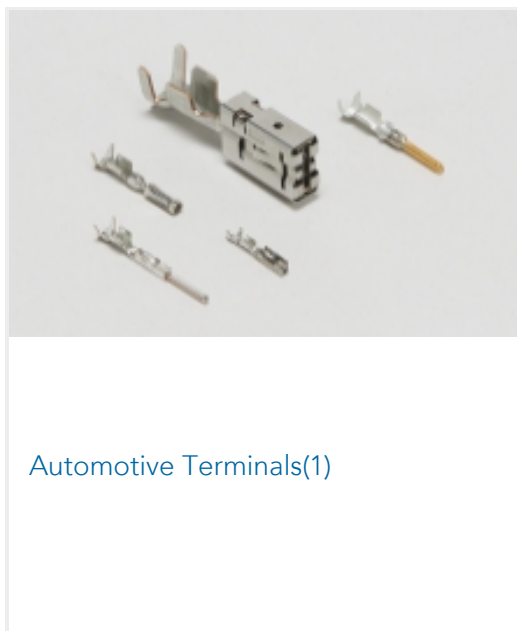


TE Part # 7-2150378-7
OCEAN_2.0_SPARE_PART_KIT-110F170F

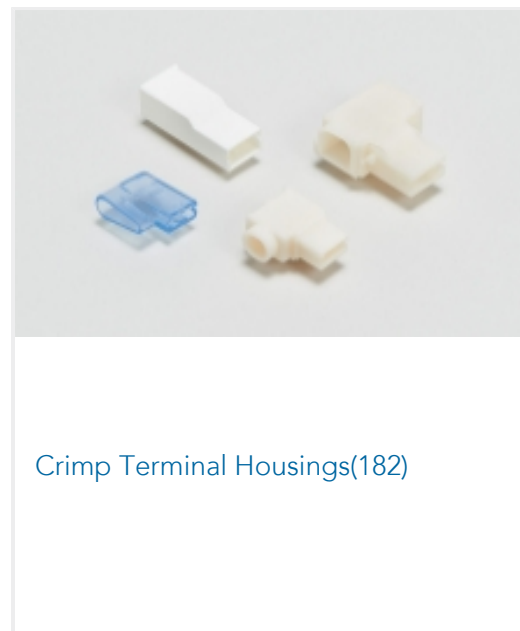


TE Part # 2150378-2
OCEAN_2.0_Applicator-E-110F170F-REA

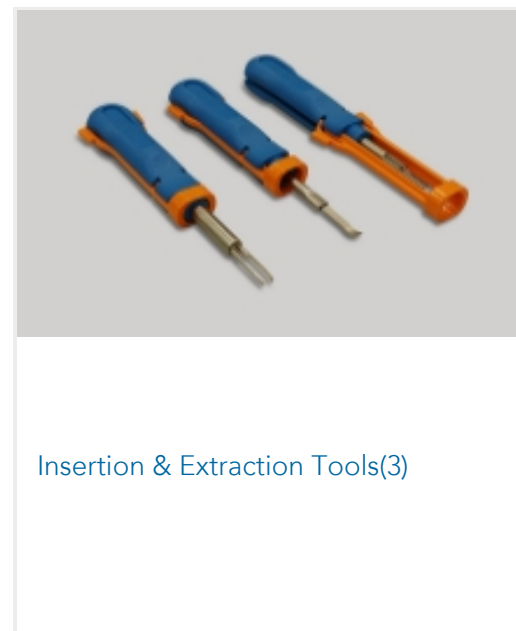
Also in the Series | Positive Lock 250



Automotive Terminals(1)



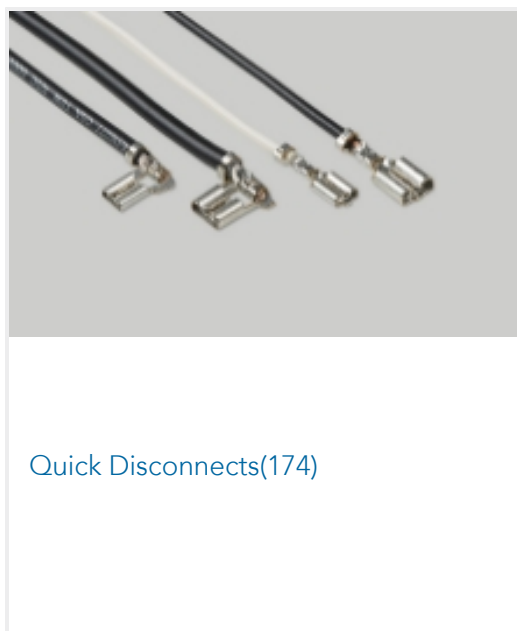
Crimp Terminal Housings(182)



Insertion & Extraction Tools(3)



Insulation Boots & Sleeves(5)



Quick Disconnects(174)

Customers Also Bought



TE Part #1-1452920-1
COVER ASSY FOR 30 POS EPB CONN



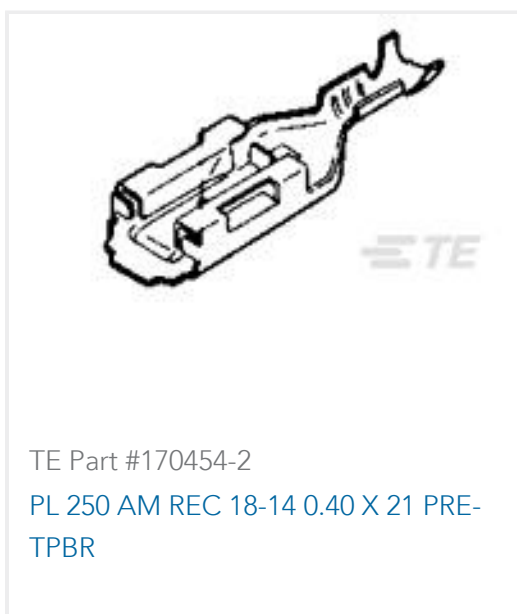
TE Part #1801433-1
RCPT CONT, 8MM NG1+, MAXIFUSE, 7-10 MM2



TE Part #1544964-1
8MM NG1+ TERMINAL



TE Part #1452915-2
30POS MIXED MQS REC SEALED



TE Part #170454-2
PL 250 AM REC 18-14 0.40 X 21 PRE-TPBR



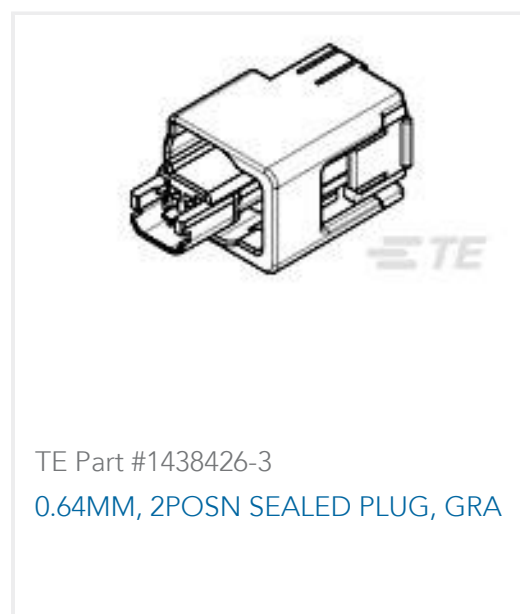
TE Part #1452187-1
1X10 GET ASSY, UNSLD FEM KEY A



TE Part #1827120-1
SQUIB LOCKING BUTTON



TE Part #1801431-1
RCPT CONT, 8MM NG1+, MAXIFUSE, 2.5-4 MM2



Documents

Product Drawings

[250 P.LOCK REC](#)

English

CAD Files

[3D PDF](#)

3D

Customer View Model

[ENG_CVM_CVM_85069-2_C.2d_dxf.zip](#)

English

Customer View Model

[ENG_CVM_CVM_85069-2_C.3d_igs.zip](#)

English

Customer View Model

[ENG_CVM_CVM_85069-2_C.3d_stp.zip](#)

English

By downloading the CAD file I accept and agree to the [Terms and Conditions](#) of use.

Product Specifications

[Crimping of 250 Series, Automotive Positive Lock Receptacle Contact](#)

English

[Application Specification](#)

English