



Connectors > RF Connectors > Coax Connectors



RF Interface: **TNC**

RF Connector Style: **Jack**

RF Connector Mated Outer Diameter (Approximate): **16.26 mm [.64 in]**

Impedance: **50 Ω**

Compatible With RF Cable Type: **RG 196, RG 188, RG 174, RG 178, RG 316**

Features

Other

Coupling Nut Base Material	Brass
Dielectric Material	PTFE
EU RoHS Compliance	Not Compliant
EU ELV Compliance	Not Compliant

Contact Features

RF Connector Center Contact Underplating Material	Nickel
RF Connector Center Contact Plating Material	Gold
RF Connector Center Contact Material	Beryllium Copper

Dimensions

Panel Thickness (Recommended)	3.2 mm[.126 in]
RF Connector Mated Outer Diameter (Approximate)	16.26 mm[.64 in]

Product Type Features

RF Interface	TNC
RF Connector Style	Jack
Compatible With RF Cable Type	RG 196, RG 188, RG 174, RG 178, RG 316
Connector & Contact Terminates To	Wire & Cable

Electrical Characteristics

Impedance	50 Ω
-----------	------



Body Features

Cable Connector Orientation	Straight
Body Material	Brass/Beryllium Copper
Body Plating Material	Nickel

Termination Features

Termination Method to Wire & Cable	Solder
------------------------------------	--------

Packaging Features

Packaging Method	Box
------------------	-----

Product Compliance

[For compliance documentation, visit the product page on TE.com>](#)

EU RoHS Directive 2011/65/EU	Not Compliant
EU ELV Directive 2000/53/EC	Not Compliant
China RoHS 2 Directive MIIT Order No 32, 2016	Restricted Materials Above Threshold
EU REACH Regulation (EC) No. 1907/2006	Current ECHA Candidate List: JUNE 2024 (241) Candidate List Declared Against: JUNE 2024 (241) SVHC > Threshold: Pb (37% in Solder) Article Safe Usage Statements: Do not eat, drink or smoke when using this product. Wash thoroughly after handling. Recycle if possible and dispose of the article by following all applicable governmental regulations relevant to your geographic location.
Halogen Content	Low Bromine/Chlorine - Br and Cl < 900 ppm per homogenous material. Also BFR /CFR/PVC Free
Solder Process Capability	Not applicable for solder process capability

Product Compliance Disclaimer

This information is provided based on reasonable inquiry of our suppliers and represents our current actual knowledge based on the information they provided. This information is subject to change. The part numbers that TE has identified as EU RoHS compliant have a maximum concentration of 0.1% by weight in homogenous materials for lead, hexavalent chromium, mercury, PBB, PBDE, DBP, BBP, DEHP, DIBP, and 0.01% for cadmium, or qualify for an exemption to these limits as defined in the Annexes of Directive 2011/65/EU (RoHS2). Finished electrical and electronic equipment products will be CE marked as required by Directive 2011/65/EU. Components may not be CE marked. Additionally, the part numbers that TE has identified as EU ELV compliant have a maximum concentration of 0.1% by weight in homogenous materials for lead, hexavalent chromium, and mercury, and 0.01% for cadmium, or qualify for an exemption to these limits as defined in the Annexes of Directive 2000/53/EC (ELV). Regarding the REACH Regulation, the information TE provides on SVHC in articles for this part number is based on the latest European Chemicals Agency (ECHA) 'Guidance on requirements for substances in articles' posted at this URL: <https://echa.europa.eu/guidance-documents/guidance-on-reach>

Compatible Parts



TE Part # EG8162-000
HL1920E-230V-EURO

Also in the Series | RTD



Coax Connectors(22)



Connector Contacts(1)



Standard Labels(14)

Customers Also Bought



TE Part #DT04-2P
REC, 2P, GRY, N



TE Part #DT06-2S
PLG, 2P, GRY, N



TE Part #CAT-D487-W416
Wedgelocks: DEUTSCH DT



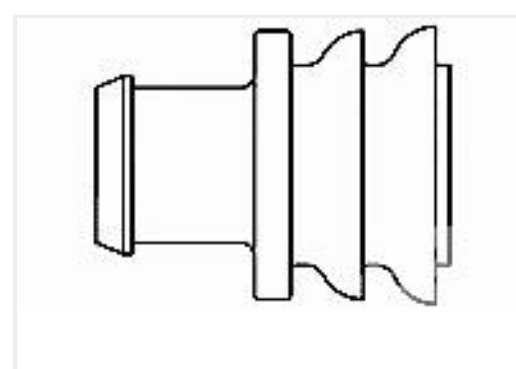
TE Part #CAT-D48-ST273
DEUTSCH Solid Contacts



TE Part #CAT-AM71-CH8172
AMP SUPERSEAL 1.5MM,
CONNECTOR HOUSING



TE Part #114017-ZZ
SEALING PLUG, SIZE 12/16, WHT



TE Part #281934-2
SINGLE WIRE SEAL

Documents

Product Drawings

[RTD-50-S-04](#)

English

Datasheets & Catalog Pages

[1654025_Sec8_BNC_TNC](#)

English



[Harness Repair Products Quick Reference Guide](#)

English

[Product Specifications](#)

[Installation Procedure for RF-One Step BNC and TNC Connector](#)

English