

# TMS-SCE-2X-1K-1/2-4 ✓ ACTIVE



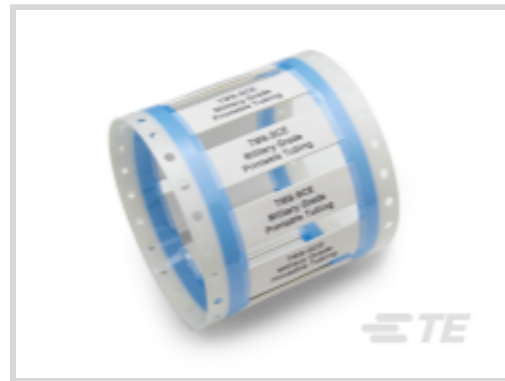
## TMS-SCE-2X

TE Internal #: 837277-000

Ladder, Military, 2:1, Yellow, 1 Markers per Sleeve, 50 mm [2 in] Length, 12.7 mm [.5 in] Expanded Inside, TMS-SCE-2X, Printable Tubing

[View on TE.com >](#)

Identification & Labeling > Printable Tubing > Military Grade Sleeves TMS-SCE-2X



Printable Tubing Type: **Ladder**

Printable Tubing Grade: **Military**

Shrink Ratio: **2:1**

Primary Product Color: **Yellow**

Markers per Sleeve: **1**

[All Military Grade Sleeves TMS-SCE-2X \(31\)](#)

## Features

### Printer/Label Features

Printer Technology	Thermal Transfer
--------------------	------------------

### Packaging Features

Packaging Quantity	1000
--------------------	------

### Product Type Features

Printable Tubing Type	Ladder
Printable Tubing Grade	Military

### Body Features

Shrink Ratio	2:1
Primary Product Color	Yellow
Markers per Sleeve	1

### Dimensions

Product Length	50 mm[2 in]
Expanded Inside Diameter (Min)	12.7 mm[.5 in]
Recovered Inside Diameter (Max)	6.35 mm[.25 in]
Compatible Cable Diameter Range	4.6 – 10.7 mm[.183 – .425 in]



**Usage Conditions**

Operating Temperature Range	-55 – 135 °C[-67 – 275 °F]
-----------------------------	----------------------------

**Other**

EU RoHS Compliance	Compliant
EU ELV Compliance	Compliant

**Product Compliance**

[For compliance documentation, visit the product page on TE.com>](#)

EU RoHS Directive 2011/65/EU	Compliant
EU ELV Directive 2000/53/EC	Compliant
China RoHS 2 Directive MIIT Order No 32, 2016	No Restricted Materials Above Threshold
EU REACH Regulation (EC) No. 1907/2006	Current ECHA Candidate List: JUNE 2024 (241) Candidate List Declared Against: JUNE 2024 (241) Does not contain REACH SVHC
Halogen Content	Not Low Halogen - contains Br or Cl > 900 ppm.
Solder Process Capability	Not applicable for solder process capability

**Product Compliance Disclaimer**

This information is provided based on reasonable inquiry of our suppliers and represents our current actual knowledge based on the information they provided. This information is subject to change. The part numbers that TE has identified as EU RoHS compliant have a maximum concentration of 0.1% by weight in homogenous materials for lead, hexavalent chromium, mercury, PBB, PBDE, DBP, BBP, DEHP, DIBP, and 0.01% for cadmium, or qualify for an exemption to these limits as defined in the Annexes of Directive 2011/65/EU (RoHS2). Finished electrical and electronic equipment products will be CE marked as required by Directive 2011/65/EU. Components may not be CE marked. Additionally, the part numbers that TE has identified as EU ELV compliant have a maximum concentration of 0.1% by weight in homogenous materials for lead, hexavalent chromium, and mercury, and 0.01% for cadmium, or qualify for an exemption to these limits as defined in the Annexes of Directive 2000/53/EC (ELV). Regarding the REACH Regulation, the information TE provides on SVHC in articles for this part number is based on the latest European Chemicals Agency (ECHA) 'Guidance on requirements for substances in articles' posted at this URL: <https://echa.europa.eu/guidance-documents/guidance-on-reach>

**Compatible Parts**



TE Part # 1-2186503-1  
T3224-SWARE-PRINTER



TE Part # 1-2186500-1  
T3212-PRINTER



TE Part # 1-2186502-1  
T3224-PRINTER



TE Part # 1-2186501-1  
T3212-SWARE-PRINTER

### Also in the Series | TMS-SCE-2X



Printable Tubing(31)

### Customers Also Bought



TE Part #2820303009  
44A0111-22-0



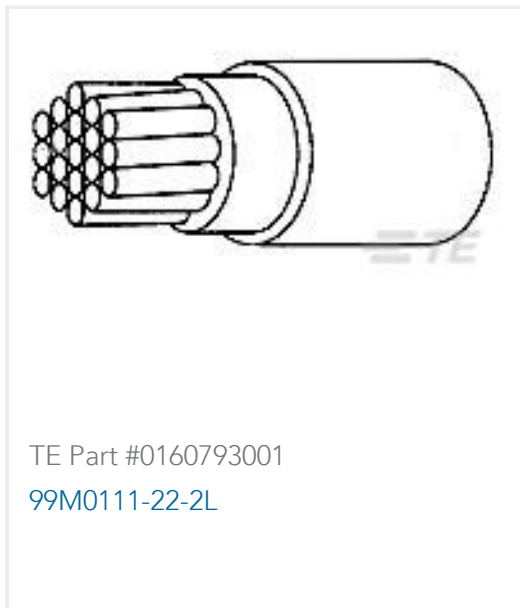
TE Part #CAT-T3437-T548  
TMS-SCE Military Grade Sleeves



TE Part #699692-000  
MTC100-JH1-P12



TE Part #011083-000  
82A0111-8-9



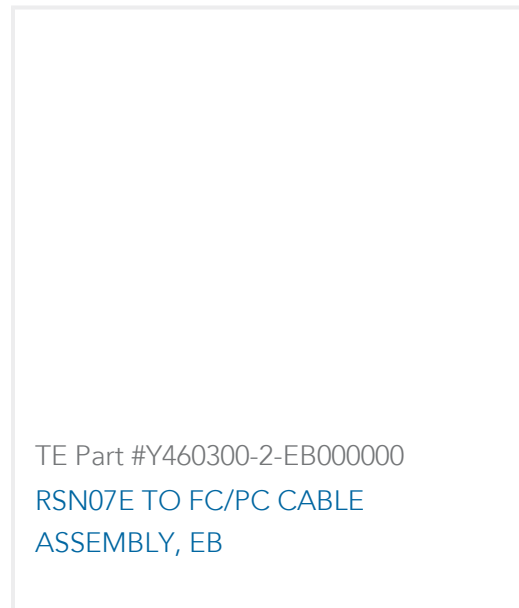
TE Part #0160793001  
99M0111-22-2L



TE Part #CAT-T3437-T548A  
Military Grade Sleeves TMS-SCE-2X



TE Part #1-66506-0  
PIN CONTACT, 20 DF



TE Part #Y460300-2-EB000000  
RSN07E TO FC/PC CABLE  
ASSEMBLY, EB

### Documents

[Product Drawings](#)  
[TMS-SCE-2X-1K-1/2-4](#)

English

[Datasheets & Catalog Pages](#)  
[IDENTIFICATION SELECTION GUIDE](#)

English



### TMS-SCE Heat Shrinkable Sleeves

English

### Cable Identification Product Shelf Life

English

---

### Product Specifications

#### Product Specification

English

### IDENTIFICATION PRINTER PRODUCT RIBBON MATRIX

English

---

### Instruction Sheets

#### Instruction Sheet (non U.S.)

English