



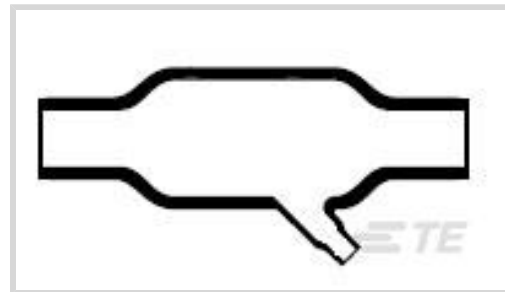
RAYCHEM

TE Internal #: 821013-000

Y Shape Cable Transition, 3 Branches , 12 Material Code, 200
Material Systems Code, -67 – 392 °C, S1125 / S1255-04 Adhesive
Code

[View on TE.com >](#)

Wire Protection & Management > Heat Shrink Shapes > Cable Transitions & Breakouts



Molded Part Shape: **Y Shape**

Number of Branches & Legs: **3**

Material Code: **12**

Material Systems Code: **200**

Adhesive Requirement: **Adhesive Purchased Separately**

Features

Dimensions

Inside Diameter Range (Leg 2)	3 – 6.6 mm [.12 – .26 in]
Inside Diameter Range (Leg 1)	3 – 6.6 mm [.12 – .26 in]
Inside Diameter Range (Body)	6.1 – 13.2 mm [.24 – .52 in]

Other

Molded Part Shape Code	342A
Size Code	112
Adhesive Code	S1255-04, S1125
EU RoHS Compliance	Compliant
EU ELV Compliance	Compliant

Body Features

Primary Product Material	Modified Fluoro-Elastomer
Material Code	12
Material Systems Code	200

Product Type Features

Molded Part Shape	Y Shape
-------------------	---------

Configuration Features

Number of Branches & Legs	3
Adhesive Requirement	Adhesive Purchased Separately



Usage Conditions

Operating Temperature Range	-67 – 392 °C
Resistance Protection	Long-Term Fluid Immersion at High Temperatures

Product Compliance

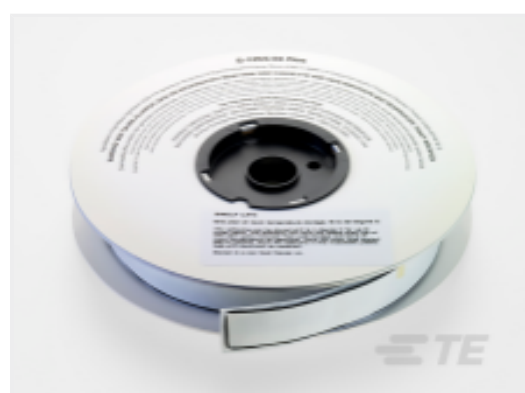
[For compliance documentation, visit the product page on TE.com>](#)

EU RoHS Directive 2011/65/EU	Compliant
EU ELV Directive 2000/53/EC	Compliant
China RoHS 2 Directive MIIT Order No 32, 2016	No Restricted Materials Above Threshold
EU REACH Regulation (EC) No. 1907/2006	Current ECHA Candidate List: JUNE 2024 (241) Candidate List Declared Against: JUNE 2024 (241) Does not contain REACH SVHC
Halogen Content	Low Bromine/Chlorine - Br and Cl < 900 ppm per homogenous material. Also BFR /CFR/PVC Free
Solder Process Capability	Not applicable for solder process capability

Product Compliance Disclaimer

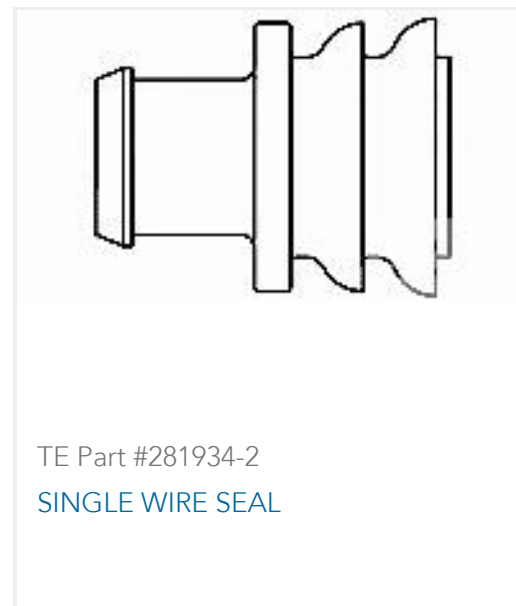
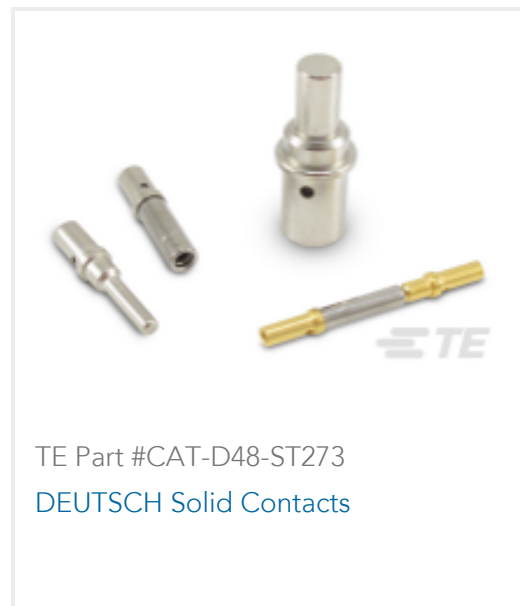
This information is provided based on reasonable inquiry of our suppliers and represents our current actual knowledge based on the information they provided. This information is subject to change. The part numbers that TE has identified as EU RoHS compliant have a maximum concentration of 0.1% by weight in homogenous materials for lead, hexavalent chromium, mercury, PBB, PBDE, DBP, BBP, DEHP, DIBP, and 0.01% for cadmium, or qualify for an exemption to these limits as defined in the Annexes of Directive 2011/65/EU (RoHS2). Finished electrical and electronic equipment products will be CE marked as required by Directive 2011/65/EU. Components may not be CE marked. Additionally, the part numbers that TE has identified as EU ELV compliant have a maximum concentration of 0.1% by weight in homogenous materials for lead, hexavalent chromium, and mercury, and 0.01% for cadmium, or qualify for an exemption to these limits as defined in the Annexes of Directive 2000/53/EC (ELV). Regarding the REACH Regulation, the information TE provides on SVHC in articles for this part number is based on the latest European Chemicals Agency (ECHA) 'Guidance on requirements for substances in articles' posted at this URL: <https://echa.europa.eu/guidance-documents/guidance-on-reach>

Compatible Parts



TE Part # 195133-000
S1255-04-3/4X100FT

Customers Also Bought



Documents

Product Drawings

342A112-12-0

English

Datasheets & Catalog Pages

1654025_Sec4_-12

English

Raychem Molded Parts Visual Guide

English

Product Specifications

Product Specification

English