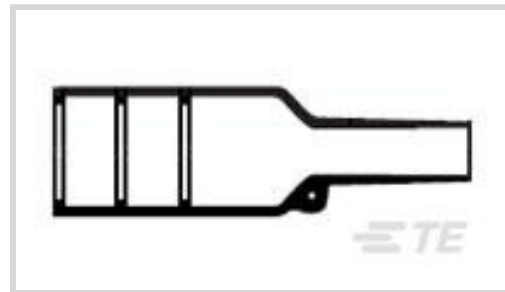




Wire Protection & Management > Heat Shrink Shapes > Heat Shrink Boots > Bulbous Heat Shrink Boots: Lipped, Straight



Body Orientation: **Straight**

Molded Part Shape Code: **202**

Lipped: **Yes**

Material Code: **12**

Material Systems Code: **200**

[All Bulbous Heat Shrink Boots: Lipped, Straight \(360\)](#)

Features

Industry Standards

Compatible With Approved Standards Products	DEF Std 59-97 Issue 3 Type DD, SAE AS I 81765/4, BS-G-198-5-DD
---	--

Dimensions

Compatible Cable Diameter (Max)	8 mm, 9 mm, 10 mm, 11 mm [.39 in][.314 in][.43 in][.35 in]
Compatible Cable Diameter Range	7.1 – 16 mm [7.1 – 16 in]

Body Features

Primary Product Material	Modified Fluoro-Elastomer
Material Code	12
Material Systems Code	200

Configuration Features

Lipped	Yes
Adhesive Requirement	Adhesive Purchased Separately

Housing Features

Body Orientation	Straight
------------------	----------

Usage Conditions

Operating Temperature Range	-67 – 392 °C
-----------------------------	--------------



Resistance Protection

Long-Term Fluid Immersion at High Temperatures

Other

Molded Part Shape Code

202

EU RoHS Compliance

Compliant

EU ELV Compliance

Compliant

Product Compliance

[For compliance documentation, visit the product page on TE.com>](#)

EU RoHS Directive 2011/65/EU

Compliant

EU ELV Directive 2000/53/EC

Compliant

China RoHS 2 Directive MIIT Order No 32, 2016

No Restricted Materials Above Threshold

EU REACH Regulation (EC) No. 1907/2006

Current ECHA Candidate List: JUNE 2024 (241)
 Candidate List Declared Against: JUNE 2024 (241)
 Does not contain REACH SVHC

Halogen Content

Low Bromine/Chlorine - Br and Cl < 900 ppm per homogenous material. Also BFR /CFR/PVC Free

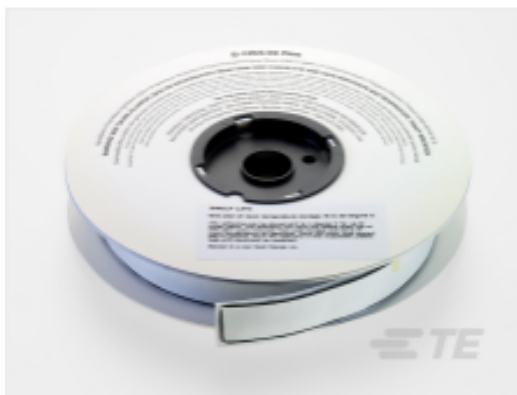
Solder Process Capability

Not applicable for solder process capability

Product Compliance Disclaimer

This information is provided based on reasonable inquiry of our suppliers and represents our current actual knowledge based on the information they provided. This information is subject to change. The part numbers that TE has identified as EU RoHS compliant have a maximum concentration of 0.1% by weight in homogenous materials for lead, hexavalent chromium, mercury, PBB, PBDE, DBP, BBP, DEHP, DIBP, and 0.01% for cadmium, or qualify for an exemption to these limits as defined in the Annexes of Directive 2011/65/EU (RoHS2). Finished electrical and electronic equipment products will be CE marked as required by Directive 2011/65/EU. Components may not be CE marked. Additionally, the part numbers that TE has identified as EU ELV compliant have a maximum concentration of 0.1% by weight in homogenous materials for lead, hexavalent chromium, and mercury, and 0.01% for cadmium, or qualify for an exemption to these limits as defined in the Annexes of Directive 2000/53/EC (ELV). Regarding the REACH Regulation, the information TE provides on SVHC in articles for this part number is based on the latest European Chemicals Agency (ECHA) 'Guidance on requirements for substances in articles' posted at this URL: <https://echa.europa.eu/guidance-documents/guidance-on-reach>

Compatible Parts



TE Part # 195133-000
S1255-04-3/4X100FT

Customers Also Bought



TE Part #AS616-08PN
PLUG BOOT TERMIN'N TYPE 6



TE Part #2161213004
55A0111-16-2



TE Part #ASL106-05PB-HE
RECEPT.ASSY. IN-LINE.AS MICRO
MK3



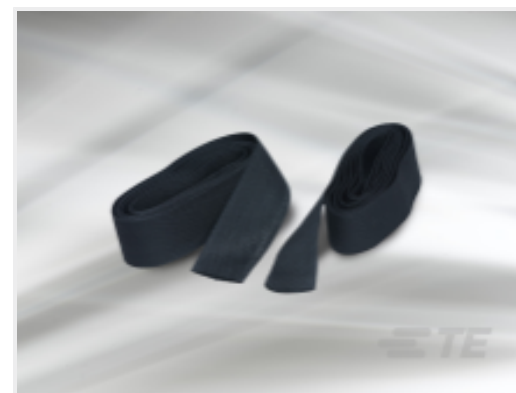
TE Part #878183-000
222K132-12-0



TE Part #AS612-98PN
PLUG BOOT TERMIN'N TYPE 6



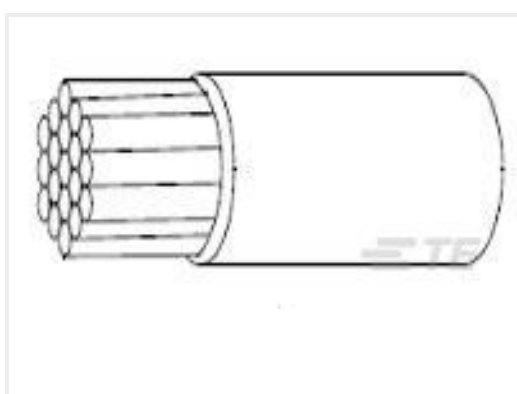
TE Part #2355148-1
SLEEVE,IPT 3P SHIELDING



TE Part #CH01464002
HFT5000-4/2-0-SP



TE Part #2141784-2
2POS,RING TONGUE,HSG,ASSY,
SEALED



TE Part #D848883001
55A0111-20-2CK0001



TE Part #2141783-2
3POS,RING TONGUE,HSG,ASSY,
SEALED

Documents

Product Drawings

[202K142-12-0](#)

English

Datasheets & Catalog Pages

[1654025_Sec4_-12](#)

English

Raychem Molded Parts Visual Guide

English



Product Specifications

Product Specification

English