

8-640917-1 ✓ ACTIVE

FASTON | FASTON 187

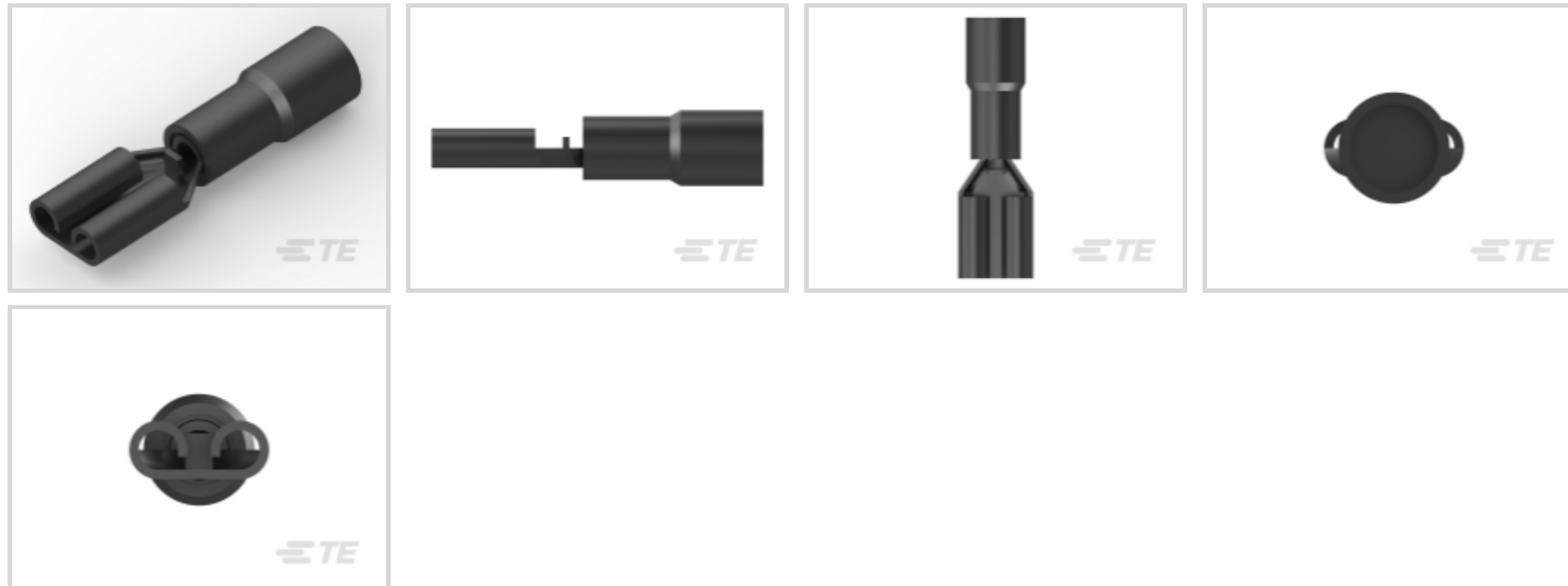
TE Internal #: 8-640917-1

Quick Disconnect Receptacle, 22 – 18 AWG, .26 – .96 mm² Wire, 509 – 1900 CMA, 4.75 mm [.187 in] Tab Width, Straight, Brass, Tin Plating, FASTON 187

[View on TE.com >](#)



Terminals & Splices > Quick Disconnects



Quick Disconnect Terminal Type: **Receptacle**

Wire Size: **509 – 1900 CMA**

Mating Tab Width: **4.75 mm [.187 in]**

Features

Industry Standards

Compatible With Agency/Standards Products

RU (UL Component Program), CSA

Termination Features

Product Terminates To

Wire & Cable

Electrical Characteristics

Voltage Rating

300 V

Body Features

Insulation Material

Nylon

Mechanical Attachment

Wire Insulation Support

With

Mating Retention Type

Dimple

Other

Barrel Color

Red

EU RoHS Compliance

Compliant

EU ELV Compliance

Compliant

Product Type Features



Terminal Features	Wire Stop
-------------------	-----------

Insertion Force	Normal
-----------------	--------

Packaging Features

Packaging Quantity	100
--------------------	-----

Packaging Method	Loose Piece
------------------	-------------

Dimensions

Product Length	20.36 mm[.8 in]
----------------	-----------------

Compatible Insulation Diameter Range	3.43 mm[.135 in]
--------------------------------------	------------------

Wire Size	509 – 1900 CMA
-----------	----------------

Contact Features

Quick Disconnect Terminal Type	Receptacle
--------------------------------	------------

Mating Tab Width	4.75 mm[.187 in]
------------------	------------------

Mating Tab Thickness	.51 mm[.02 in]
----------------------	----------------

Terminal Orientation	Straight
----------------------	----------

Contact Base Material	Brass
-----------------------	-------

Terminal Plating Material	Tin
---------------------------	-----

Crimp Type	Compression Crimp
------------	-------------------

Barrel Type	Closed
-------------	--------

Usage Conditions

Insulation Option	Partially Insulated
-------------------	---------------------

Product Compliance

[For compliance documentation, visit the product page on TE.com>](#)

EU RoHS Directive 2011/65/EU	Compliant
------------------------------	-----------

EU ELV Directive 2000/53/EC	Compliant
-----------------------------	-----------

China RoHS 2 Directive MIIT Order No 32, 2016	No Restricted Materials Above Threshold
---	---

EU REACH Regulation (EC) No. 1907/2006	Current ECHA Candidate List: JUNE 2024 (241) Candidate List Declared Against: JUNE 2024 (241) Does not contain REACH SVHC
--	---

Halogen Content	Low Halogen - Br, Cl, F, I < 900 ppm per homogenous material. Also BFR/CFR/PVC Free
-----------------	---

Solder Process Capability

Not applicable for solder process capability

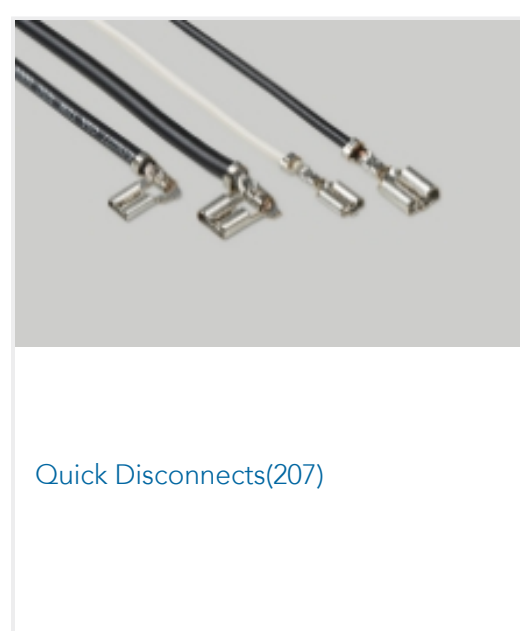
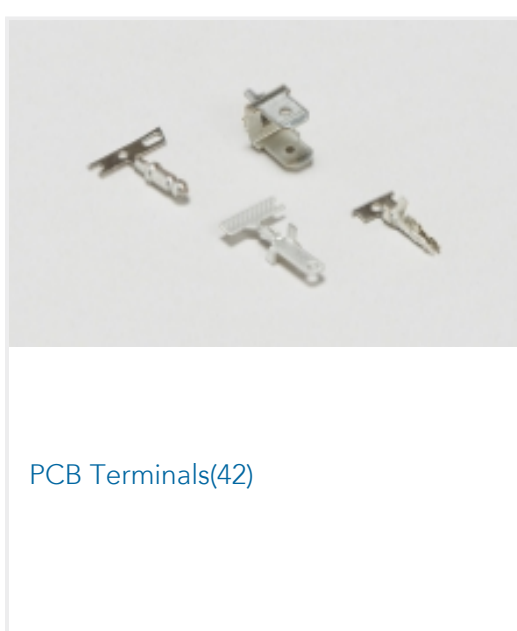
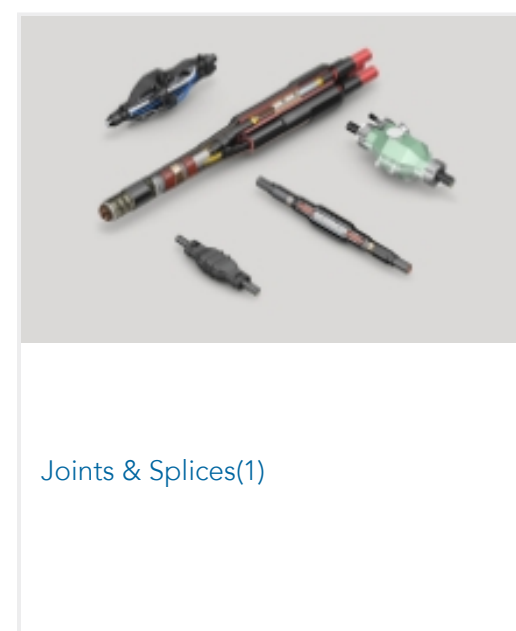
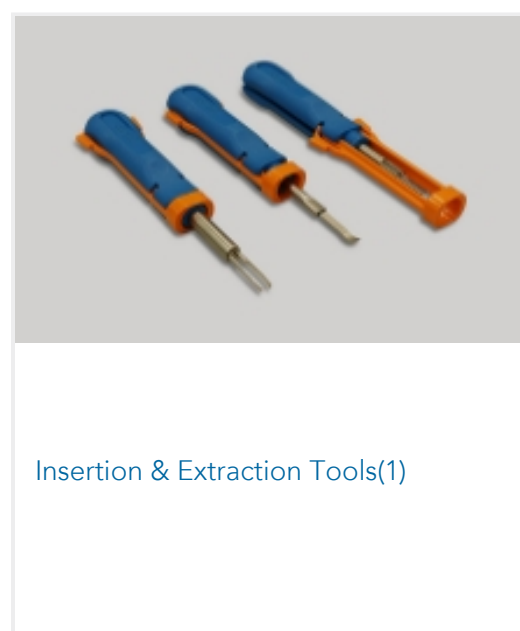
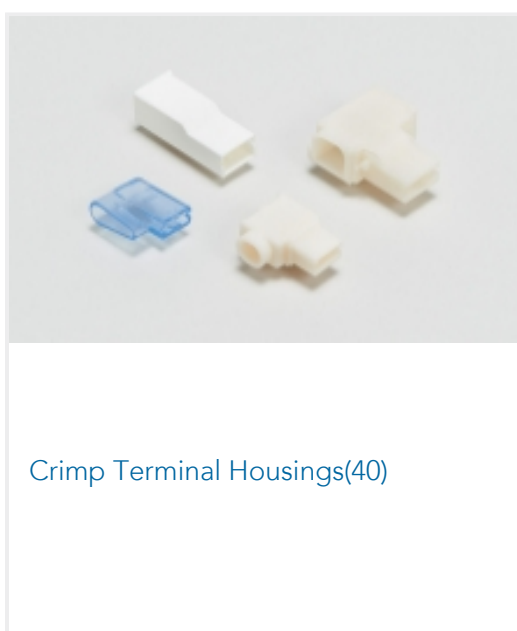
Product Compliance Disclaimer

This information is provided based on reasonable inquiry of our suppliers and represents our current actual knowledge based on the information they provided. This information is subject to change. The part numbers that TE has identified as EU RoHS compliant have a maximum concentration of 0.1% by weight in homogenous materials for lead, hexavalent chromium, mercury, PBB, PBDE, DBP, BBP, DEHP, DIBP, and 0.01% for cadmium, or qualify for an exemption to these limits as defined in the Annexes of Directive 2011/65/EU (RoHS2). Finished electrical and electronic equipment products will be CE marked as required by Directive 2011/65/EU. Components may not be CE marked. Additionally, the part numbers that TE has identified as EU ELV compliant have a maximum concentration of 0.1% by weight in homogenous materials for lead, hexavalent chromium, and mercury, and 0.01% for cadmium, or qualify for an exemption to these limits as defined in the Annexes of Directive 2000/53/EC (ELV). Regarding the REACH Regulation, the information TE provides on SVHC in articles for this part number is based on the latest European Chemicals Agency (ECHA) 'Guidance on requirements for substances in articles' posted at this URL: <https://echa.europa.eu/guidance-documents/guidance-on-reach>

Compatible Parts



Also in the Series | FASTON 187



Customers Also Bought



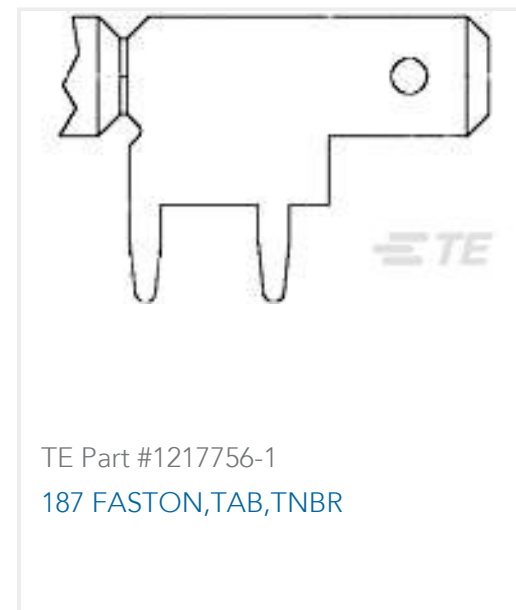
TE Part #2-111623-4
40, 2MM, POL,30 DP, LEAD FREE



TE Part #1658540-5
CONT,PIN,PLATED,20DF,LP,#24-28



TE Part #322768
TERMINAL,SOLIS R 90DEG 22-16



TE Part #1217756-1
187 FASTON,TAB,TNBR



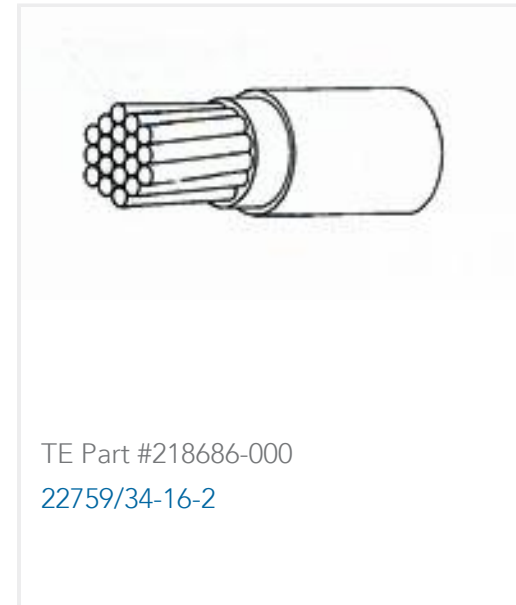
TE Part #CAT-035-DCCSC20
D-Sub Conn Contacts: Socket,
Phosphor Bronze, Signal, Size 20



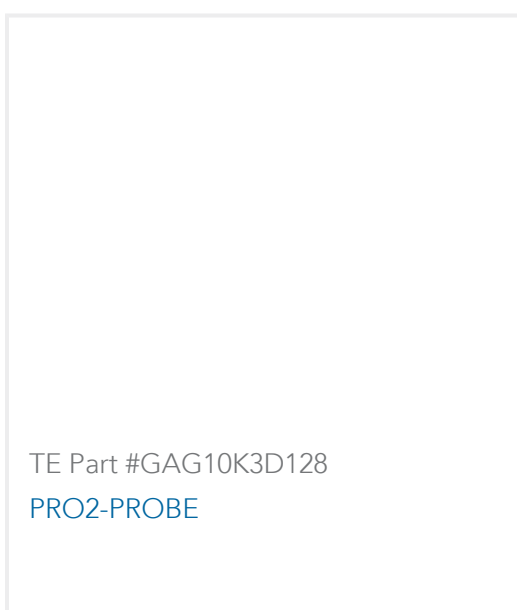
TE Part #2050994-1
JPT 3POS SEALED PLUG ASSY



TE Part #323059
TERMINAL,SOLIS R HT 12-10 6



TE Part #218686-000
22759/34-16-2



TE Part #GAG10K3D128
PRO2-PROBE

Documents

Product Drawings

[RECEPT,PIDG FASTON 22-18 187](#)

English

CAD Files

[3D PDF](#)

English

Customer View Model

[ENG_CVM_8-640917-1_L1.2d_dxf.zip](#)

English

Customer View Model

[ENG_CVM_8-640917-1_L1.3d_igs.zip](#)

English

Customer View Model

[ENG_CVM_8-640917-1_L1.3d_stp.zip](#)

English

[3D PDF](#)

3D



Customer View Model

[ENG_CVM_CVM_8-640917-1_K.2d_dxf.zip](#)

English

Customer View Model

[ENG_CVM_CVM_8-640917-1_K.3d_igs.zip](#)

English

Customer View Model

[ENG_CVM_CVM_8-640917-1_K.3d_stp.zip](#)

English

By downloading the CAD file I accept and agree to the [Terms and Conditions](#) of use.

Product Specifications

[Application Specification](#)

English

Agency Approvals

[CSA Certificate](#)

English