

8-36964-1 ✓ ACTIVE

TE Internal #: 8-36964-1

Closed End Splice, 22 – 14 AWG, .3 – 2 mm<sup>2</sup> Wire, .509 – 5.18 kcmil, 509 – 5180 CMA, Copper, Purple, 21.21 mm [.835 in] Length, Loose Piece

[View on TE.com >](#)



Terminals & Splices > Splices



Splice Type: **Closed End Splice**

Wire Size: **.3 – 2 mm<sup>2</sup>**

Sealable: **No**

Compatible Insulation Diameter Range: **4.75 mm [.187 in]**

## Features

### Identification Marking

Splice Marking	VS
----------------	----

### Packaging Features

Packaging Quantity	100
Packaging Method	Loose Piece

### Body Features

Product Weight	.567 g
Primary Product Color	Purple

### Contact Features

Terminal Plating Material	Tin
Contact Base Material	Copper
Barrel Type	Closed

### Product Type Features

Splice Accessory Type	Splice
Splice Type	Closed End Splice
Sealable	No



Compatible With Discrete Wire Type	Solid, Stranded
------------------------------------	-----------------

Wire Insulation Support Retention Type	Insulation Support
--	--------------------

### Configuration Features

Compatible With Wire & Cable Type	Discrete Wire
-----------------------------------	---------------

### Mechanical Attachment

Wire Insulation Support	With
-------------------------	------

### Dimensions

Wire Size	.509 – 5.18 kcmil
-----------	-------------------

Compatible Insulation Diameter Range	4.75 mm[.187 in]
--------------------------------------	------------------

Terminal Material Thickness	.69 mm[.027 in]
-----------------------------	-----------------

Product Length	21.21 mm[.835 in]
----------------	-------------------

### Usage Conditions

Insulation Option	Fully Insulated
-------------------	-----------------

### Operation/Application

Compatible With Wire Base Material	Copper
------------------------------------	--------

### Industry Standards

Government Qualified Splice	No
-----------------------------	----

### Other

EU RoHS Compliance	Compliant
--------------------	-----------

EU ELV Compliance	Compliant
-------------------	-----------

### Product Compliance

[For compliance documentation, visit the product page on TE.com>](#)

EU RoHS Directive 2011/65/EU	Compliant
------------------------------	-----------

EU ELV Directive 2000/53/EC	Compliant
-----------------------------	-----------

China RoHS 2 Directive MIIT Order No 32, 2016	No Restricted Materials Above Threshold
---	---

EU REACH Regulation (EC) No. 1907/2006	Current ECHA Candidate List: JUNE 2024 (241) Candidate List Declared Against: JUNE 2024 (241) Does not contain REACH SVHC
--	---

Halogen Content	Not Low Halogen - contains Br or Cl > 900 ppm.
-----------------	--

Solder Process Capability	Not applicable for solder process capability
---------------------------	--

Product Compliance Disclaimer

This information is provided based on reasonable inquiry of our suppliers and represents our current actual knowledge based on the information they provided. This information is subject to change. The part numbers that TE has identified as EU RoHS compliant have a maximum concentration of 0.1% by weight in homogenous materials for lead, hexavalent chromium, mercury, PBB, PBDE, DBP, BBP, DEHP, DIBP, and 0.01% for cadmium, or qualify for an exemption to these limits as defined in the Annexes of Directive 2011/65/EU (RoHS2). Finished electrical and electronic equipment products will be CE marked as required by Directive 2011/65/EU. Components may not be CE marked. Additionally, the part numbers that TE has identified as EU ELV compliant have a maximum concentration of 0.1% by weight in homogenous materials for lead, hexavalent chromium, and mercury, and 0.01% for cadmium, or qualify for an exemption to these limits as defined in the Annexes of Directive 2000/53/EC (ELV). Regarding the REACH Regulation, the information TE provides on SVHC in articles for this part number is based on the latest European Chemicals Agency (ECHA) 'Guidance on requirements for substances in articles' posted at this URL: <https://echa.europa.eu/guidance-documents/guidance-on-reach>

### Compatible Parts



TE Part # 217212-1  
PRO-CR ASSY, CES



TE Part # 45216  
DAHT AMP CLOSED END SPLICES 22-14 ASSY



TE Part # 217212-2  
PRO-CR DIE, CES



TE Part # 48208  
DAHT CLOSED END SPLICES 22-10 ASSY

### Customers Also Bought



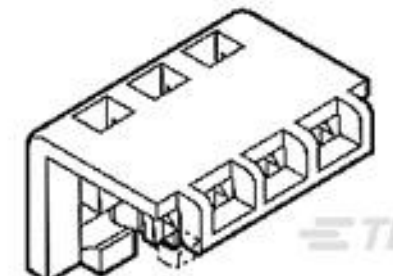
TE Part #1-770901-0  
MINI UMNL PIN 26-22 AWG AU LF



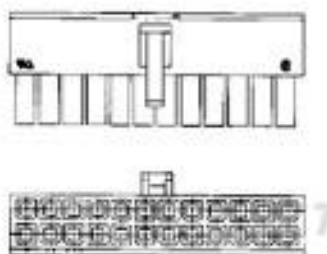
TE Part #1445816-1  
RECPT,11-9,FLNG MT,STD KEY



TE Part #206137-1  
23-7 RECEPT STD SEX



TE Part #643067-5  
05P MTA156 MOLDED COVER



TE Part #1-794954-0  
10P RCPT VAL-U-LOK V2



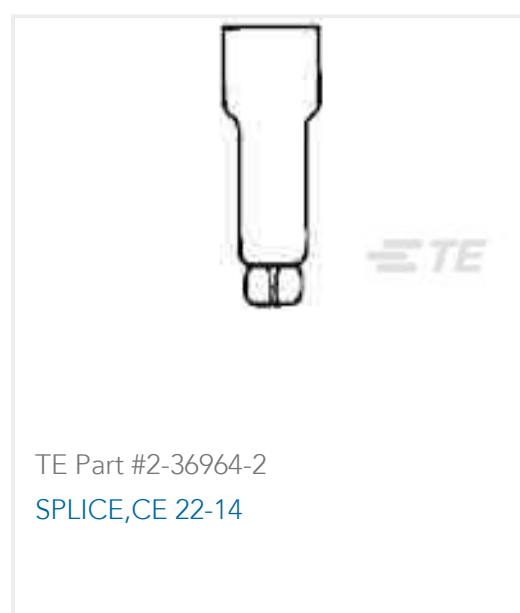
TE Part #092790-000  
STD03W-4



TE Part #1643917-1  
703-14-00100



TE Part #5745183-7  
09 RCPT SP/MS STD



## Documents

### Product Drawings

#### [SPLICE,CE 22-14](#)

English

### CAD Files

#### Customer View Model

##### [ENG\\_CVM\\_CVM\\_8-36964-1\\_W.2d\\_dxf.zip](#)

English

#### 3D PDF

3D

#### Customer View Model

##### [ENG\\_CVM\\_CVM\\_8-36964-1\\_W.3d\\_igs.zip](#)

English

#### Customer View Model

##### [ENG\\_CVM\\_CVM\\_8-36964-1\\_W.3d\\_stp.zip](#)

English

By downloading the CAD file I accept and agree to the [Terms and Conditions](#) of use.

### Product Specifications

#### [Application Specification](#)

English

### Instruction Sheets

#### [Instruction Sheet \(U.S.\)](#)

English

### Agency Approvals

#### [UL Report](#)

English

#### [UL Report](#)

English