

[All PIDG Ring Tongue Terminals \(408\)](#)

**Product Compliance**

[For compliance documentation, visit the product page on TE.com>](#)

EU RoHS Directive 2011/65/EU	Compliant
EU ELV Directive 2000/53/EC	Compliant
China RoHS 2 Directive MIIT Order No 32, 2016	有害物质含量符合标准要求 No Restricted Substance(s) Above Threshold
EU REACH Regulation (EC) No. 1907/2006	Current ECHA Candidate List: JUNE 2025 (250) Candidate List Declared Against: JUNE 2023 (235) Does not contain REACH SVHC
Halogen Content	Low Halogen - Br, Cl, F < 900 ppm per homogenous material. Also BFR/CFR/PVC Free
Solder Process Capability	Not applicable for solder process capability

Product Compliance Disclaimer

This information is provided based on reasonable inquiry of our suppliers and represents our current actual knowledge based on the information they provided. This information is subject to change. The part numbers that TE has identified as EU RoHS compliant have a maximum concentration of 0.1% by weight in homogenous materials for lead, hexavalent chromium, mercury, PBB, PBDE, DBP, BBP, DEHP, DIBP, and 0.01% for cadmium, or qualify for an exemption to these limits as defined in the Annexes of Directive 2011/65/EU (RoHS2). Finished electrical and electronic equipment products will be CE marked as required by Directive 2011/65/EU. Components may not be CE marked. Additionally, the part numbers that TE has identified as EU ELV compliant have a maximum concentration of 0.1% by weight in homogenous materials for lead, hexavalent chromium, and mercury, and 0.01% for cadmium, or qualify for an exemption to these limits as defined in the Annexes of Directive 2000/53/EC (ELV). Regarding the REACH Regulation, the information TE provides on SVHC in articles for this part number is based on the latest European Chemicals Agency (ECHA) 'Guidance on requirements for substances in articles' posted at this URL: <https://echa.europa.eu/guidance-documents/guidance-on-reach>

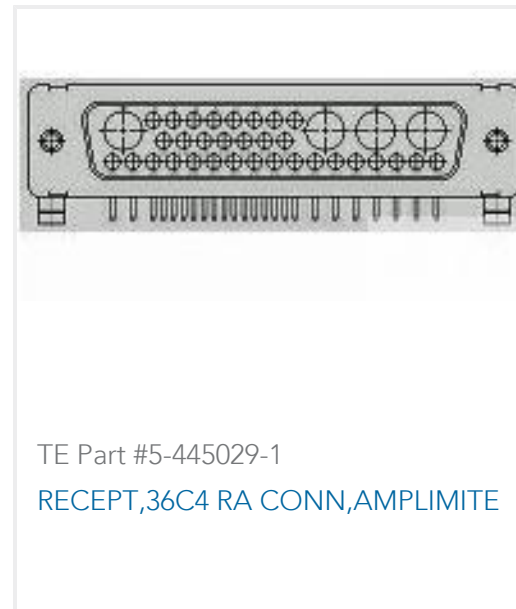
## Customers Also Bought



TE Part #5-87579-6  
18 MODII HDR DRRR SHRD LF



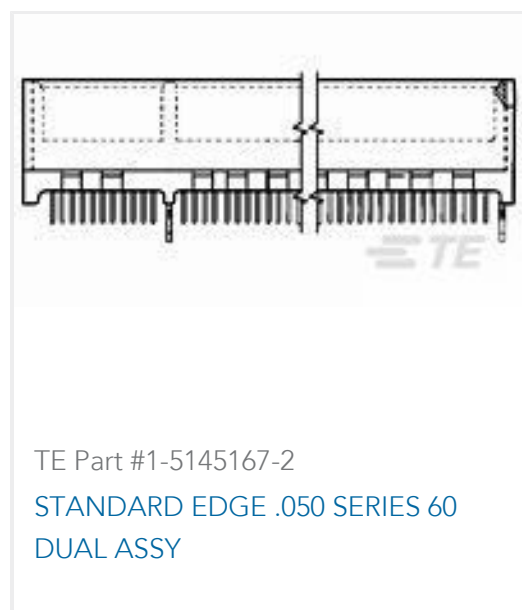
TE Part #6-147323-1  
12 MTE HDR SRRA SMT.100CL



TE Part #5-445029-1  
RECEPT,36C4 RA CONN,AMPLIMITE



TE Part #1825198-2  
MSSA2350G04=SW SLIDE, DP3T AU



TE Part #1-5145167-2  
STANDARD EDGE .050 SERIES 60  
DUAL ASSY



TE Part #2-5535512-0  
26 MODII HORZ DR CE EESS .100



TE Part #5767044-2  
MICTOR,R/A,RECPT,.062,076,ASY



TE Part #6450160-5  
MBXL R/A RCPT 5P+24S+1M+6P



TE Part #829559-2  
MCX KU LEI



TE Part #1052652-1  
SMA Flange Mt Jack 2052 3363 02

## Documents

### Product Drawings

[TERMINAL,PIDG R 16-14 6](#)

English

### CAD Files

[3D PDF](#)

English

Customer View Model

[ENG\\_CVM\\_8-326882-1\\_K.2d\\_dxf.zip](#)

English

Customer View Model

[ENG\\_CVM\\_8-326882-1\\_K.3d\\_igs.zip](#)

English

Customer View Model

[ENG\\_CVM\\_8-326882-1\\_K.3d\\_stp.zip](#)

English

[3D PDF](#)



3D

Customer View Model

[ENG\\_CVM\\_CVM\\_8-326882-1\\_M.2d\\_dxf.zip](#)

English

Customer View Model

[ENG\\_CVM\\_CVM\\_8-326882-1\\_M.3d\\_igs.zip](#)

English

Customer View Model

[ENG\\_CVM\\_CVM\\_8-326882-1\\_M.3d\\_stp.zip](#)

English

By downloading the CAD file I accept and agree to the [Terms and Conditions](#) of use.

**Product Specifications**

[Application Specification](#)

English