



PIDG

TE Internal #: 8-31895-1

Closed Ring Tongue Terminal, 22 AWG, 5/16 / M8 Stud, 7.92 mm [.312 in] Stud Diameter, Closed Barrel, Straight, Tin Plating, Partially Insulated, PIDG

[View on TE.com >](#)

Terminals & Splices > Ring Terminals > PIDG Ring Tongue Terminals



Ring Terminal Product Type: Closed Ring Tongue Terminal

Wire Size: 509 – 3260 CMA

Stud Size: M8, 5/16

[All PIDG Ring Tongue Terminals \(410\)](#)

Features

Configuration Features

Number of Holes	1
-----------------	---

Mechanical Attachment

Wire Insulation Support	With
-------------------------	------

Electrical Characteristics

Voltage Rating	300 V
----------------	-------

Industry Standards

Government Qualified Terminal	No
-------------------------------	----

Body Features

Product Weight	1.081 g
----------------	---------

Insulation Sleeve Color	Red
-------------------------	-----

Stripe Color	Red
--------------	-----

Packaging Features

Packaging Quantity	100
--------------------	-----



Packaging Method	Loose Piece
------------------	-------------

Product Type Features

Ring Terminal Product Type	Closed Ring Tongue Terminal
Stud Size	M8, 5/16
Sealable	No
Wire Insulation Support Retention Type	Insulation Support

Contact Features

Barrel Type	Closed
Terminal Orientation	Straight
Terminal Plating Material	Tin

Dimensions

Wire Size	509 – 3260 CMA
Stud Diameter	7.92 mm [.312 in]
Tongue Thickness	.84 mm [.033 in]
Product Length	27.38 mm [1.078 in]
Compatible Insulation Diameter (Max)	3.56 mm [.14 in]
Compatible Insulation Diameter Range	2.67 – 3.56 mm [.105 – .14 in]

Usage Conditions

Insulation Option	Partially Insulated
-------------------	---------------------

Operation/Application

Compatible With Wire Base Material	Copper
Compatible With Wire Plating Material	Tin

Other

EU RoHS Compliance	Compliant
EU ELV Compliance	Compliant

Product Compliance

[For compliance documentation, visit the product page on TE.com>](#)

EU RoHS Directive 2011/65/EU	Compliant
EU ELV Directive 2000/53/EC	Compliant
China RoHS 2 Directive MIIT Order No 32, 2016	No Restricted Materials Above Threshold
EU REACH Regulation (EC) No. 1907/2006	



Current ECHA Candidate List: JUNE 2024 (241)
 Candidate List Declared Against: JUNE 2024 (241)
 Does not contain REACH SVHC

Halogen Content Low Halogen - Br, Cl, F, I < 900 ppm per homogenous material. Also BFR/CFR/PVC Free

Solder Process Capability Not applicable for solder process capability

Product Compliance Disclaimer

This information is provided based on reasonable inquiry of our suppliers and represents our current actual knowledge based on the information they provided. This information is subject to change. The part numbers that TE has identified as EU RoHS compliant have a maximum concentration of 0.1% by weight in homogenous materials for lead, hexavalent chromium, mercury, PBB, PBDE, DBP, BBP, DEHP, DIBP, and 0.01% for cadmium, or qualify for an exemption to these limits as defined in the Annexes of Directive 2011/65/EU (RoHS2). Finished electrical and electronic equipment products will be CE marked as required by Directive 2011/65/EU. Components may not be CE marked. Additionally, the part numbers that TE has identified as EU ELV compliant have a maximum concentration of 0.1% by weight in homogenous materials for lead, hexavalent chromium, and mercury, and 0.01% for cadmium, or qualify for an exemption to these limits as defined in the Annexes of Directive 2000/53/EC (ELV). Regarding the REACH Regulation, the information TE provides on SVHC in articles for this part number is based on the latest European Chemicals Agency (ECHA) 'Guidance on requirements for substances in articles' posted at this URL: <https://echa.europa.eu/guidance-documents/guidance-on-reach>

Compatible Parts



REPRESENTATION ONLY

TE Part # 47386
DAHT PG PIDG 26-16 ASSY



TE Part # 58423-1
DIE, RBY IS9252



TE Part # 58433-3
PRO CR ASSY, RBY IS9252



TE Part # 169404
CERTI-LOK DIE



TE Part # 59824-1
TETRA-CRIMP PIDG PG FASTON 22-10 ASSY

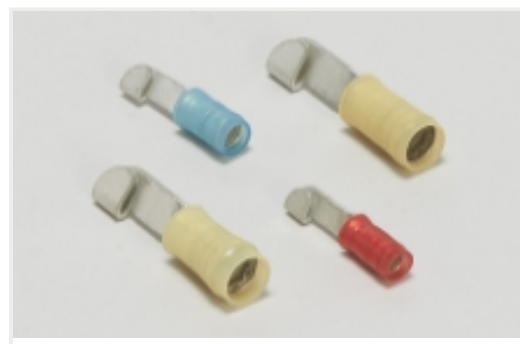
Also in the Series | **PIDG**



Compression Connectors(17)



Crimp Wire Pins, Tabs & Ferrules(41)



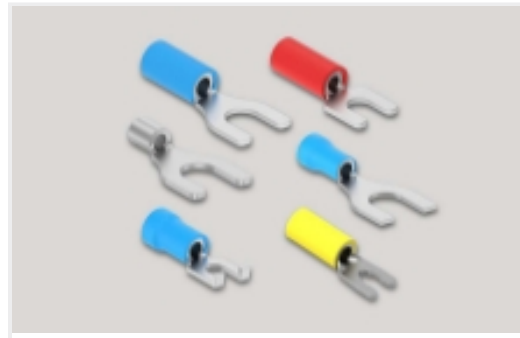
Knife Disconnects(11)



Quick Disconnects(38)



Ring Terminals(588)



Spade Terminals(228)



Special Purpose Terminals(1)



Splices(41)

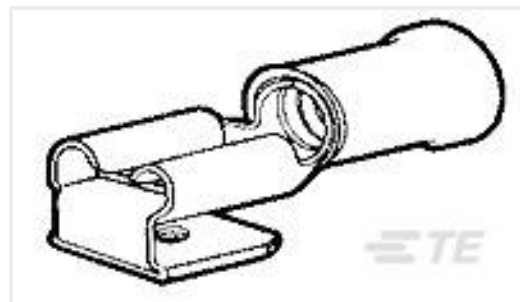
Customers Also Bought



TE Part #320575
TERMINAL,PIDG R 16-14 5/16



TE Part #D42180-000
B-155-05



TE Part #160834-2
PIDG PIGGY-B FASTON



TE Part #B8965C
WHIP,MC,CC,896-970MHz TUN,5,CH, GP,



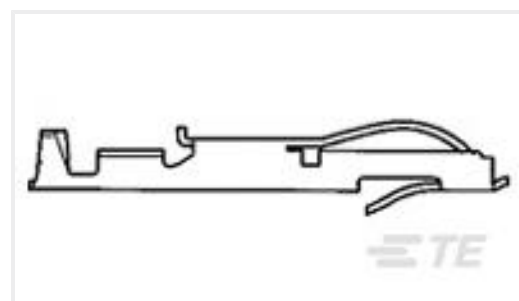
TE Part #160136
TERM, RING, PLASTI-GRIP, 16-14, M10



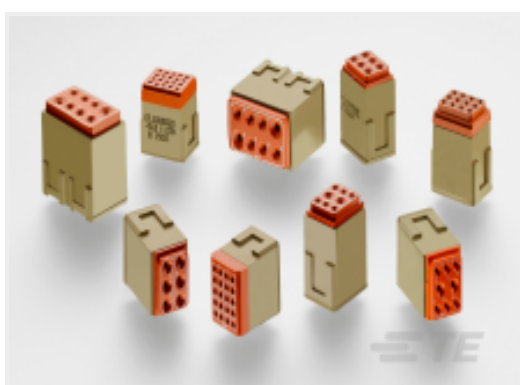
TE Part #640903-2
RECEPT,PIDG FASTON 22-18 250



TE Part #734887-000
D-110-0217



TE Part #5-583649-2
CONT.CRP.SNAP TW.LF.STRIP



TE Part #YCTD160E01FC015000
MODULE ASSY



TE Part #2176369-2
RQ 0603 41R2 0.1% 10PPM 5K RL

Documents



Product Drawings

[PIDG R 22-16COMM 22-18MIL 5/16](#)

English

CAD Files

Customer View Model

[ENG_CVM_CVM_8-31895-1_W.2d_dxf.zip](#)

English

3D PDF

3D

Customer View Model

[ENG_CVM_CVM_8-31895-1_W.3d_igs.zip](#)

English

Customer View Model

[ENG_CVM_CVM_8-31895-1_W.3d_stp.zip](#)

English

By downloading the CAD file I accept and agree to the [Terms and Conditions](#) of use.

Instruction Sheets

[Instruction Sheet \(U.S.\)](#)

English