



NEOHM | NEOHM CPF

TE Internal #: 8-1676481-3

22K ohm, Thin Film, Precision Resistor, .1 %, 0603, .063 W, ±25 ppm /°C, Solder, 2 Terminations, .45 mm [.018 in] Height, NEOHM CPF

[View on TE.com >](#)

Passive Components > Resistors > Surface Mount Resistors



Resistor Type: **Precision Resistor**

Element Type: **Thin Film**

Package Size Code: **0603**

Power Rating: **.063 W**

Resistance Value: **22K Ω**

Features

Product Type Features

Resistor Type	Precision Resistor
Element Type	Thin Film
Package Size Code	0603

Configuration Features

Number of Resistors	1
---------------------	---

Electrical Characteristics

Operating Voltage	50 V
Power Rating	.063 W
Resistance Value	22K Ω
Resistance Class	1kΩ – 1MΩ
Passive Component Tolerance	.1 %

Termination Features

Surface Mount Resistor Termination Type	Solder
Number of Terminations	2

Dimensions

Product Height	.45 mm[.018 in]
Product Length	1.55 mm[.061 in]
Product Width	.8 mm[.031 in]

Usage Conditions

Temperature Coefficient	±25 ppm/°C
-------------------------	------------

Industry Standards

Moisture Sensitivity Level	1
----------------------------	---

Packaging Features

Packaging Method	Taped & Reeled
------------------	----------------

Product Compliance

[For compliance documentation, visit the product page on TE.com>](#)

EU RoHS Directive 2011/65/EU	Compliant
EU ELV Directive 2000/53/EC	Compliant
China RoHS 2 Directive MIIT Order No 32, 2016	有害物质含量符合标准要求 No Restricted Substance(s) Above Threshold
EU REACH Regulation (EC) No. 1907/2006	Current ECHA Candidate List: JUNE 2025 (250) Candidate List Declared Against: JUNE 2025 (250) Does not contain REACH SVHC
Halogen Content	Low Halogen - Br, Cl, F < 900 ppm per homogenous material. Also BFR/CFR/PVC Free
Solder Process Capability	Reflow solder capable to 260°C

Product Compliance Disclaimer

This information is provided based on reasonable inquiry of our suppliers and represents our current actual knowledge based on the information they provided. This information is subject to change. The part numbers that TE has identified as EU RoHS compliant have a maximum concentration of 0.1% by weight in homogenous materials for lead, hexavalent chromium, mercury, PBB, PBDE, DBP, BBP, DEHP, DIBP, and 0.01% for cadmium, or qualify for an exemption to these limits as defined in the Annexes of Directive 2011/65/EU (RoHS2). Finished electrical and electronic equipment products will be CE marked as required by Directive 2011/65/EU. Components may not be CE marked. Additionally, the part numbers that TE has identified as EU ELV compliant have a maximum concentration of 0.1% by weight in homogenous materials for lead, hexavalent chromium, and mercury, and 0.01% for cadmium, or qualify for an exemption to these limits as defined in the Annexes of Directive 2000/53/EC (ELV). Regarding the REACH Regulation, the information TE provides on SVHC in articles for this part number is based on the latest European Chemicals Agency (ECHA) 'Guidance on requirements for substances in articles' posted at this URL: <https://echa.europa.eu/guidance-documents/guidance-on-reach>

Compatible Parts



TE Part # 3-1879216-5
CPF0402 200K 0.1% 25PPM 1K RL



TE Part # 1879417-8
CPF0603 1M0 0.1% 25PPM 5K RL



TE Part # 1-1879417-9
CPF 0603 1M0 0.1% 25PPM 1K RL



TE Part # 9-1879216-1
CPF 0402 158K 0.1% 25PPM 5K RL



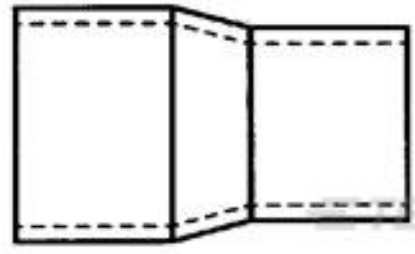
TE Part # 1-1614959-4
CPF0805 2M0 0.1% 25PPM 1K RL

Also in the Series | NEOHM CPF



Surface Mount Resistors(5840)

Customers Also Bought



TE Part #520437-1
8 SDL FERRULE,BULK PKG



TE Part #3-1676481-9
CPF 0603 220R 0.1% 25PPM 1K RL



TE Part #8-1676481-8
CPF 0603 36K 0.1% 25PPM 1K RL



TE Part #1676914-5
YR1 0.1% 35K7



TE Part #1879217-4
CPF 0603 180K 0.1% 25PPM 1K RL



TE Part #1879225-9
CPF 0603 47K5 0.1% 25PPM 1K RL



TE Part #2134536-2
MICRO USB, TYPE A/B, GRAY



TE Part #7-2176087-7
RP 1J 0.166W 432R 0.1% 25PPM 1K RL



Documents

Product Drawings

[CPF 0603 22K 0.1% 25PPM 1K RL](#)

English

CAD Files

[3D PDF](#)

3D

Customer View Model

[ENG_CVM_CVM_8-1676481-3_BA.2d_dxf.zip](#)

English

Customer View Model

[ENG_CVM_CVM_8-1676481-3_BA.3d_igs.zip](#)

English

Customer View Model

[ENG_CVM_CVM_8-1676481-3_BA.3d_stp.zip](#)

English

By downloading the CAD file I accept and agree to the [Terms and Conditions](#) of use.

Datasheets & Catalog Pages

[1309350_PASSIVE_COMPONENT](#)

English

[CPF-1016](#)

English

[8-1773459-4_POWER_FILTERING_AND_RESISTIVE_SOLUTIONS_FOR_ELEVATORS_AND_ESCALATORS](#)

English