

FCB-405-0625M ✓ ACTIVE

CII | CII FCB-405 Series

TE Internal #: 8-1617760-6

General Purpose Power Relay, DC, Polarized, Monostable, 4 Form C 4PDT-CO, 5 A Contact Rating, 28 VDC Coil Voltage, Socket Mount, CII FCB-405 Series

[View on TE.com >](#)



Relays & Contactors > Electromechanical Relays



Relay & Contactor Type: **General Purpose Power Relay**

Current Type: **DC**

Coil Magnetic System: **Polarized, Monostable**

Contact Arrangement: **4 Form C 4PDT-CO**

Contact Current Rating: **5 A**

Features

Contact Features

Contact Material	Silver Cadmium Oxide
Terminal Plating	Gold

Usage Conditions

Operating Temperature Range	-70 – 125 °C[-94 – 257 °F]
Environmental Ambient Temperature (Max)	125 °C[257 °F]

Electrical Characteristics

Coil Resistance	400 Ω
Contact Current Rating	5 A
Coil Voltage Rating	28 VDC

Configuration Features

Coil Special Features	Coil Suppression Diode
Relay Options	Back EMF Suppression
Contact Arrangement	4 Form C 4PDT-CO

Operation/Application

Vibration Resistance	20G's, 500 – 3000Hz
Shock Resistance	50G's, 11ms
Current Type	DC



Coil Magnetic System

Polarized, Monostable

Product Type Features

Relay & Contactor Type

General Purpose Power Relay

Body Features

Enclosure Type

Hermetically Sealed

Termination Features

Main Termination & Connection Type

Socket Pins

Coil Termination & Connection Type

Socket Pins

Mechanical Attachment

Product Mount Type

Socket Mount

Other

EU RoHS Compliance

Compliant

EU ELV Compliance

Not Compliant

Product Compliance

[For compliance documentation, visit the product page on TE.com>](#)

EU RoHS Directive 2011/65/EU

Compliant

EU ELV Directive 2000/53/EC

Not Compliant

China RoHS 2 Directive MIIT Order No 32, 2016

No Restricted Materials Above Threshold

EU REACH Regulation (EC) No. 1907/2006

Current ECHA Candidate List: JUNE 2024 (241)
 Candidate List Declared Against: JAN 2024 (240)
 Does not contain REACH SVHC

Halogen Content

Low Halogen - Br, Cl, F, I < 900 ppm per homogenous material. Also BFR/CFR/PVC Free

Solder Process Capability

Not applicable for solder process capability

Product Compliance Disclaimer

This information is provided based on reasonable inquiry of our suppliers and represents our current actual knowledge based on the information they provided. This information is subject to change. The part numbers that TE has identified as EU RoHS compliant have a maximum concentration of 0.1% by weight in homogenous materials for lead, hexavalent chromium, mercury, PBB, PBDE, DBP, BBP, DEHP, DIBP, and 0.01% for cadmium, or qualify for an exemption to these limits as defined in the Annexes of Directive 2011/65/EU (RoHS2). Finished electrical and electronic equipment products will be CE marked as required by Directive 2011/65/EU. Components may not be CE marked. Additionally, the part numbers that TE has identified as EU ELV compliant have a maximum concentration of 0.1% by weight in homogenous materials for lead, hexavalent chromium, and mercury, and 0.01% for cadmium, or qualify for an exemption to these limits as defined in the Annexes of Directive 2000/53/EC (ELV). Regarding the REACH Regulation, the information TE provides on SVHC in articles for this part number is based on the latest European Chemicals Agency (ECHA) 'Guidance on

requirements for substances in articles' posted at this URL: <https://echa.europa.eu/guidance-documents/guidance-on-reach>

Compatible Parts



TE Part # 1-1617785-1
 FCB-205-0132M=M83536/1-032M



TE Part # 1617785-4
 FCB-205-0129L=M83536/1-029L



TE Part # 6-1617786-2
 FCB-205-0231L=M83536/2-031L



TE Part # 2-1617786-4
 FCB-205-0202L=M83536/2-002L



TE Part # 8-1617758-2
 FCB-205-CX4



TE Part # 4-1617758-9
 FCB-205-0224L=M83536/2-024L



TE Part # 4-1617786-4
 FCB-205-0214L=M83536/2-014L



TE Part # 7-1617758-5
 FCB-205-BY4



TE Part # 2-1617758-6
 FCB-205-0110M=M83536/1-010M



TE Part # 5-1617758-3
 FCB-205-0227M=M83536/2-027M



TE Part # 6-1617780-1
 FCB-205-0217M=M83536/2-017M



TE Part # 6-1617786-8
 FCB-205-0234L=M83536/2-034L



TE Part # 7-1617786-3
 FCB-205-0236M=M83536/2-036M



TE Part # 7-1617784-7
 FCB-205-0109M=M83536/1-009M



TE Part # 9-1617784-5
 FCB-205-0119L=M83536/1-019L



TE Part # 3-1617786-8
 FCB-205-0211L=M83536/2-011L



TE Part # 8-1617784-4
FCB-205-0113M=M83536/1-013M



TE Part # 5-1617758-2
FCB-205-0226M=M83536/2-026M

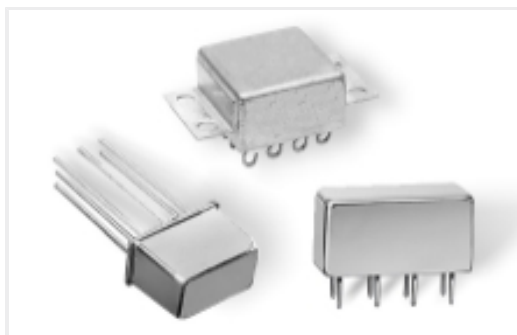


TE Part # 3-1617758-6
FCB-205-0126M=M83536/1-026M



TE Part # 5-1617786-4
FCB-205-0222L=M83536/2-022L

Also in the Series | CII FCB-405 Series



DC Relays(22)

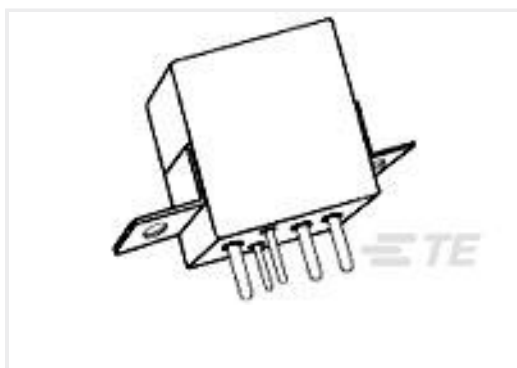


Electromechanical Relays(22)

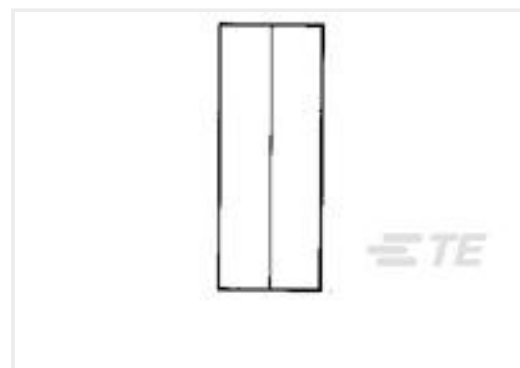


Plug-In Relays(6)

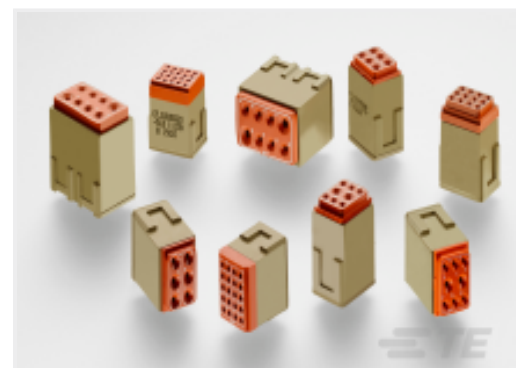
Customers Also Bought



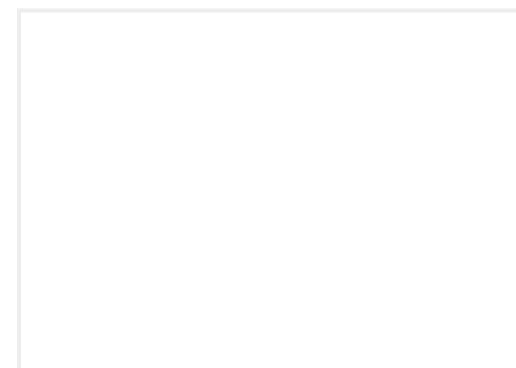
TE Part #4-1617748-0
FCA-125-4=M6106/19-004



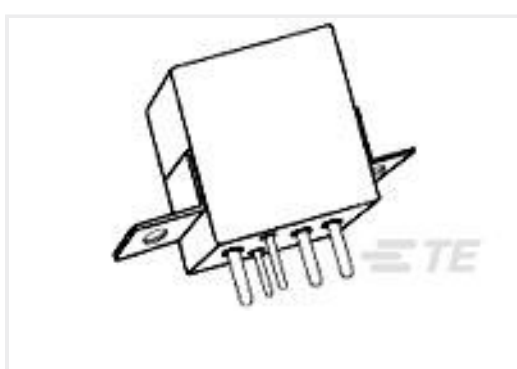
TE Part #2-34318-1
SPLICE,SOLIS PARA HR 8



TE Part #YCTJ122E02DC015000
ELEC MODULE



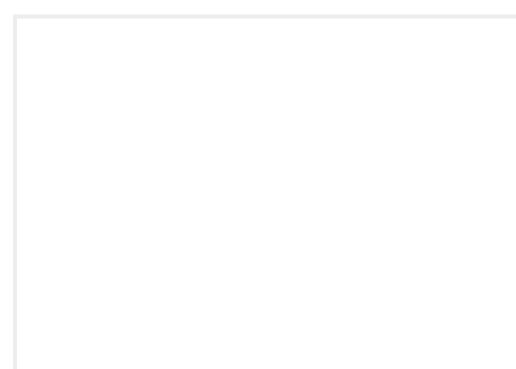
TE Part #2560-214-1631
CONT PIN



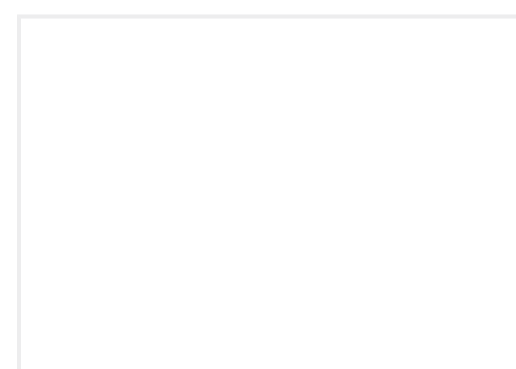
TE Part #6-1617748-1
FCA-125-AY4



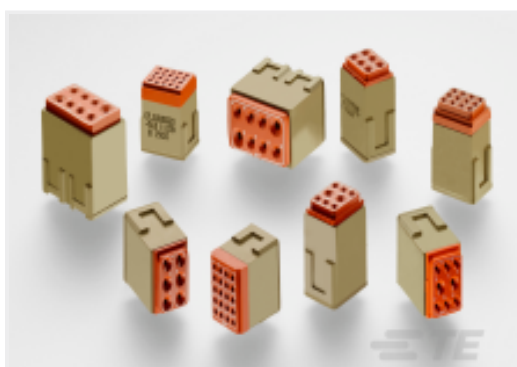
TE Part #YDTS20F11-35SNV001
RECP ASSY



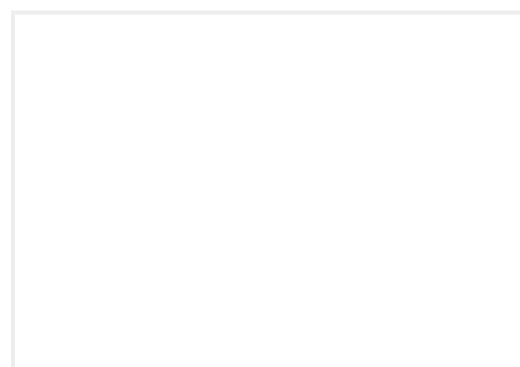
TE Part #YCTJ722E01CC017000
MODULE ASSY



TE Part #YCTJ122E10AC015000
ELEC MODULE



TE Part #YCTD160E01FC015000
MODULE ASSY



TE Part #YCTD126E01AC015---
MODULE ASSY



Documents

Product Drawings

[FCB-405-0625M=M83536/6-025M](#)

English

CAD Files

3D PDF

3D

Customer View Model

[ENG_CVM_CVM_8-1617760-6_D.2d_dxf.zip](#)

English

Customer View Model

[ENG_CVM_CVM_8-1617760-6_D.3d_igs.zip](#)

English

Customer View Model

[ENG_CVM_CVM_8-1617760-6_D.3d_stp.zip](#)

English

By downloading the CAD file I accept and agree to the [Terms and Conditions](#) of use.

Datasheets & Catalog Pages

[5-1773450-5_sec5_FCB-405](#)

English