

8-1609148-8 ✓ ACTIVE

Corcom | Corcom APH

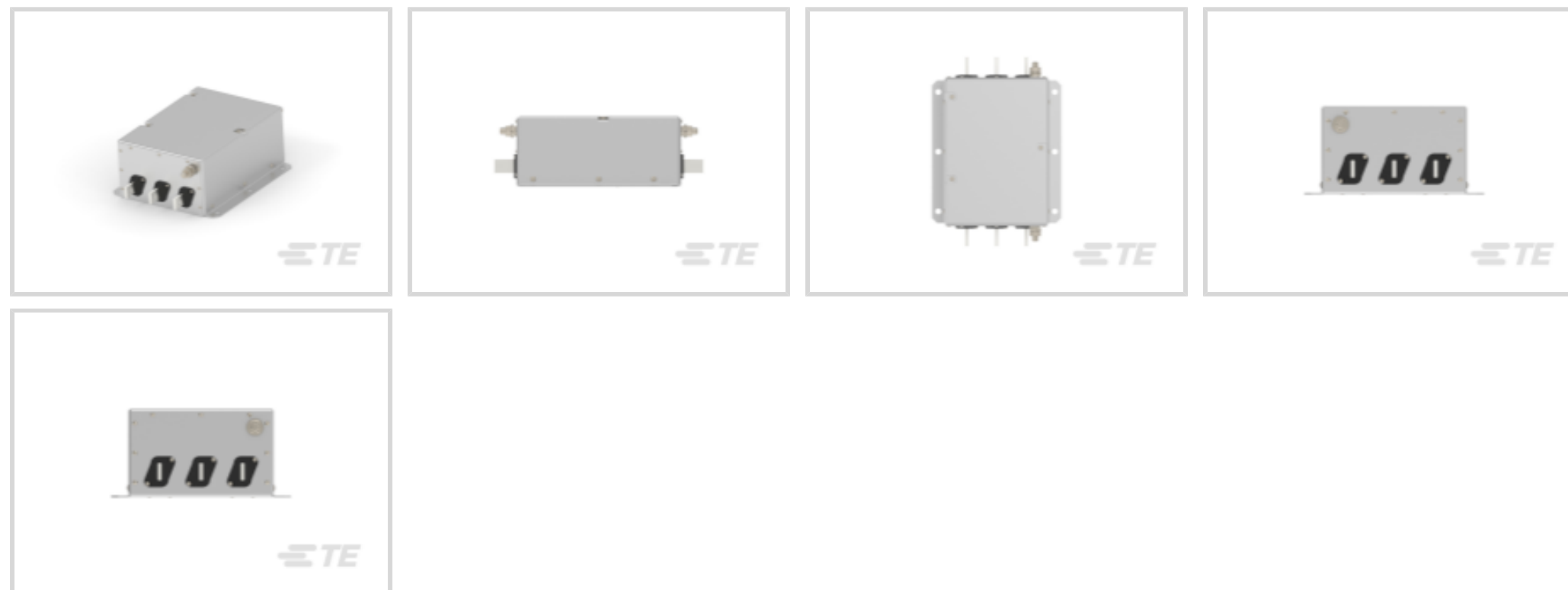
TE Internal #: 8-1609148-8

400 A 3-Phase Filter, Bus Bar Input, Bus Bar Output, DELTA (3 wire + ground), 690 VAC, Chassis Mount, Corcom APH

[View on TE.com >](#)



EMI & EMC Solutions > EMI Filters > Power Line Filters > 3-Phase Filters > 3-Phase Filters, Corcom APH Series



Current Rating: **400 A**

Input Termination Type: **Bus Bar**

Output Termination Type: **Bus Bar**

Wiring Configuration: **DELTA (3 wire + ground)**

Operating Voltage: **690 VAC**

[All 3-Phase Filters, Corcom APH Series \(10\)](#)

Features

Usage Conditions

Operating Temperature Range	-10 – 50 °C
-----------------------------	-------------

Product Type Features

Filtering Requirements	Filtered
------------------------	----------

Input Termination Type	Bus Bar
------------------------	---------

Output Termination Type	Bus Bar
-------------------------	---------

Electrical Characteristics

Leakage Current (Max) (250VAC, 50Hz)	330 mA
--------------------------------------	--------

Current Rating	400 A
----------------	-------

Operating Voltage	690 VAC
-------------------	---------

Configuration Features

Wiring Configuration	DELTA (3 wire + ground)
----------------------	-------------------------

Mechanical Attachment

Product Mount Type	Chassis Mount
--------------------	---------------

Other

EU RoHS Compliance	Compliant
--------------------	-----------

EU ELV Compliance	Compliant
-------------------	-----------

Product Compliance

[For compliance documentation, visit the product page on TE.com>](#)

EU RoHS Directive 2011/65/EU	Compliant
------------------------------	-----------

EU ELV Directive 2000/53/EC	Compliant
-----------------------------	-----------

China RoHS 2 Directive MIIT Order No 32, 2016	No Restricted Materials Above Threshold
---	---

EU REACH Regulation (EC) No. 1907/2006	Current ECHA Candidate List: JUNE 2024 (241) Candidate List Declared Against: JUNE 2024 (241) Does not contain REACH SVHC
--	---

Halogen Content	Low Halogen - Br, Cl, F, I < 900 ppm per homogenous material. Also BFR/CFR/PVC Free
-----------------	---

Solder Process Capability	Not applicable for solder process capability
---------------------------	--

Product Compliance Disclaimer

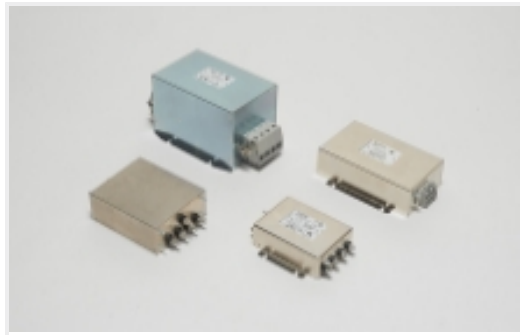
This information is provided based on reasonable inquiry of our suppliers and represents our current actual knowledge based on the information they provided. This information is subject to change. The part numbers that TE has identified as EU RoHS compliant have a maximum concentration of 0.1% by weight in homogenous materials for lead, hexavalent chromium, mercury, PBB, PBDE, DBP, BBP, DEHP, DIBP, and 0.01% for cadmium, or qualify for an exemption to these limits as defined in the Annexes of Directive 2011/65/EU (RoHS2). Finished electrical and electronic equipment products will be CE marked as required by Directive 2011/65/EU. Components may not be CE marked. Additionally, the part numbers that TE has identified as EU ELV compliant have a maximum concentration of 0.1% by weight in homogenous materials for lead, hexavalent chromium, and mercury, and 0.01% for cadmium, or qualify for an exemption to these limits as defined in the Annexes of Directive 2000/53/EC (ELV). Regarding the REACH Regulation, the information TE provides on SVHC in articles for this part number is based on the latest European Chemicals Agency (ECHA) 'Guidance on requirements for substances in articles' posted at this URL: <https://echa.europa.eu/guidance-documents/guidance-on-reach>

Compatible Parts





Also in the Series | Corcom APH

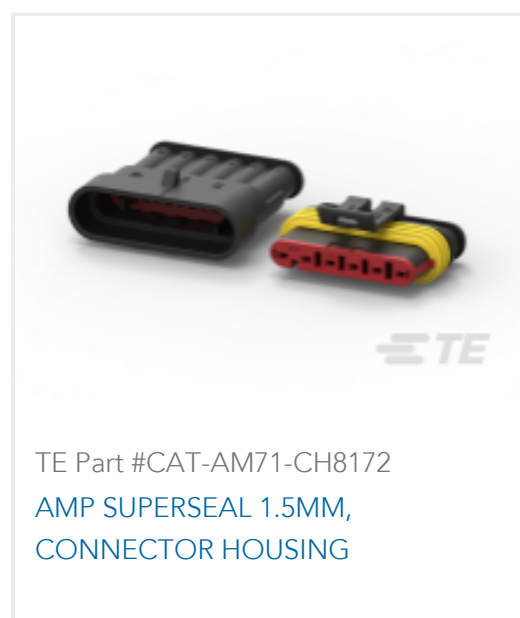


3-Phase Filters(10)

Customers Also Bought



TE Part #114017-ZZ
SEALING PLUG, SIZE 12/16, WHT



TE Part #CAT-AM71-CH8172
AMP SUPERSEAL 1.5MM,
CONNECTOR HOUSING



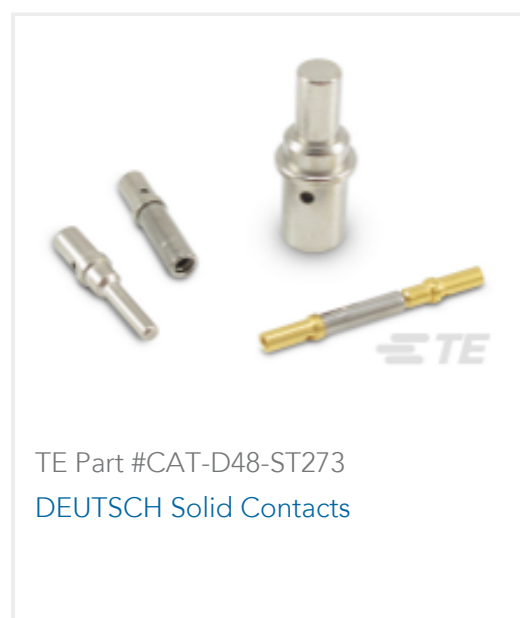
TE Part #DT04-2P
REC, 2P, GRY, N



TE Part #DT06-2S
PLG, 2P, GRY, N



TE Part #CAT-D487-W416
WedgeLocks: DEUTSCH DT



TE Part #CAT-D48-ST273
DEUTSCH Solid Contacts



TE Part #281934-2
SINGLE WIRE SEAL

Documents

Product Drawings

[400APH12P=F8401](#)

English

[400APH12P=F8401](#)

English

CAD Files

[3D PDF](#)

3D

Customer View Model

[ENG_CVM_CVM_8-1609148-8_B.2d_dxf.zip](#)

English

Customer View Model

[ENG_CVM_CVM_8-1609148-8_B.3d_igs.zip](#)

English



Customer View Model

[ENG_CVM_CVM_8-1609148-8_B.3d_stp.zip](#)

English

By downloading the CAD file I accept and agree to the [Terms and Conditions](#) of use.

Datasheets & Catalog Pages

[Corcom APH/APS Series 3-phase high current EMI filters](#)

English

[Corcom Combined Selector Charts](#)

English