



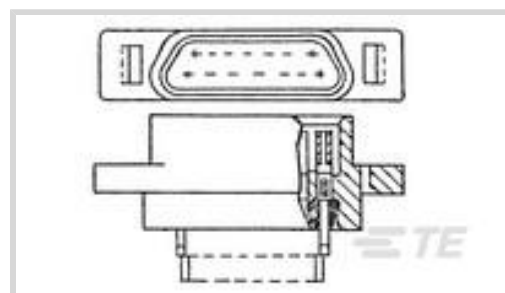
Microdot

TE Internal #: 8-1532223-3

Receptacle, Cable-to-Cable, 9 Position, 1.27 mm [.05 in] Centerline,
Wire & Cable, Signal, Panel Mount, Microminiature &
Nanominiature D Connectors

[View on TE.com >](#)

Connectors > D-Shaped Connectors > Microminiature & Nanominiature D Connectors



Connector & Housing Type: **Receptacle**

Connector System: **Cable-to-Cable**

Number of Positions: **9**

Centerline (Pitch): **1.27 mm [.05 in]**

Connector & Contact Terminates To: **Wire & Cable**

Features

Contact Features

Contact Type	Socket
Contact Options	Installed
Contact Current Rating (Max)	3 A

Product Type Features

Connector & Housing Type	Receptacle
Connector System	Cable-to-Cable
Connector & Contact Terminates To	Wire & Cable

Configuration Features

Number of Positions	9
---------------------	---

Termination Features

Termination Method to Wire & Cable	Solder Pot
------------------------------------	------------

Mechanical Attachment

Connector Mounting Type	Panel Mount
-------------------------	-------------

Housing Features

Centerline (Pitch)	1.27 mm [.05 in]
--------------------	------------------

Usage Conditions

Operating Temperature Range	-55 – 125 °C [-67 – 257 °F]
-----------------------------	-----------------------------



Operation/Application

Circuit Application	Signal
---------------------	--------

Other

EU RoHS Compliance	Compliant with Exemptions
EU ELV Compliance	Compliant with Exemptions

Product Compliance

[For compliance documentation, visit the product page on TE.com>](#)

EU RoHS Directive 2011/65/EU	Compliant with Exemptions
EU ELV Directive 2000/53/EC	Compliant with Exemptions
China RoHS 2 Directive MIIT Order No 32, 2016	Restricted Materials Above Threshold
EU REACH Regulation (EC) No. 1907/2006	Current ECHA Candidate List: JUNE 2024 (241) Candidate List Declared Against: JUNE 2024 (241) SVHC > Threshold: Pb (3.7% in Component Part) Article Safe Usage Statements: Do not eat, drink or smoke when using this product. Wash thoroughly after handling. Recycle if possible and dispose of the article by following all applicable governmental regulations relevant to your geographic location.
Halogen Content	BFR/CFR/PVC Free, but Br/Cl >900 ppm in other sources.
Solder Process Capability	Reflow solder capable to 260°C

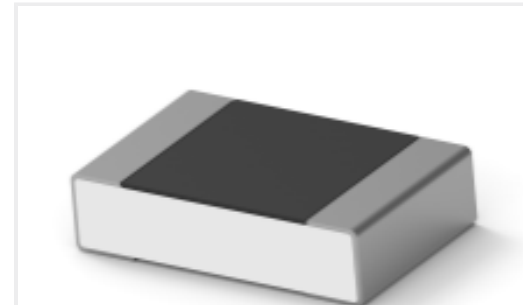
Product Compliance Disclaimer

This information is provided based on reasonable inquiry of our suppliers and represents our current actual knowledge based on the information they provided. This information is subject to change. The part numbers that TE has identified as EU RoHS compliant have a maximum concentration of 0.1% by weight in homogenous materials for lead, hexavalent chromium, mercury, PBB, PBDE, DBP, BBP, DEHP, DIBP, and 0.01% for cadmium, or qualify for an exemption to these limits as defined in the Annexes of Directive 2011/65/EU (RoHS2). Finished electrical and electronic equipment products will be CE marked as required by Directive 2011/65/EU. Components may not be CE marked. Additionally, the part numbers that TE has identified as EU ELV compliant have a maximum concentration of 0.1% by weight in homogenous materials for lead, hexavalent chromium, and mercury, and 0.01% for cadmium, or qualify for an exemption to these limits as defined in the Annexes of Directive 2000/53/EC (ELV). Regarding the REACH Regulation, the information TE provides on SVHC in articles for this part number is based on the latest European Chemicals Agency (ECHA) 'Guidance on requirements for substances in articles' posted at this URL: <https://echa.europa.eu/guidance-documents/guidance-on-reach>

Customers Also Bought



TE Part #1-2106489-1
Connector, Thru Hole-IDC, 1 pos,
20AWG



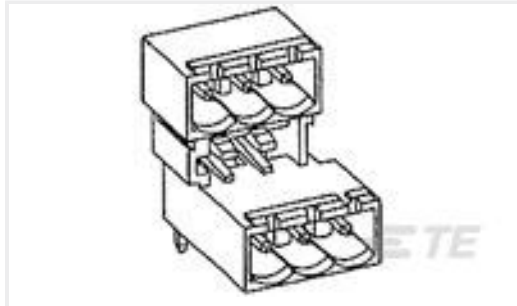
TE Part #9-2176376-1
RQ 0805 107K 0.1% 10PPM 1K RL



TE Part #1-84534-1
1.25MM FFC POST PLATED V 11P



TE Part #1-2176368-0
RQ 0603 61K9 0.1% 10PPM 1K RL



TE Part #284061-5
TERMI-BLOK HDR 90, 5,08MM P. M



TE Part #1676271-1
RN 0805 26K1 0.1% 10PPM CUT
LENGTH



TE Part #104439-2
5X3 MTE RCPT SR PLAIN .100CL



TE Part #1-102567-3
30 MODII 2PC HDR DR SHRD .100

Documents

Product Drawings

095-0604-1011=MCDR2-B-9SS

English