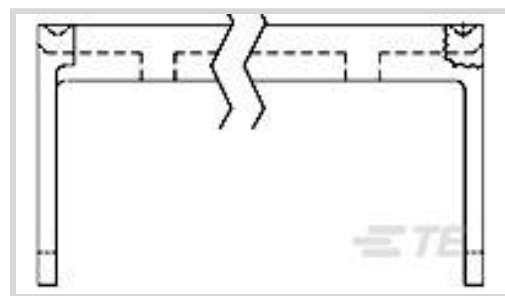




Connectors > Connector Accessories > Connector Caps & Covers > Female Socket Connectors: Strain Relief



Connector Cover Type: **Strain Relief Cover**

Primary Product Color: **Blue**

Primary Product Material: **Glass-Filled Thermoplastic**

Number of Positions: **20**

[All Female Socket Connectors: Strain Relief \(13\)](#)

Features

Product Type Features

Connector Cover Type	Strain Relief Cover
----------------------	---------------------

Configuration Features

Number of Positions	20
---------------------	----

Body Features

Primary Product Color	Blue
Primary Product Material	Glass-Filled Thermoplastic

Dimensions

Product Length	30.07 mm
----------------	----------

Industry Standards

UL Flammability Rating	UL 94V-0
------------------------	----------

Packaging Features

Packaging Method	Package
Packaging Quantity	50

Product Compliance

[For compliance documentation, visit the product page on TE.com>](#)

EU RoHS Directive 2011/65/EU	Compliant
EU ELV Directive 2000/53/EC	Compliant



China RoHS 2 Directive MIIT Order No 32, 2016	No Restricted Materials Above Threshold
EU REACH Regulation (EC) No. 1907/2006	Current ECHA Candidate List: JUNE 2025 (250) Candidate List Declared Against: JAN 2025 (247) Does not contain REACH SVHC
Halogen Content	Not Low Halogen - contains Br or Cl > 900 ppm.
Solder Process Capability	Not applicable for solder process capability

Product Compliance Disclaimer

This information is provided based on reasonable inquiry of our suppliers and represents our current actual knowledge based on the information they provided. This information is subject to change. The part numbers that TE has identified as EU RoHS compliant have a maximum concentration of 0.1% by weight in homogenous materials for lead, hexavalent chromium, mercury, PBB, PBDE, DBP, BBP, DEHP, DIBP, and 0.01% for cadmium, or qualify for an exemption to these limits as defined in the Annexes of Directive 2011/65/EU (RoHS2). Finished electrical and electronic equipment products will be CE marked as required by Directive 2011/65/EU. Components may not be CE marked. Additionally, the part numbers that TE has identified as EU ELV compliant have a maximum concentration of 0.1% by weight in homogenous materials for lead, hexavalent chromium, and mercury, and 0.01% for cadmium, or qualify for an exemption to these limits as defined in the Annexes of Directive 2000/53/EC (ELV). Regarding the REACH Regulation, the information TE provides on SVHC in articles for this part number is based on the latest European Chemicals Agency (ECHA) 'Guidance on requirements for substances in articles' posted at this URL: <https://echa.europa.eu/guidance-documents/guidance-on-reach>

Compatible Parts



TE Part # 5103308-5
A/L LOW PRO HDR 20P VERT BLACK



TE Part # 5104340-4
A/L LOW PRO HDR 20P RA HT GRAY



TE Part # 1761606-7
IDC LOW PRO HDR 20P VERT LAT BLK



TE Part # 1-111446-8
020 UNIV I/O 30DP NO EARS



TE Part # 1-111504-7
020 UNIV I/O 30DP NO EARS LTCH



TE Part # 1761682-7
IDC LOW PRO HDR 20P RA HT BLACK



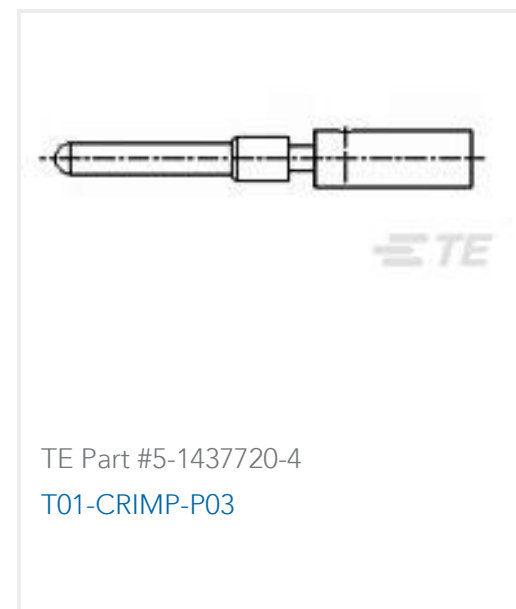
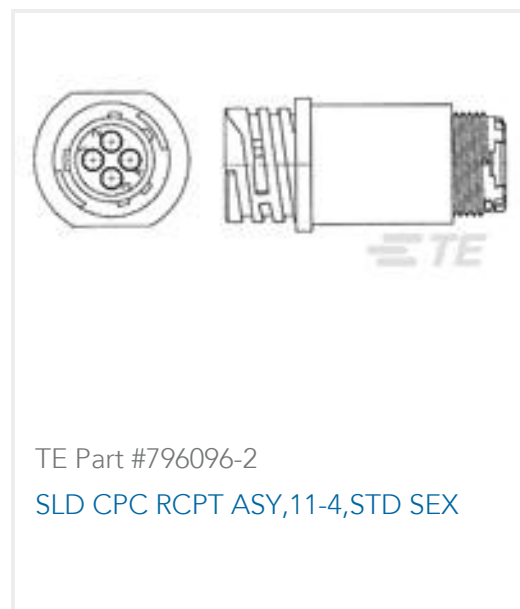
TE Part # 5103309-5
A/L LOW PRO HDR 20P VERT BLACK



TE Part # 1-1658526-2
609-2030LF FEM SOCKET, LEAD FREE



Customers Also Bought





Documents

Product Drawings

[609-2031HD=FSKT IDC S 20 SR](#)

English

CAD Files

[3D PDF](#)

3D

Customer View Model

[ENG_CVM_CVM_8-1437020-6_C.2d_dxf.zip](#)

English

Customer View Model

[ENG_CVM_CVM_8-1437020-6_C.3d_igs.zip](#)

English

Customer View Model

[ENG_CVM_CVM_8-1437020-6_C.3d_stp.zip](#)

English

By downloading the CAD file I accept and agree to the [Terms and Conditions](#) of use.

Datasheets & Catalog Pages

[Ribbon Cable Interconnect Solutions](#)

English