

796640-6 ✓ ACTIVE

Buchanan

TE Internal #: 796640-6

6 Position PCB Terminal Block, Plug, Wire-to-Board, 5 mm [.197 in]

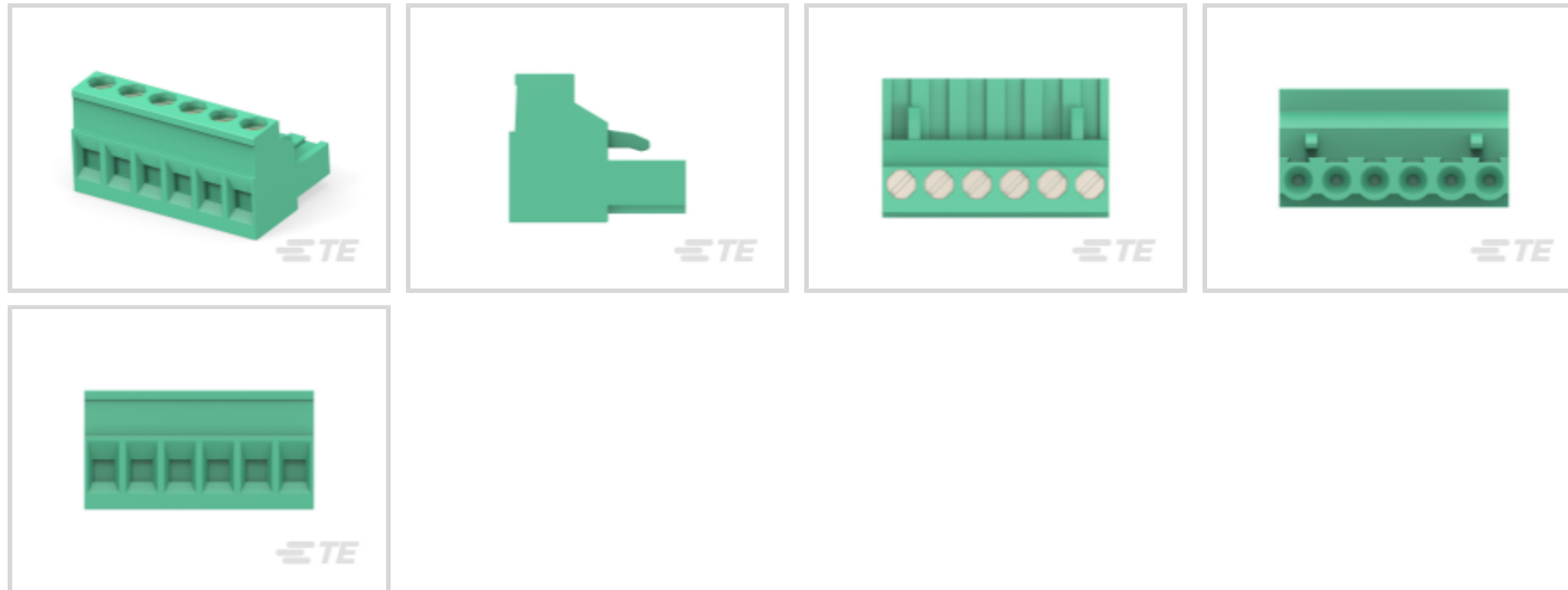
Centerline, 1 Row, 180° Wire Entry Angle, 30 – 12 AWG, .05 – 3

mm<sup>2</sup> Wire, 300 VAC

[View on TE.com >](#)



Connectors > Terminal Blocks & Strips > PCB Terminal Blocks



Terminal Block Connector Type: **Plug**

Connector System: **Wire-to-Board**

Number of Positions: **6**

Centerline (Pitch): **5 mm [.197 in]**

Number of Rows: **1**

## Features

### Product Type Features

Wire Protection	With
Terminal Block Connector Type	Plug
Connector System	Wire-to-Board
Connector & Contact Terminates To	Wire & Cable

### Configuration Features

Stacking Configuration	Side Stackable
Number of Positions	6
Number of Rows	1
Wire Entry Angle	180°
Wire Entry Location	Side

### Electrical Characteristics

Operating Voltage	300 VAC
-------------------	---------

### Body Features

Primary Product Color	Green
-----------------------	-------



Product Orientation	Right Angle
---------------------	-------------

### Contact Features

Contact Mating Area Plating Material	Tin (Sn)
Contact Base Material	Phosphor Bronze
Contact Current Rating (Max)	15 A

### Termination Features

Termination Method to Wire & Cable	Clamp & Screw
------------------------------------	---------------

### Mechanical Attachment

Screw Plating Material	Nickel
Screw Material	Brass
Thread Size	M3

### Housing Features

Housing Material	PA 66
Centerline (Pitch)	5 mm [.197 in]

### Dimensions

Wire Size	30 – 12 AWG
-----------	-------------

### Usage Conditions

Operating Temperature Range	-40 – 105 °C [-40 – 221 °F]
-----------------------------	-----------------------------

### Operation/Application

Circuit Application	Power & Signal
---------------------	----------------

### Packaging Features

Packaging Method	Carton
Packaging Quantity	100

### Product Compliance

[For compliance documentation, visit the product page on TE.com>](#)

EU RoHS Directive 2011/65/EU	Compliant with Exemptions
EU ELV Directive 2000/53/EC	Compliant with Exemptions
China RoHS 2 Directive MIIT Order No 32, 2016	有害物质含量超出标准 Restricted Substance(s) Above Threshold
EU REACH Regulation (EC) No. 1907/2006	Current ECHA Candidate List: JUNE 2025 (250)



Candidate List Declared Against: JUNE 2025 (250)  
 SVHC > Threshold:  
 Pb (2% in 4957167)

**Article Safe Usage Statements:**  
 Do not eat, drink or smoke when using this product. Wash thoroughly after handling. Recycle if possible and dispose of the article by following all applicable governmental regulations relevant to your geographic location.

Halogen Content  
 Low Halogen - Br, Cl, F < 900 ppm per homogenous material. Also BFR/CFR/PVC Free

Solder Process Capability  
 Not applicable for solder process capability

Product Compliance Disclaimer

This information is provided based on reasonable inquiry of our suppliers and represents our current actual knowledge based on the information they provided. This information is subject to change. The part numbers that TE has identified as EU RoHS compliant have a maximum concentration of 0.1% by weight in homogenous materials for lead, hexavalent chromium, mercury, PBB, PBDE, DBP, BBP, DEHP, DIBP, and 0.01% for cadmium, or qualify for an exemption to these limits as defined in the Annexes of Directive 2011/65/EU (RoHS2). Finished electrical and electronic equipment products will be CE marked as required by Directive 2011/65/EU. Components may not be CE marked. Additionally, the part numbers that TE has identified as EU ELV compliant have a maximum concentration of 0.1% by weight in homogenous materials for lead, hexavalent chromium, and mercury, and 0.01% for cadmium, or qualify for an exemption to these limits as defined in the Annexes of Directive 2000/53/EC (ELV). Regarding the REACH Regulation, the information TE provides on SVHC in articles for this part number is based on the latest European Chemicals Agency (ECHA) 'Guidance on requirements for substances in articles' posted at this URL: <https://echa.europa.eu/guidance-documents/guidance-on-reach>

### Compatible Parts

TE Part # 282822-6  
 TERMI-BLOK HEADER, ASSY90 6P.

TE Part # 796696-6  
 TERMI-BLOK PLUG STACKING 6POS.

TE Part # 1776166-6  
 6P TERMI-BLOK HDR, HIGH TEMP.

TE Part # 796864-6  
 6 POS TERMI-BLOK HDR RT ANGLE.

TE Part # 796644-6  
 6POS 5.0MM CE R/A HDR, TRM BLK.

TE Part # 282812-6  
 TERMI-BLOK HEADER, ASSY 6P. 5.

TE Part # 796642-6  
 6POS 5.0MM CE VRT HDR, TRM BLK.

### Customers Also Bought



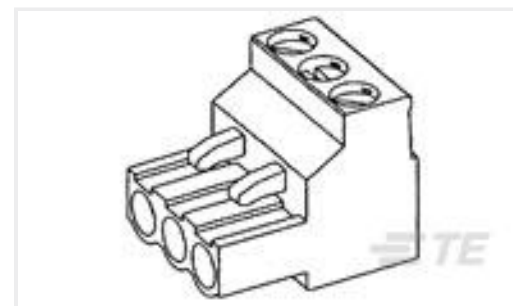
TE Part #HD36-24-33SN-L005  
PLG, 33P, AL, N, THD ADPT, NO  
DRAIN,20,S



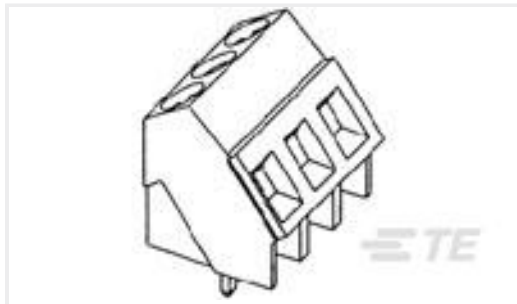
TE Part #42749-1  
SHUR PLUG 180 REC 20-16 AWG BR



TE Part #52936-2  
TERMINAL,PIDG SPR SPD 16-14 8



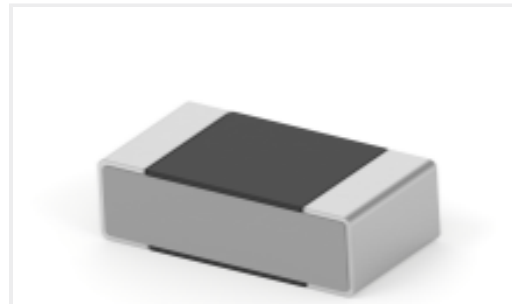
TE Part #1-282809-5  
TERMI-BLOK PLUG STACKING 4P, M



TE Part #796690-6  
TERMI-BLOK PCB MOUNT 6P



TE Part #1676390-2  
RN 0805 5K76 0.1% 10PPM 1KRL



TE Part #6-1879135-0  
RN 0603 4R87 0.1% 10PPM 5K RL



TE Part #5145299-2  
SIM/SAM RECPT,6 POS,SMT



TE Part #5535651-1  
68 MEM CARD HDR STD SMT TOP



TE Part #1-1437597-8  
2SWK131AL102=NON UL KEYLOCK

## Documents

### Product Drawings

[6 POS 5.0 MM R/A PLUG,TRM BLK](#)

English

### CAD Files

Customer View Model

[ENG\\_CVM\\_CVM\\_796640-6\\_E1.3d\\_igs.zip](#)

English

Customer View Model

[ENG\\_CVM\\_CVM\\_796640-6\\_E1.3d\\_stp.zip](#)

English

Customer View Model

[ENG\\_CVM\\_CVM\\_796640-6\\_E1.2d\\_dxf.zip](#)

English

[3D PDF](#)

3D

By downloading the CAD file I accept and agree to the [Terms and Conditions](#) of use.

### Datasheets & Catalog Pages



[Eurostyle Terminal Blocks Focus Product Stock List](#)

English

[BUCHANAN TERMINAL BLOCKS CATALOG - EUROSTYLE TERMINAL BLOCKS](#)

English

[1-1773458-1\\_EURO\\_STYLE\\_TERMINAL\\_BLOCKS\\_QRG](#)

English

---

[Product Specifications](#)

[Application Specification](#)

English

---

[Agency Approvals](#)

[UL](#)

English