

794697-1 ✓ ACTIVE

MATE-N-LOK | Commercial MATE-N-LOK

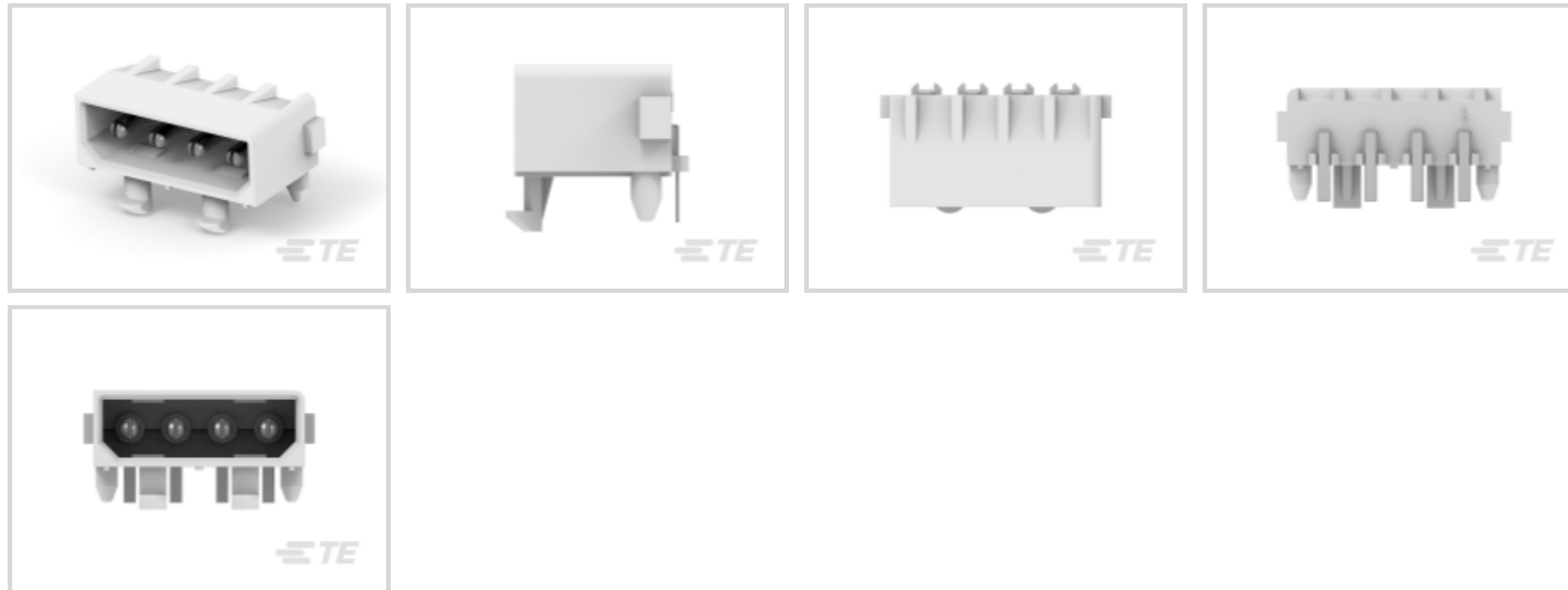
TE Internal #: 794697-1

PCB Mount Header, Right Angle, Wire-to-Board, 4 Position, 5.08 mm [.2 in] Centerline, Fully Shrouded, Tin, Commercial MATE-N-LOK

[View on TE.com >](#)



Connectors > PCB Connectors > PCB Headers & Receptacles



PCB Connector Assembly Type: **PCB Mount Header**

PCB Mount Orientation: **Right Angle**

Connector System: **Wire-to-Board**

Number of Positions: **4**

Number of Rows: **1**

Features

Electrical Characteristics

Operating Voltage	250 VAC
-------------------	---------

Dimensions

Connector Width	12.29 mm[.48 in]
PCB Thickness (Recommended)	2.36 mm[.093 in]
Connector Height	8.76 mm[.345 in]
Connector Length	25.4 mm[1 in]

Packaging Features

Packaging Quantity	100
Packaging Method	Bag

Industry Standards

Compatible With Agency/Standards Products	UL
UL Rating	Recognized
Compatible With Approved Standards Products	UL E28476
UL Flammability Rating	UL 94V-2



Usage Conditions

Operating Temperature (Max)	105 °C[221 °F]
Operating Temperature Range	-55 – 105 °C[-67 – 221 °F]

Operation/Application

Shielded	No
Circuit Application	Power

Mechanical Attachment

Mating Retention Type	Detent Lock
Mating Retention	With
Mating Alignment Type	Polarization
PCB Mount Retention Type	Boardlock
PCB Mount Alignment Type	Locating Posts
PCB Mount Retention	With
PCB Mount Alignment	With
Connector Mounting Type	Board Mount
Mating Alignment	With

Termination Features

Termination Post & Tail Length	3.56 mm[.14 in]
Termination Method to PCB	Through Hole - Solder

Contact Features

Contact Layout	Inline
Contact Base Material	Phosphor Bronze
PCB Contact Termination Area Plating Material	Pre-Tin
Contact Mating Area Plating Material	Tin
Contact Type	Pin
Contact Current Rating (Max)	15 A

Housing Features

Housing Material	Nylon
Centerline (Pitch)	5.08 mm[.2 in]

Configuration Features

Number of Loaded Positions	4
Number of Power Positions	4



PCB Mount Orientation	Right Angle
Number of Positions	4
Number of Rows	1

Product Type Features

Connector Shape	Rectangular
PCB Connector Assembly Type	PCB Mount Header
Connector System	Wire-to-Board
Header Type	Fully Shrouded
Sealable	No
Connector & Contact Terminates To	Printed Circuit Board

Body Features

Primary Product Color	Natural
-----------------------	---------

Other

EU RoHS Compliance	Compliant
EU ELV Compliance	Compliant

Product Compliance

[For compliance documentation, visit the product page on TE.com>](#)

EU RoHS Directive 2011/65/EU	Compliant
EU ELV Directive 2000/53/EC	Compliant
China RoHS 2 Directive MIIT Order No 32, 2016	No Restricted Materials Above Threshold
EU REACH Regulation (EC) No. 1907/2006	Current ECHA Candidate List: JUNE 2024 (241) Candidate List Declared Against: JUNE 2024 (241) Does not contain REACH SVHC
Halogen Content	Low Halogen - Br, Cl, F, I < 900 ppm per homogenous material. Also BFR/CFR/PVC Free
Solder Process Capability	Wave solder capable to 265°C

Product Compliance Disclaimer

This information is provided based on reasonable inquiry of our suppliers and represents our current actual knowledge based on the information they provided. This information is subject to change. The part numbers that TE has identified as EU RoHS compliant have a maximum concentration of 0.1% by weight in homogenous materials for lead, hexavalent chromium, mercury, PBB, PBDE, DBP, BBP, DEHP, DIBP, and 0.01% for cadmium, or qualify for an exemption to these limits as defined in the Annexes of Directive 2011/65/EU (RoHS2). Finished electrical and electronic equipment products will be CE marked as required by Directive 2011/65/EU. Components may not be CE marked. Additionally, the part

numbers that TE has identified as EU ELV compliant have a maximum concentration of 0.1% by weight in homogenous materials for lead, hexavalent chromium, and mercury, and 0.01% for cadmium, or qualify for an exemption to these limits as defined in the Annexes of Directive 2000/53/EC (ELV). Regarding the REACH Regulation, the information TE provides on SVHC in articles for this part number is based on the latest European Chemicals Agency (ECHA) 'Guidance on requirements for substances in articles' posted at this URL: <https://echa.europa.eu/guidance-documents/guidance-on-reach>

Compatible Parts



TE Part # 794431-1
04P CMNL PIN HDR SN LONG TAIL



TE Part # 827001-2
4P MNL STIFTSOCKEL



TE Part # 770149-1
04P CMNL PIN HDR ASSY R/A



TE Part # 643488-1
03P CMNL HDR ASSY R/A



TE Part # 770846-1
04P CMNL HDR ASSY R/A BLK HT



TE Part # 794120-2
02P CMNL PC HDR ASSY RA V0



TE Part # 794120-1
02P CMNL PC HDR ASSY RA



TE Part # 1-641737-1
04P CMNL HDR ASSY R/A V0

Also in the Series | Commercial MATE-N-LOK



Connector Contacts(150)



Crimp Wire Pins, Tabs & Ferrules(2)



Power Contacts(146)



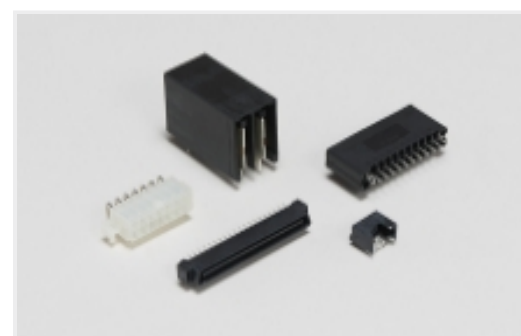
Rectangular Connector Housings(9)



Rectangular Power Connectors(115)



Standard Circular Connectors(2)



Standard Rectangular Connectors(11)

Customers Also Bought



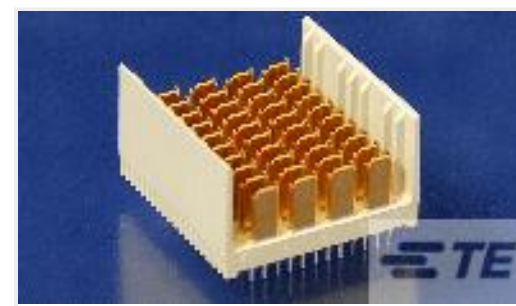
TE Part #2065657-1
zd Plus, 4 pair, receptacle assy



TE Part #2149730-3
SFP+ Enhanced 1x4 Cage, SAN Heatsink



TE Part #194018-1
PIN ASSY..070



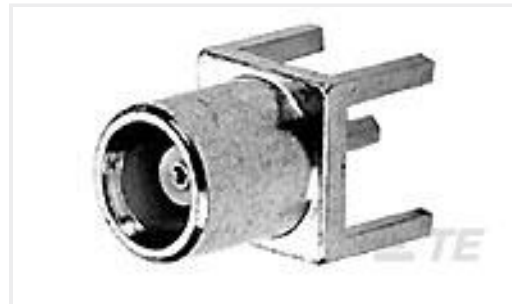
TE Part #6469002-1
HM-ZD 4PR HDR 80P 5.2MM



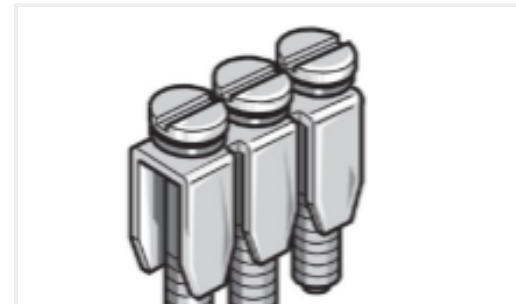
TE Part #747844-4
09 MSFL RCPT RA 318 (IN,FM,BL)



TE Part #2007263-1
SFP+ 1x2 Cage Assembly



TE Part #1060984-1
5862 5002 09,OSX PCB JACK



TE Part #1SNA168973R0700
BJM6-10

Documents

Product Drawings

[04P CMNL HDR ASSY R/A PC NATL](#)

English

CAD Files

Customer View Model

[ENG_CVM_794697-1_A.3d_igs.zip](#)

English

Customer View Model

[ENG_CVM_794697-1_A.3d_stp.zip](#)

English

Customer View Model

[ENG_CVM_794697-1_A.2d_dxf.zip](#)

English

3D PDF

English

By downloading the CAD file I accept and agree to the [Terms and Conditions](#) of use.

Product Specifications

[Application Specification](#)

English

Agency Approvals

[Agency Approval Document](#)

English