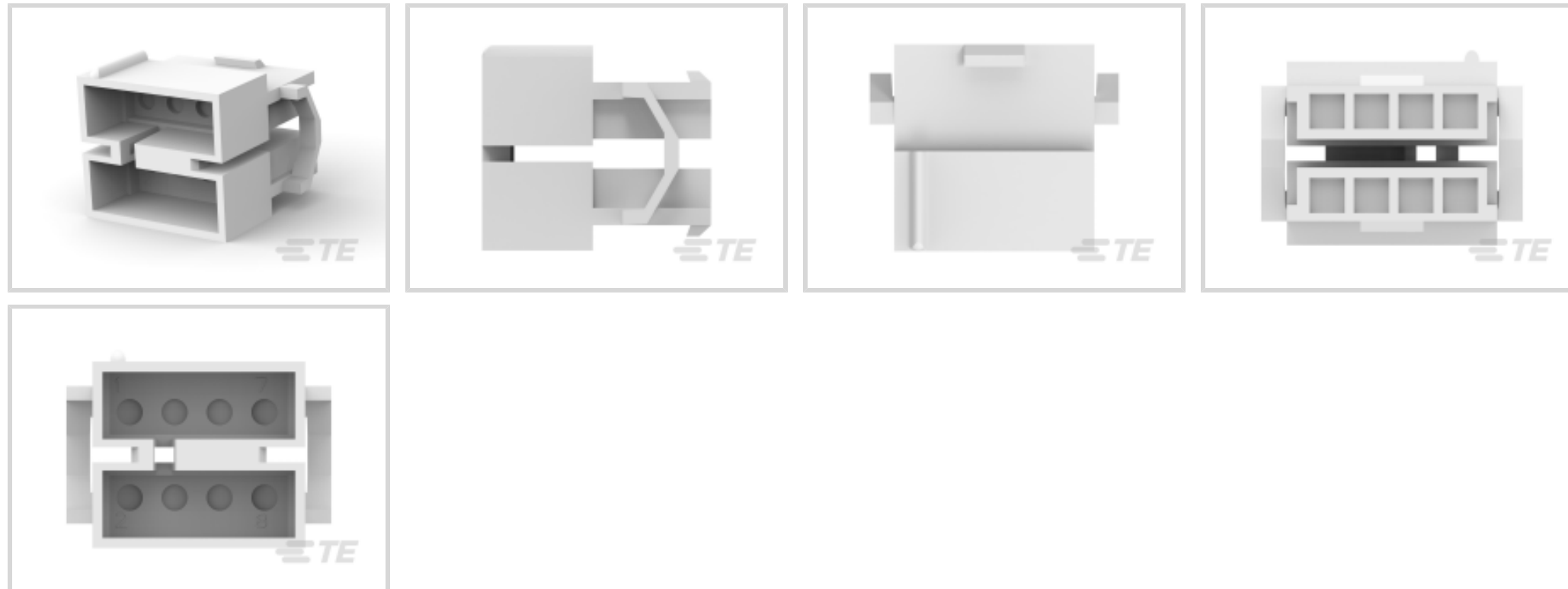




Connectors > Power Connectors > Rectangular Power > Rectangular Power Connectors



Rectangular Power Connector Type: **Housing**

Connector & Housing Type: **Receptacle**

Connector System: **Wire-to-Panel, Wire-to-Wire**

Number of Positions: **8**

Centerline (Pitch): **4.95 mm [ .195 in ]**

## Features

### Identification Marking

Circuit Identification Feature	Without
--------------------------------	---------

### Packaging Features

Packaging Quantity	1
Packaging Method	Package

### Dimensions

Panel Thickness (Recommended)	25.9 – 64.51 mm[1.02 – 2.54 in]
Product Width	28.45 mm[1.12 in]
Product Length	14.73 mm[.579 in]
Connector Height	23.62 mm[.93 in]
Row-to-Row Spacing	9.14 mm[.36 in]

### Contact Features

Multiple Contact Types	Without
Contact Layout	Matrix
Contact Retention Within Housing	Without

Contact Type	Pin
--------------	-----

### Mechanical Attachment

Panel Mount Feature	With
Panel Mount Feature Type	Mounting Brackets
Connector Mounting Type	Panel Mount

### Industry Standards

Compatible With Agency/Standards Products	UL, CSA
UL Rating	Recognized
Compatible With Approved Standards Products	UL E28476
CSA Rating	Certified
UL Flammability Rating	UL 94V-2
Glow Wire Rating	Standard Part - Not Glow Wire

### Product Type Features

Rectangular Power Connector Type	Housing
Connector & Housing Type	Receptacle
Connector System	Wire-to-Panel, Wire-to-Wire
Sealable	No
Connector & Contact Terminates To	Wire & Cable

### Configuration Features

Number of Positions	8
Number of Rows	2

### Electrical Characteristics

Operating Voltage	250 VAC
-------------------	---------

### Termination Features

Termination Method to Wire & Cable	Crimp
------------------------------------	-------

### Housing Features

Centerline (Pitch)	4.95 mm [.195 in]
Housing Color	Natural
Housing Material	Nylon 6/6

### Usage Conditions

Operating Temperature Range	-55 – 105 °C [-67 – 221 °F]
-----------------------------	-----------------------------



## Operation/Application

Circuit Application

Power &amp; Signal

## Other

EU RoHS Compliance

Compliant

EU ELV Compliance

Compliant

## Product Compliance

[For compliance documentation, visit the product page on TE.com>](#)

EU RoHS Directive 2011/65/EU

Compliant

EU ELV Directive 2000/53/EC

Compliant

China RoHS 2 Directive MIIT Order No 32, 2016

No Restricted Materials Above Threshold

EU REACH Regulation (EC) No. 1907/2006

Current ECHA Candidate List: JUNE 2024 (241)  
 Candidate List Declared Against: JUNE 2024 (241)  
 Does not contain REACH SVHC

Halogen Content

Low Halogen - Br, Cl, F, I < 900 ppm per homogenous material. Also BFR/CFR/PVC Free

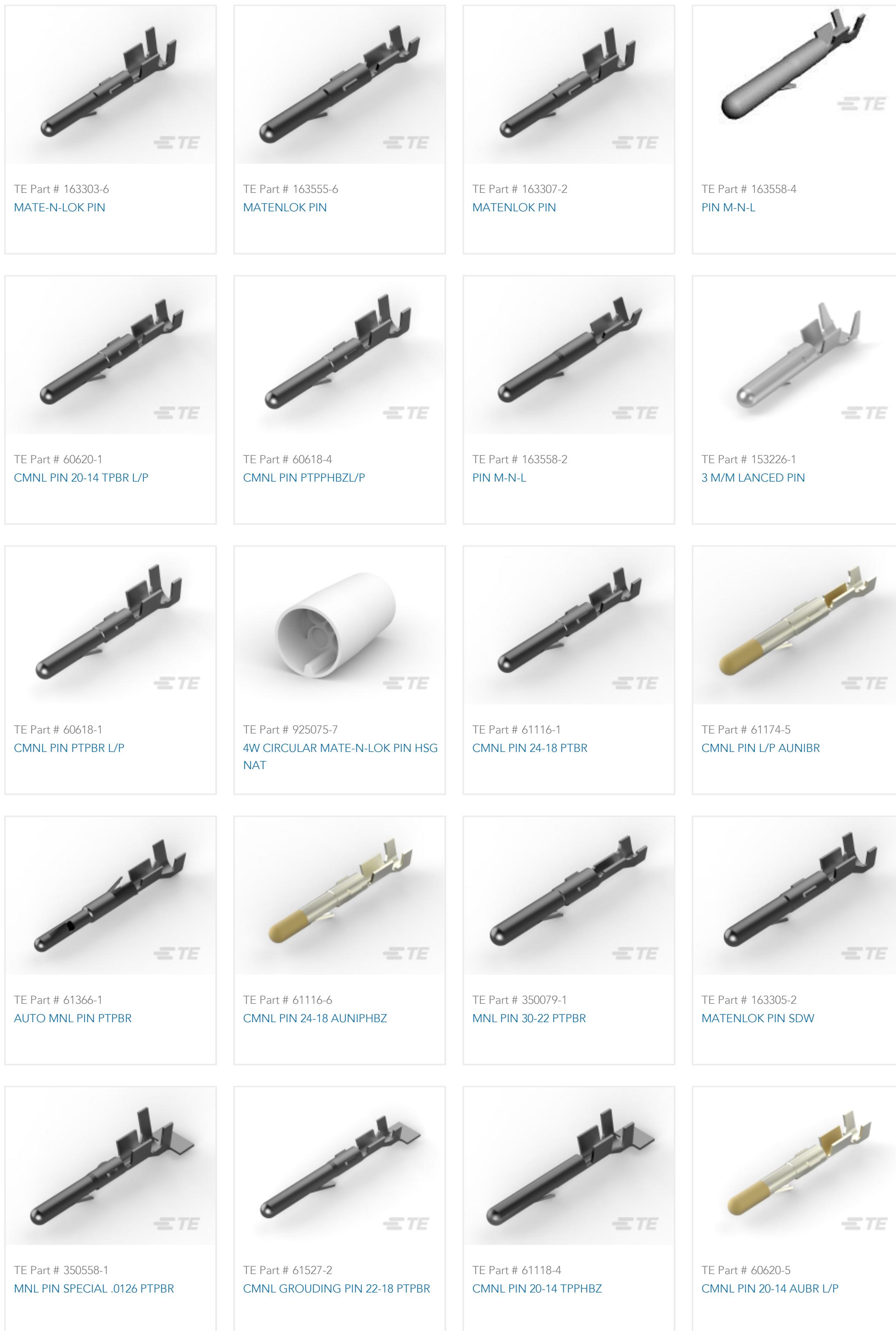
Solder Process Capability

Not applicable for solder process capability

### Product Compliance Disclaimer

This information is provided based on reasonable inquiry of our suppliers and represents our current actual knowledge based on the information they provided. This information is subject to change. The part numbers that TE has identified as EU RoHS compliant have a maximum concentration of 0.1% by weight in homogenous materials for lead, hexavalent chromium, mercury, PBB, PBDE, DBP, BBP, DEHP, DIBP, and 0.01% for cadmium, or qualify for an exemption to these limits as defined in the Annexes of Directive 2011/65/EU (RoHS2). Finished electrical and electronic equipment products will be CE marked as required by Directive 2011/65/EU. Components may not be CE marked. Additionally, the part numbers that TE has identified as EU ELV compliant have a maximum concentration of 0.1% by weight in homogenous materials for lead, hexavalent chromium, and mercury, and 0.01% for cadmium, or qualify for an exemption to these limits as defined in the Annexes of Directive 2000/53/EC (ELV). Regarding the REACH Regulation, the information TE provides on SVHC in articles for this part number is based on the latest European Chemicals Agency (ECHA) 'Guidance on requirements for substances in articles' posted at this URL: <https://echa.europa.eu/guidance-documents/guidance-on-reach>

## Compatible Parts



Also in the Series | [Commercial Pin and Socket Connectors](#)



Connector Contacts(41)



Insertion & Extraction Tools(3)



Power Contacts(39)



Rectangular Connector Housings(10)



Rectangular Power Connectors(84)

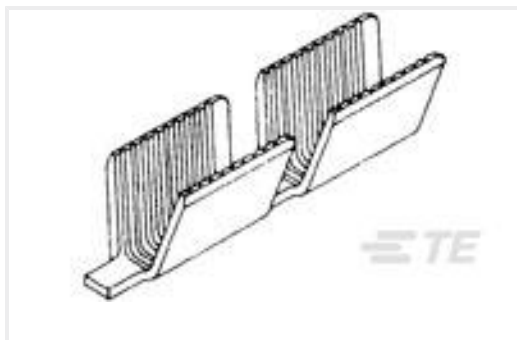


Standard Circular Connectors(1)



Standard Rectangular Connectors(10)

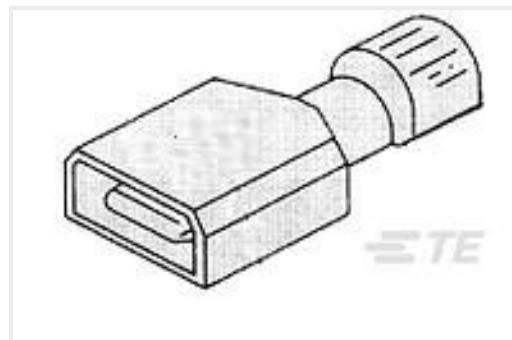
## Customers Also Bought



TE Part #62306-2  
AMVAR SPLC 1500-5000 020TPBR



TE Part #4-280050-1  
250 FASTON,FLAG,REC.,16-20 AWG, BR



TE Part #2-520102-2  
ULTRA-FAST 250 ASSEMBLY TAB 22-18 AWG BR



TE Part #2-520128-2  
ULTRA-FAST 250 ASY REC 22-18 AWG TPBR



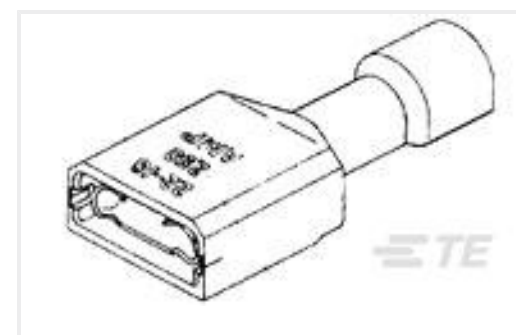
TE Part #53242-6  
PG SPR SPD 22-16COM22-18MIL 10



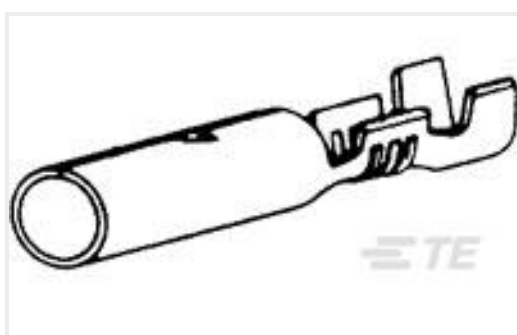
TE Part #350218-1  
UMNL PIN 20-14 .0126TPBR



TE Part #1-480276-0  
06P CMNL CAP HSG P/M NATL



TE Part #3-520140-4  
ULTRA-FAST 250 ASY REC 16-14 AWG TPBR



TE Part #60798-2  
SHUR PLUG 180 RECEPTACLE 18-14 AWG BR



TE Part #62613-2  
RING .190 12-10 AWG 0245 TPCRS

## Documents



**Product Drawings**

[08P CMNL CAP HSG D/L](#)

English

---

**CAD Files**

[3D PDF](#)

3D

Customer View Model

[ENG\\_CVM\\_CVM\\_794048-1\\_C.2d\\_dxf.zip](#)

English

Customer View Model

[ENG\\_CVM\\_CVM\\_794048-1\\_C.3d\\_igs.zip](#)

English

Customer View Model

[ENG\\_CVM\\_CVM\\_794048-1\\_C.3d\\_stp.zip](#)

English

By downloading the CAD file I accept and agree to the [Terms and Conditions](#) of use.

---

**Product Specifications**

[Application Specification](#)

English

---

**Agency Approvals**

[Agency Approval Document](#)

English

[Agency Approval Document](#)

English