

770432-1 ✓ ACTIVE

Commercial Pin and Socket Connectors

TE Internal #: 770432-1

Housing, Receptacle, Wire-to-Wire, 4 Position, 3.68 mm [.145 in]
Centerline, Commercial Pin and Socket Connectors, Rectangular
Power Connectors

[View on TE.com >](#)



Connectors > Power Connectors > Rectangular Power > Rectangular Power Connectors



Rectangular Power Connector Type: **Housing**

Connector & Housing Type: **Receptacle**

Connector System: **Wire-to-Wire**

Number of Positions: **4**

Centerline (Pitch): **3.68 mm [.145 in]**

Features

Packaging Features

Packaging Quantity	1
Packaging Method	Box

Dimensions

Compatible Insulation Diameter Range	1.27 – 2.79 mm [.05 – .11 in]
Product Width	8.26 mm [.325 in]
Product Length	21.34 mm [.84 in]
Connector Height	8.26 mm [.325 in]
Wire Size	394.71 – 1776.17 CMA
Row-to-Row Spacing	3.68 mm [.145 in]

Mechanical Attachment

Panel Mount Feature	Without
Connector Mounting Type	Cable Mount (Free-Hanging)

Industry Standards

Compatible With Agency/Standards Products	UL, CSA
---	---------



UL Rating	Recognized
Compatible With Approved Standards Products	UL E28476
CSA Rating	LR 7189
UL Flammability Rating	UL 94V-2
Glow Wire Rating	Standard Part - Not Glow Wire

Configuration Features

Compatible With Wire & Cable Type	Discrete Wire
Number of Positions	4
Number of Signal Positions	4
Number of Rows	2

Product Type Features

Rectangular Power Connector Type	Housing
Connector & Housing Type	Receptacle
Connector System	Wire-to-Wire
Sealable	No
Connector & Contact Terminates To	Wire & Cable

Electrical Characteristics

Operating Voltage	250 VDC
-------------------	---------

Contact Features

Contact Retention Within Housing	Without
Contact Type	Socket

Termination Features

Termination Method to Wire & Cable	Crimp
------------------------------------	-------

Housing Features

Centerline (Pitch)	3.68 mm [.145 in]
Housing Color	Natural
Housing Material	Nylon

Usage Conditions

Operating Temperature Range	-55 – 105 °C [-67 – 221 °F]
-----------------------------	-----------------------------

Operation/Application

Circuit Application	Power & Signal
---------------------	----------------



Other

EU RoHS Compliance	Compliant
EU ELV Compliance	Compliant

Product Compliance

[For compliance documentation, visit the product page on TE.com>](#)

EU RoHS Directive 2011/65/EU	Compliant
EU ELV Directive 2000/53/EC	Compliant
China RoHS 2 Directive MIIT Order No 32, 2016	No Restricted Materials Above Threshold
EU REACH Regulation (EC) No. 1907/2006	Current ECHA Candidate List: JUNE 2024 (241) Candidate List Declared Against: JUNE 2024 (241) Does not contain REACH SVHC
Halogen Content	Low Halogen - Br, Cl, F, I < 900 ppm per homogenous material. Also BFR/CFR/PVC Free
Solder Process Capability	Not applicable for solder process capability

Product Compliance Disclaimer

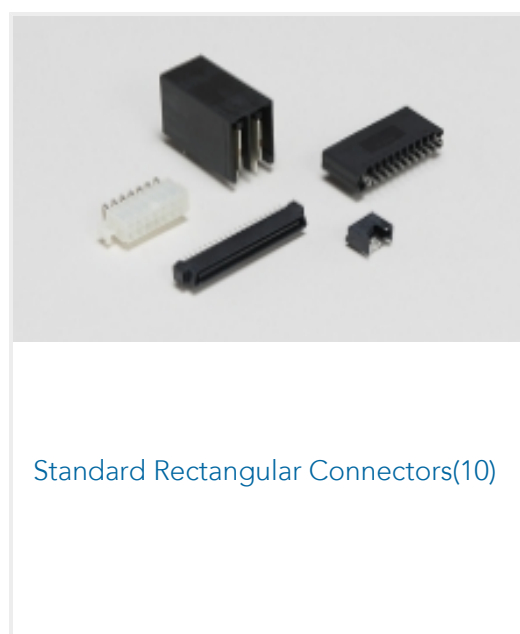
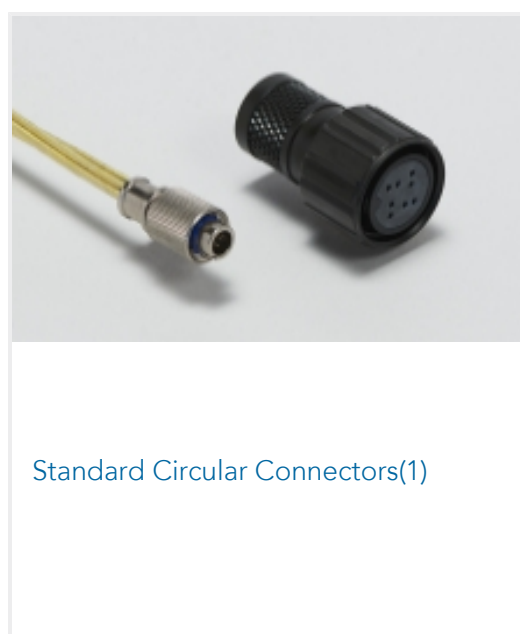
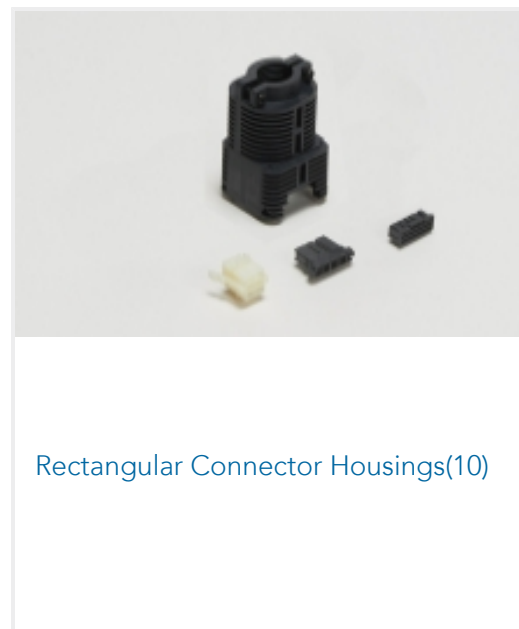
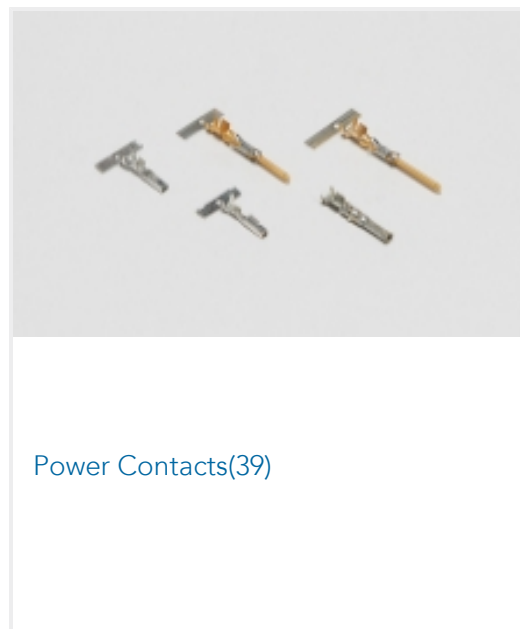
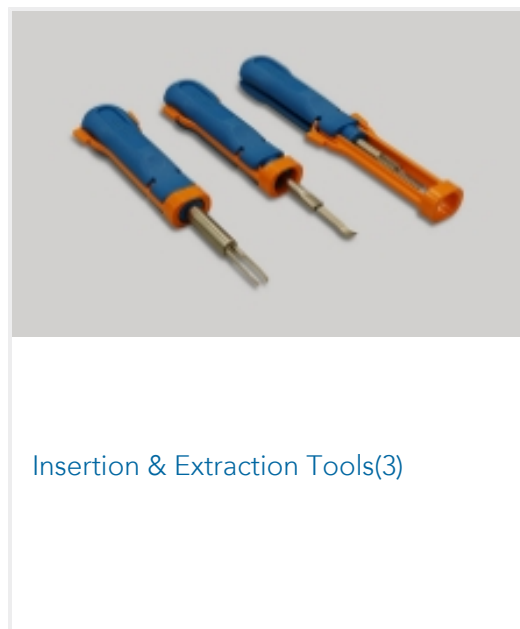
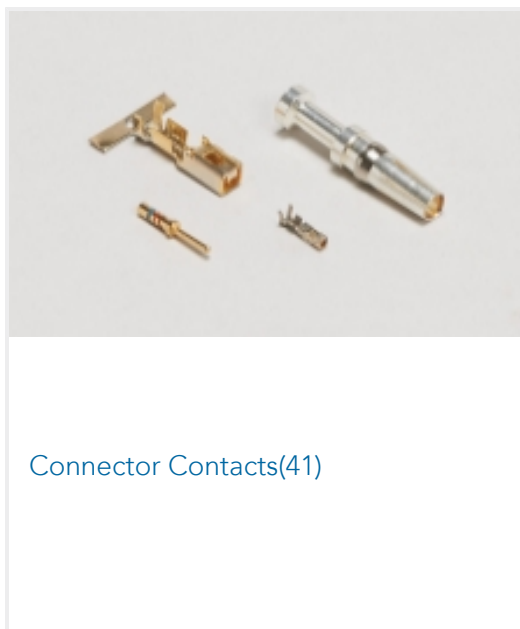
This information is provided based on reasonable inquiry of our suppliers and represents our current actual knowledge based on the information they provided. This information is subject to change. The part numbers that TE has identified as EU RoHS compliant have a maximum concentration of 0.1% by weight in homogenous materials for lead, hexavalent chromium, mercury, PBB, PBDE, DBP, BBP, DEHP, DIBP, and 0.01% for cadmium, or qualify for an exemption to these limits as defined in the Annexes of Directive 2011/65/EU (RoHS2). Finished electrical and electronic equipment products will be CE marked as required by Directive 2011/65/EU. Components may not be CE marked. Additionally, the part numbers that TE has identified as EU ELV compliant have a maximum concentration of 0.1% by weight in homogenous materials for lead, hexavalent chromium, and mercury, and 0.01% for cadmium, or qualify for an exemption to these limits as defined in the Annexes of Directive 2000/53/EC (ELV). Regarding the REACH Regulation, the information TE provides on SVHC in articles for this part number is based on the latest European Chemicals Agency (ECHA) 'Guidance on requirements for substances in articles' posted at this URL: <https://echa.europa.eu/guidance-documents/guidance-on-reach>

Compatible Parts

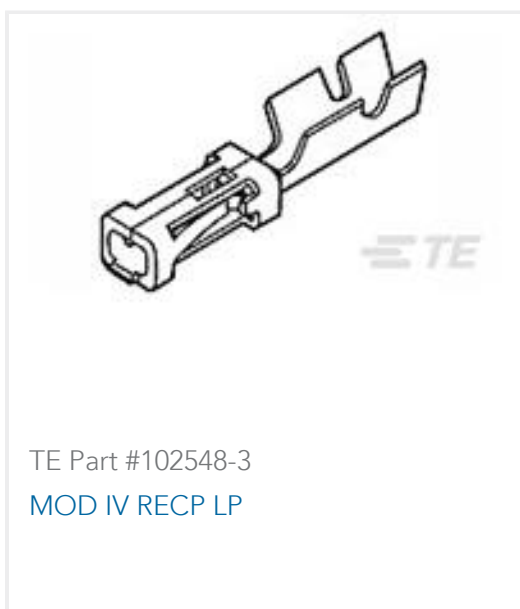
 <p>TE Part # 794019-1 .062 CP&S SOK PTPBR L/P 30-24</p>	 <p>TE Part # 794016-1 .062 CP&S SOK PTPBR L/P 24-18</p>	 <p>TE Part # 350628-8 .062 CP&S SOK 18-24 PTPBR PLST</p>	 <p>TE Part # 350629-1 .062 COMM P&S PIN 18-24 PTPBR</p>
---	---	--	---



Also in the Series | Commercial Pin and Socket Connectors

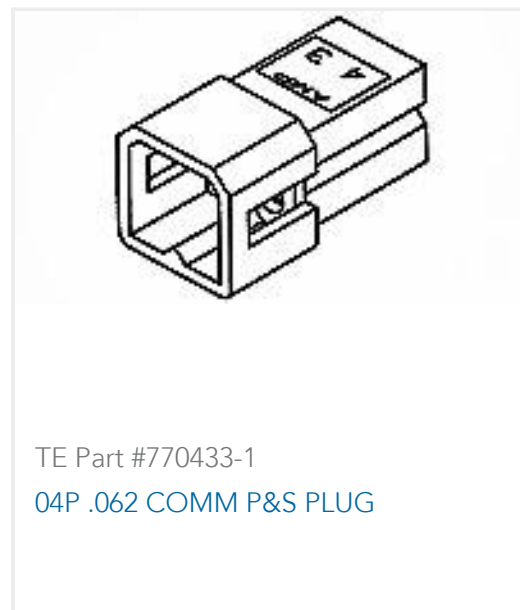


Customers Also Bought





TE Part #794611-1
MICRO MNL RPT CNT,LS PC,TIN



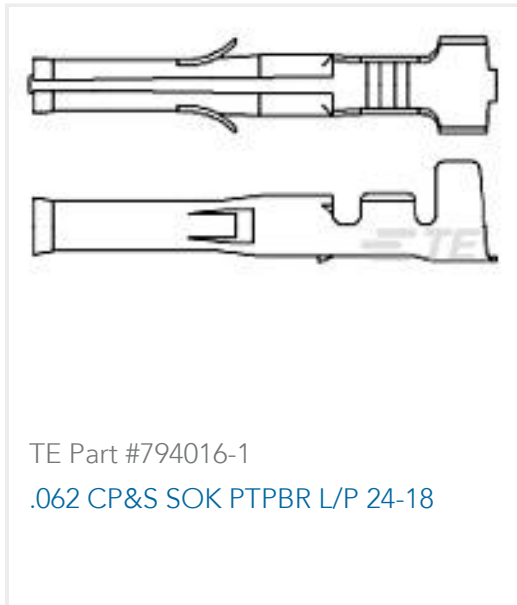
TE Part #770433-1
04P .062 COMM P&S PLUG



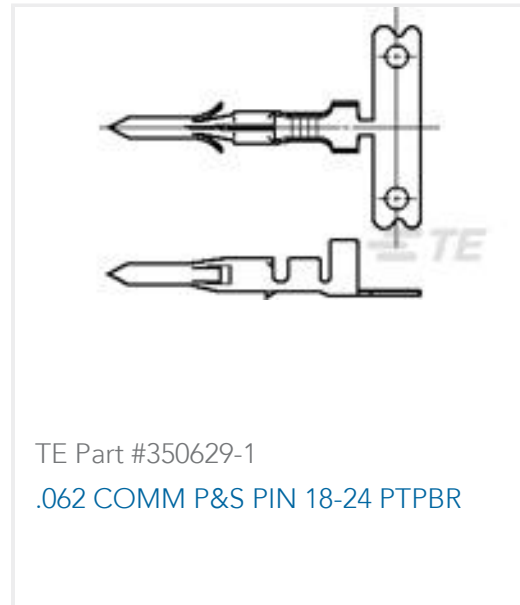
TE Part #350415-1
.093 COMM P&S SOK 14-20 PTPBR



TE Part #1-87631-5
20 MODIV HSG COMP DR .100 POL



TE Part #794016-1
.062 CP&S SOK PTPBR L/P 24-18



TE Part #350629-1
.062 COMM P&S PIN 18-24 PTPBR

Documents

Product Drawings

[04P .062 COMM P&S RECPT](#)

English

CAD Files

[3D PDF](#)

3D

Customer View Model

[ENG_CVM_CVM_770432-1_F.2d_dxf.zip](#)

English

Customer View Model

[ENG_CVM_CVM_770432-1_F.3d_igs.zip](#)

English

Customer View Model

[ENG_CVM_CVM_770432-1_F.3d_stp.zip](#)

English

Customer View Model

[ENG_CVM_770432-1_D.3d_igs.zip](#)

English

Customer View Model

[ENG_CVM_770432-1_D.3d_stp.zip](#)

English

Customer View Model

[ENG_CVM_770432-1_D.2d_dxf.zip](#)

English

[3D PDF](#)

English



By downloading the CAD file I accept and agree to the [Terms and Conditions](#) of use.

Product Specifications

Application Specification

English

Agency Approvals

Agency Approval Document

English