

749812-9 ✓ ACTIVE

AMPLIMITE

TE Internal #: 749812-9

25 Position D-Shaped Connector, Receptacle, Cable-to-Cable,
Panel Mount, Shell Size 3

[View on TE.com >](#)



Connectors > D-Shaped Connectors > D-Sub Crimp Recpt Signal 25 Posn, Socket Size 20, Shell Size 3



Number of Positions: 25

Connector & Housing Type: **Receptacle**

Connector System: **Cable-to-Cable**

Connector Mounting Type: **Panel Mount**

Connector Shell Size: 3

[All D-Sub Crimp Recpt Signal 25 Posn, Socket Size 20, Shell Size 3 \(9\)](#)

Features

Product Type Features

Shell Material Configuration	Full Metal Shell
Connector & Housing Type	Receptacle
Connector System	Cable-to-Cable
Connector Shell Size	3
Sealable	No
Connector & Contact Terminates To	Wire & Cable

Configuration Features

Number of Positions	25
---------------------	----

Body Features

Shell Plating Material	Tin over Copper
Mating Retention Feature Material	Stainless Steel
Primary Product Color	Black
Insert Material	Nylon GF



Contact Features

Contact Size	Size 20
Contact Options	Supplied – Uninstalled

Termination Features

Termination Method to Wire & Cable	Crimp
------------------------------------	-------

Mechanical Attachment

Mounting Feature Material	Steel
Mating Retention Feature Plating Material	Zinc
Connector Mounting Type	Panel Mount
Mating Retention	With
Mating Retention Type	Mounting Screws, Retainer Clip

Housing Features

Housing Material	Nylon GF, Polyester GF
Shell Material	Steel
Centerline (Pitch)	2.74 mm, 2.77 mm, 2.79 mm [.108 in][.109 in] [.11 in]

Dimensions

Compatible Insulation Diameter Range	4.58 – 11.68 mm
Wire Size	24 – 20 AWG

Usage Conditions

Operating Temperature Range	-55 – 105 °C[-67 – 221 °F]
-----------------------------	----------------------------

Operation/Application

Shielded	No
Circuit Application	Signal

Industry Standards

UL Flammability Rating	UL 94V-0
------------------------	----------

Packaging Features

Packaging Method	Kit, Package
Packaging Quantity	5

Product Compliance

[For compliance documentation, visit the product page on TE.com>](#)



EU RoHS Directive 2011/65/EU	Compliant
EU ELV Directive 2000/53/EC	Compliant
China RoHS 2 Directive MIIT Order No 32, 2016	No Restricted Materials Above Threshold
EU REACH Regulation (EC) No. 1907/2006	Current ECHA Candidate List: JUNE 2025 (250) Candidate List Declared Against: JUNE 2022 (224) Does not contain REACH SVHC
Halogen Content	Low Halogen - Br, Cl, F < 900 ppm per homogenous material. Also BFR/CFR/PVC Free
Solder Process Capability	Not applicable for solder process capability

Product Compliance Disclaimer

This information is provided based on reasonable inquiry of our suppliers and represents our current actual knowledge based on the information they provided. This information is subject to change. The part numbers that TE has identified as EU RoHS compliant have a maximum concentration of 0.1% by weight in homogenous materials for lead, hexavalent chromium, mercury, PBB, PBDE, DBP, BBP, DEHP, DIBP, and 0.01% for cadmium, or qualify for an exemption to these limits as defined in the Annexes of Directive 2011/65/EU (RoHS2). Finished electrical and electronic equipment products will be CE marked as required by Directive 2011/65/EU. Components may not be CE marked. Additionally, the part numbers that TE has identified as EU ELV compliant have a maximum concentration of 0.1% by weight in homogenous materials for lead, hexavalent chromium, and mercury, and 0.01% for cadmium, or qualify for an exemption to these limits as defined in the Annexes of Directive 2000/53/EC (ELV). Regarding the REACH Regulation, the information TE provides on SVHC in articles for this part number is based on the latest European Chemicals Agency (ECHA) 'Guidance on requirements for substances in articles' posted at this URL: <https://echa.europa.eu/guidance-documents/guidance-on-reach>

Compatible Parts



TE Part # 749808-7
KIT, HDP-20, PLUG, SIZE 1, 25 POS

Customers Also Bought



TE Part #CAT-D487-W416
Wedgelocks: DEUTSCH DT



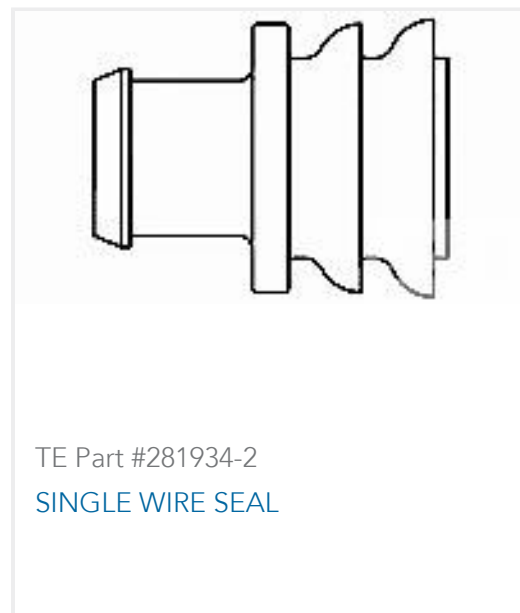
TE Part #CAT-D48-ST273
DEUTSCH Solid Contacts



TE Part #DT06-2S
PLG, 2P, GRY, N



TE Part #DT04-2P
REC, 2P, GRY, N



Documents

Product Drawings

[KIT,HDP-20,RCPT,SIZE 3, 25 POS](#)

English

CAD Files

[3D PDF](#)

3D

Customer View Model

[ENG_CVM_CVM_749812-9_K.2d_dxf.zip](#)

English

Customer View Model

[ENG_CVM_CVM_749812-9_K.3d_igs.zip](#)

English

Customer View Model

[ENG_CVM_CVM_749812-9_K.3d_stp.zip](#)

English

By downloading the CAD file I accept and agree to the [Terms and Conditions](#) of use.

Product Specifications

[Application Specification](#)

English

[Application Specification](#)

English

Instruction Sheets

[Instruction Sheet \(U.S.\)](#)

English

[Instruction Sheet \(U.S.\)](#)

English