



AMPLIMITE

TE Internal #: 749806-8

Receptacle, Cable-to-Cable, 15 Position, Size 20 Contact Size, 2 Shell Size, Shielded, 2.74 mm [.108 in] Centerline, Crimp D-Sub Connectors

[View on TE.com >](#)

[Connectors > D-Shaped Connectors > D-Sub Connectors > Crimp D-Sub Connectors >](#)

[D-Sub Crimp Recpt Signal 15 Posn, Socket Size 20, Shell Size 2](#)



Connector & Housing Type: **Receptacle**

Connector System: **Cable-to-Cable**

Number of Positions: **15**

Contact Size: **Size 20**

Connector Shell Size: **2**

[All D-Sub Crimp Recpt Signal 15 Posn, Socket Size 20, Shell Size 2 \(9\)](#)

Features

Industry Standards

UL Flammability Rating	UL 94V-0
------------------------	----------

Termination Features

Termination Method to Wire & Cable	Crimp
------------------------------------	-------

Body Features

Shell Plating Material	Tin over Copper
Mating Retention Feature Material	Stainless Steel
Primary Product Color	Black
Insert Material	Nylon GF

Packaging Features

Packaging Method	Package, Kit
Packaging Quantity	1

Dimensions

Compatible Insulation Diameter Range	4.7 – 8.13 mm
Wire Size	24 – 20 AWG

Housing Features

--	--



Housing Material	Nylon GF, Polyester GF
Shell Material	Steel
Centerline (Pitch)	2.74 mm [.108 in]

Operation/Application

Circuit Application	Signal
Shielded	Yes

Mechanical Attachment

Mounting Feature Plating Material	Zinc
Mounting Feature Material	Steel
Mating Retention	With
Mating Retention Type	Mounting Holes
Connector Mounting Type	Panel Mount

Contact Features

Contact Options	Supplied – Uninstalled
Contact Size	Size 20

Product Type Features

Shell Material Configuration	Full Metal Shell
Connector & Contact Terminates To	Wire & Cable
Connector Seal & Plug Type	Grommet Seal
Connector & Housing Type	Receptacle
Connector System	Cable-to-Cable
Connector Shell Size	2
Sealable	No

Configuration Features

Number of Positions	15
---------------------	----

Usage Conditions

Operating Temperature Range	-55 – 105 °C [-67 – 221 °F]
-----------------------------	-----------------------------

Other

EU RoHS Compliance	Compliant
EU ELV Compliance	Compliant

Product Compliance



[For compliance documentation, visit the product page on TE.com>](#)

EU RoHS Directive 2011/65/EU	Compliant
EU ELV Directive 2000/53/EC	Compliant
China RoHS 2 Directive MIIT Order No 32, 2016	No Restricted Materials Above Threshold
EU REACH Regulation (EC) No. 1907/2006	Current ECHA Candidate List: JUNE 2024 (241) Candidate List Declared Against: JAN 2023 (233) Does not contain REACH SVHC
Halogen Content	Not Low Halogen - contains Br or Cl > 900 ppm.
Solder Process Capability	Not applicable for solder process capability

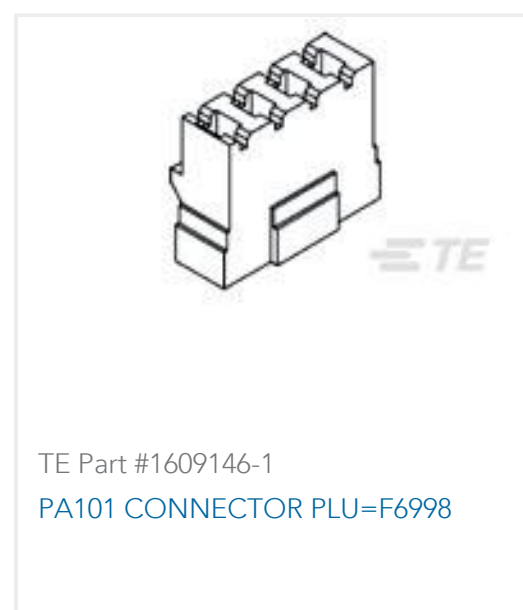
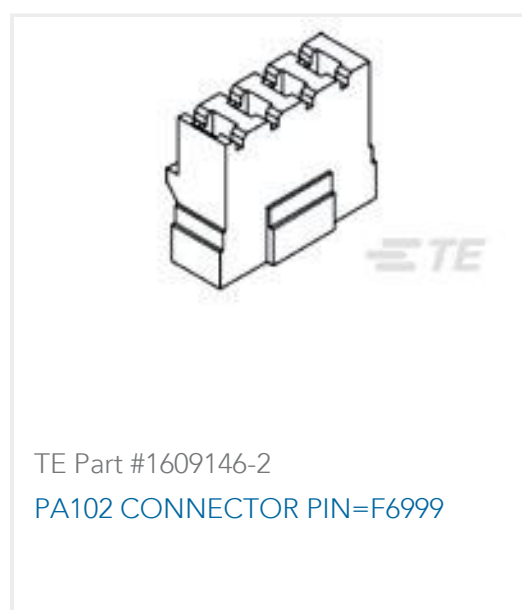
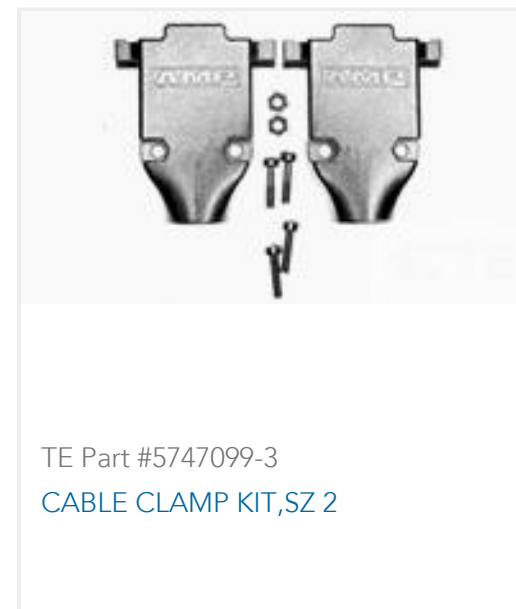
Product Compliance Disclaimer

This information is provided based on reasonable inquiry of our suppliers and represents our current actual knowledge based on the information they provided. This information is subject to change. The part numbers that TE has identified as EU RoHS compliant have a maximum concentration of 0.1% by weight in homogenous materials for lead, hexavalent chromium, mercury, PBB, PBDE, DBP, BBP, DEHP, DIBP, and 0.01% for cadmium, or qualify for an exemption to these limits as defined in the Annexes of Directive 2011/65/EU (RoHS2). Finished electrical and electronic equipment products will be CE marked as required by Directive 2011/65/EU. Components may not be CE marked. Additionally, the part numbers that TE has identified as EU ELV compliant have a maximum concentration of 0.1% by weight in homogenous materials for lead, hexavalent chromium, and mercury, and 0.01% for cadmium, or qualify for an exemption to these limits as defined in the Annexes of Directive 2000/53/EC (ELV). Regarding the REACH Regulation, the information TE provides on SVHC in articles for this part number is based on the latest European Chemicals Agency (ECHA) 'Guidance on requirements for substances in articles' posted at this URL: <https://echa.europa.eu/guidance-documents/guidance-on-reach>

Compatible Parts



Customers Also Bought



Documents

Product Drawings

[KIT, HDP-20,RCPT,SIZE 2, 15 PO](#)

English

CAD Files

[3D PDF](#)

3D

Customer View Model

[ENG_CVM_CVM_749806-8_J.2d_dxf.zip](#)

English

Customer View Model

[ENG_CVM_CVM_749806-8_J.3d_igs.zip](#)

English

Customer View Model

[ENG_CVM_CVM_749806-8_J.3d_stp.zip](#)

English

By downloading the CAD file I accept and agree to the [Terms and Conditions](#) of use.

Product Specifications



Application Specification

English

Application Specification

English

Instruction Sheets

Instruction Sheet (U.S.)

English

Agency Approvals

CSA Certificate

English