



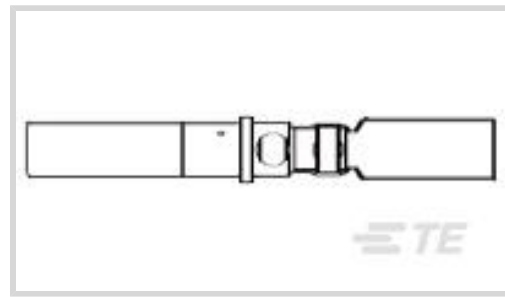
RAYCHEM

TE Internal #: 726187-000

TwinAxial, Socket, Size 8 Contact Size, 20 AWG, .5 mm² Wire, Shielded Contacts

[View on TE.com >](#)

Wire Protection & Management > Interconnect Devices > Shielded Contacts



Compatible With Wire & Cable Type: **TwinAxial**

Contact Type: **Socket**

Contact Size: **Size 8**

Wire Size: **20 AWG**

Features

Industry Standards

Military Standard	MIL-C-38999 I, III, IV
-------------------	------------------------

Usage Conditions

Operating Temperature (Max)	150 °C
-----------------------------	--------

Configuration Features

Compatible With Wire & Cable Type	TwinAxial
-----------------------------------	-----------

Contact Features

Contact Type	Socket
Contact Size	Size 8

Dimensions

Wire Size	20 AWG
-----------	--------

Other

EU RoHS Compliance	Not Compliant
EU ELV Compliance	Not Compliant

Product Compliance

[For compliance documentation, visit the product page on TE.com>](#)

EU RoHS Directive 2011/65/EU	Not Compliant
EU ELV Directive 2000/53/EC	Not Compliant
China RoHS 2 Directive MIIT Order No 32, 2016	Restricted Materials Above Threshold



EU REACH Regulation (EC) No. 1907/2006

Current ECHA Candidate List: JUNE 2024 (241)

Candidate List Declared Against: JUNE 2024 (241)

SVHC > Threshold:

Pb (37% in Solder)

Article Safe Usage Statements:

Do not eat, drink or smoke when using this product. Wash thoroughly after handling. Recycle if possible and dispose of the article by following all applicable governmental regulations relevant to your geographic location.

Halogen Content

Low Halogen - Br, Cl, F, I < 900 ppm per homogenous material. Also BFR/CFR/PVC Free

Solder Process Capability

Not applicable for solder process capability

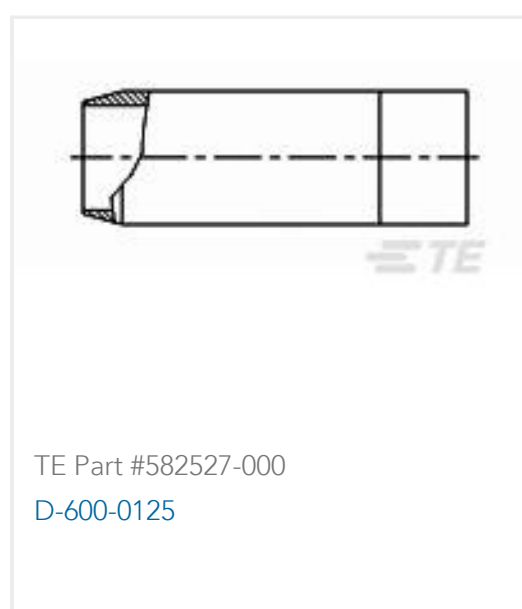
Product Compliance Disclaimer

This information is provided based on reasonable inquiry of our suppliers and represents our current actual knowledge based on the information they provided. This information is subject to change. The part numbers that TE has identified as EU RoHS compliant have a maximum concentration of 0.1% by weight in homogenous materials for lead, hexavalent chromium, mercury, PBB, PBDE, DBP, BBP, DEHP, DIBP, and 0.01% for cadmium, or qualify for an exemption to these limits as defined in the Annexes of Directive 2011/65/EU (RoHS2). Finished electrical and electronic equipment products will be CE marked as required by Directive 2011/65/EU. Components may not be CE marked. Additionally, the part numbers that TE has identified as EU ELV compliant have a maximum concentration of 0.1% by weight in homogenous materials for lead, hexavalent chromium, and mercury, and 0.01% for cadmium, or qualify for an exemption to these limits as defined in the Annexes of Directive 2000/53/EC (ELV). Regarding the REACH Regulation, the information TE provides on SVHC in articles for this part number is based on the latest European Chemicals Agency (ECHA) 'Guidance on requirements for substances in articles' posted at this URL: <https://echa.europa.eu/guidance-documents/guidance-on-reach>

Compatible Parts



Customers Also Bought



Documents



Product Drawings

[DK-602-0170-1](#)

English

Datasheets & Catalog Pages

[Data Bus Components Brochure](#)

English

Product Specifications

[Installation Procedure for DK-602-0169 and ?0170 Triaxial Contacts](#)

English