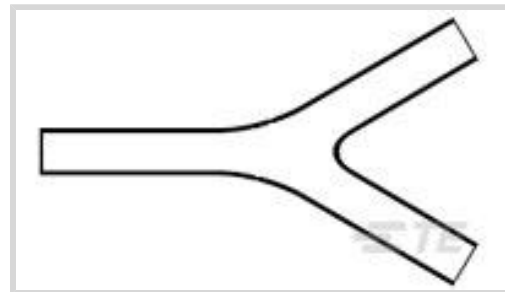




Wire Protection & Management > Heat Shrink Shapes > Cable Transitions & Breakouts



Molded Part Shape: **Y Shape**

Number of Branches & Legs: **3**

Material Code: **71**

Material Systems Code: **10**

Adhesive Requirement: **Adhesive Precoat**

Features

Operation/Application

Mechanical Resistance	Flexing
-----------------------	---------

Dimensions

Inside Diameter Range (Leg 2)	11.4 – 22.9 mm [.45 – .9 in]
Inside Diameter Range (Leg 1)	11.4 – 22.9 mm [.45 – .9 in]
Inside Diameter Range (Body)	11.4 – 34.3 mm [.45 – 1.35 in]

Other

Molded Part Shape Code	381A
Size Code	302
Adhesive Code	42
EU RoHS Compliance	Compliant
EU ELV Compliance	Compliant

Usage Conditions

Flammability Performance	Flame-Retardant
Operating Temperature Range	-55 – 135 °C [-67 – 275 °F]
Resistance Protection	Long-Term Fluid Exposure at High Temperatures

Body Features

Primary Product Material	Semi-Rigid Modified Polyolefin
--------------------------	--------------------------------



Material Code	71
---------------	----

Material Systems Code	10
-----------------------	----

Product Type Features

Molded Part Shape	Y Shape
-------------------	---------

Configuration Features

Number of Branches & Legs	3
---------------------------	---

Adhesive Requirement	Adhesive Precoat
----------------------	------------------

Product Compliance

[For compliance documentation, visit the product page on TE.com>](#)

EU RoHS Directive 2011/65/EU	Compliant
------------------------------	-----------

EU ELV Directive 2000/53/EC	Compliant
-----------------------------	-----------

China RoHS 2 Directive MIIT Order No 32, 2016	No Restricted Materials Above Threshold
---	---

EU REACH Regulation (EC) No. 1907/2006	Current ECHA Candidate List: JUNE 2024 (241) Candidate List Declared Against: JUNE 2024 (241) Does not contain REACH SVHC
--	---

Halogen Content	Not Low Halogen - contains Br or Cl > 900 ppm.
-----------------	--

Solder Process Capability	Not applicable for solder process capability
---------------------------	--

Product Compliance Disclaimer

This information is provided based on reasonable inquiry of our suppliers and represents our current actual knowledge based on the information they provided. This information is subject to change. The part numbers that TE has identified as EU RoHS compliant have a maximum concentration of 0.1% by weight in homogenous materials for lead, hexavalent chromium, mercury, PBB, PBDE, DBP, BBP, DEHP, DIBP, and 0.01% for cadmium, or qualify for an exemption to these limits as defined in the Annexes of Directive 2011/65/EU (RoHS2). Finished electrical and electronic equipment products will be CE marked as required by Directive 2011/65/EU. Components may not be CE marked. Additionally, the part numbers that TE has identified as EU ELV compliant have a maximum concentration of 0.1% by weight in homogenous materials for lead, hexavalent chromium, and mercury, and 0.01% for cadmium, or qualify for an exemption to these limits as defined in the Annexes of Directive 2000/53/EC (ELV). Regarding the REACH Regulation, the information TE provides on SVHC in articles for this part number is based on the latest European Chemicals Agency (ECHA) 'Guidance on requirements for substances in articles' posted at this URL: <https://echa.europa.eu/guidance-documents/guidance-on-reach>

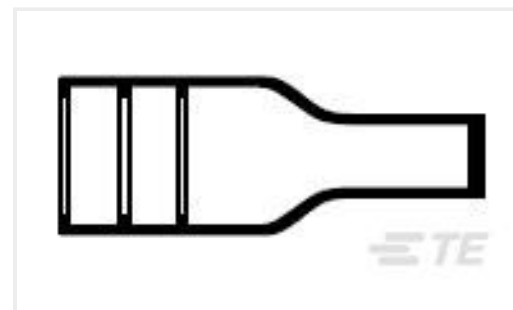
Customers Also Bought



TE Part #E74832-000
B-155-9003



TE Part #814727-000
222A132-4/42-0



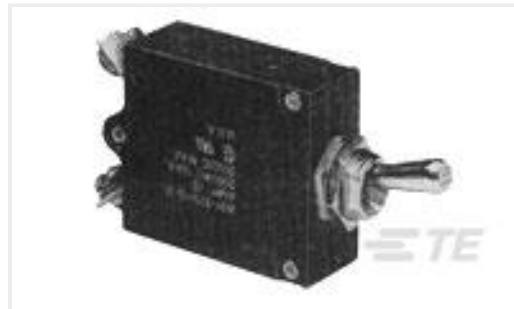
TE Part #808381-000
202D132-4/42-0



TE Part #NB17394001
RP-4800-NO.3-0-SP



TE Part #CAT-HST-RNF100-BK
RNF-100-BK Heat Shrink Tubing



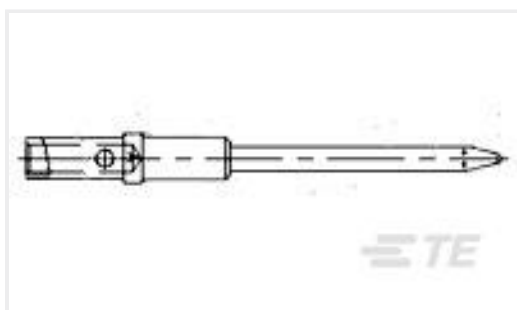
TE Part #3-1393247-3
W31-X2M1G-15=W23/W31



TE Part #52856-1
TERMINAL,PG SPD FLG 12-10 10



TE Part #2-32835-2
TERMINAL,PIDG R 22-16 8



TE Part #208268-3
PIN CONT,SZ 16,NIC 600

Documents

Product Drawings

[381A302-71/42-0](#)

English

Datasheets & Catalog Pages

[1654025_Sec4_-71](#)

English

Raychem Molded Parts Visual Guide

English

Product Specifications

[Product Specification](#)

English