

7-690471-7 ✓ ACTIVE

TE Internal #: 7-690471-7

TE Internal Description: COMB ANVIL

[View on TE.com >](#)



Product Compliance

[For compliance documentation, visit the product page on TE.com>](#)

EU RoHS Directive 2011/65/EU	Compliant
EU ELV Directive 2000/53/EC	Compliant
China RoHS 2 Directive MIIT Order No 32, 2016	有害物质含量符合标准要求 No Restricted Substance(s) Above Threshold
EU REACH Regulation (EC) No. 1907/2006	Current ECHA Candidate List: JUNE 2025 (250) Candidate List Declared Against: JUNE 2025 (250) Does not contain REACH SVHC
Halogen Content	Low Halogen - Br, Cl, F < 900 ppm per homogenous material. Also BFR/CFR/PVC Free
Solder Process Capability	Not applicable for solder process capability

Product Compliance Disclaimer

This information is provided based on reasonable inquiry of our suppliers and represents our current actual knowledge based on the information they provided. This information is subject to change. The part numbers that TE has identified as EU RoHS compliant have a maximum concentration of 0.1% by weight in homogenous materials for lead, hexavalent chromium, mercury, PBB, PBDE, DBP, BBP, DEHP, DIBP, and 0.01% for cadmium, or qualify for an exemption to these limits as defined in the Annexes of Directive 2011/65/EU (RoHS2). Finished electrical and electronic equipment products will be CE marked as required by Directive 2011/65/EU. Components may not be CE marked. Additionally, the part numbers that TE has identified as EU ELV compliant have a maximum concentration of 0.1% by weight in homogenous materials for lead, hexavalent chromium, and mercury, and 0.01% for cadmium, or qualify for an exemption to these limits as defined in the Annexes of Directive 2000/53/EC (ELV). Regarding the REACH Regulation, the information TE provides on SVHC in articles for this part number is based on the latest European Chemicals Agency (ECHA) 'Guidance on requirements for substances in articles' posted at this URL: <https://echa.europa.eu/guidance-documents/guidance-on-reach>

Customers Also Bought



TE Part #52189
TERMINAL,PIDG R 26-24 4



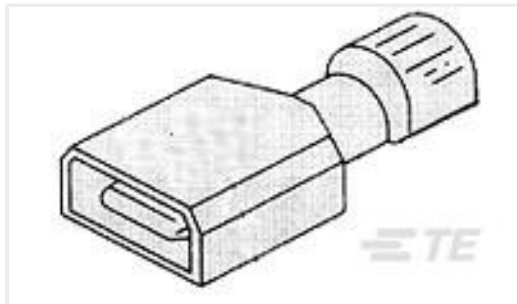
TE Part #63698-1
RING,M4, DIA 4.39,16-12,TPBR



TE Part #204370-2
PIN CONTACT,Sz22D,22-28 AWG



TE Part #350570-1
UMNL SOK 24-18 PTPBR



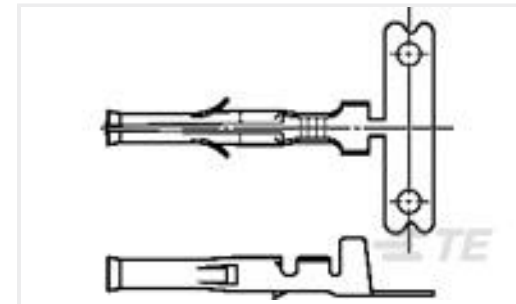
TE Part #2-521103-2
ULTRA-FAST 187 ASY REC 22-18 TPBR



TE Part #640250-5
05P SL156 HSG W/LCK RAMP NATL



TE Part #3-641238-4
04P MTA100 CONN ASSY NATL 30AU



TE Part #794046-1
.062 COMM P&S SOK 24-30 PTPBR



TE Part #1757823-2
AMPLIMITE,ASY,PLUG,STD,90,ZN,2



TE Part #5748676-2
DIE CAST CBL CLMP KIT,SZ 2

Documents

Instruction Sheets

[Instruction Sheet \(U.S.\)](#)

English