

7-353908-3 ✓ ACTIVE

## AMP Mini CT

TE Internal #: 7-353908-3

Housing, Receptacle, Wire-to-Board / Wire-to-Panel / Wire-to-Wire,  
13 Position, 1.5 mm [.059 in] Centerline, Crimp, 1 Row, Blue, AMP  
Mini CT

[View on TE.com >](#)



[Connectors >](#) [PCB Connectors >](#) [Wire-to-Board Connectors >](#) [Wire-to-Board Connector Assemblies & Housings >](#)

[Mini Common Termination \(CT\) Housings](#)



Connector Product Type: **Housing**

Connector & Housing Type: **Receptacle**

Connector System: **Wire-to-Board, Wire-to-Panel, Wire-to-Wire**

Number of Positions: **13**

Centerline (Pitch): **1.5 mm [.059 in]**

[All Mini Common Termination \(CT\) Housings \(38\)](#)

## Features

### Electrical Characteristics

Operating Voltage	50 VDC
Insulation Resistance	500 MΩ

### Industry Standards

Compatible With Agency/Standards Products	UL, CSA
UL Flammability Rating	UL 94V-0
Glow Wire Rating	Standard Part - Not Glow Wire

### Dimensions

Connector Width	3.6 mm[.141 in]
Compatible Insulation Diameter Range	.85 – 1.05 mm[.033 – .041 in]
Connector Height	6 mm[.236 in]
Wire Size	30 – 24 AWG
Connector Length	21 mm[.827 in]

### Contact Features

Contact Layout	Inline
Contact Type	Socket
Contact Current Rating (Max)	3 A



### Mechanical Attachment

Strain Relief	Without
Panel Mount Feature	Without
Mating Retention Type	Detent
PCB Mount Retention	Without
Mating Retention	With
Connector Mounting Type	Cable Mount (Free-Hanging)

### Housing Features

Housing Material	Nylon 66
Housing Entry Configuration	Both Ends Closed
Centerline (Pitch)	1.5 mm [.059 in]

### Product Type Features

Connector Product Type	Housing
Connector & Housing Type	Receptacle
Connector System	Wire-to-Board, Wire-to-Panel, Wire-to-Wire
Sealable	No
Connector & Contact Terminates To	Wire & Cable

### Configuration Features

Number of Positions	13
Number of Rows	1

### Body Features

Primary Product Color	Blue
-----------------------	------

### Termination Features

Termination Method to Wire & Cable	Crimp
------------------------------------	-------

### Usage Conditions

Operating Temperature Range	-30 – 105 °C [-22 – 221 °F]
-----------------------------	-----------------------------

### Operation/Application

Circuit Application	Power & Signal
---------------------	----------------

### Other

EU RoHS Compliance	Compliant
EU ELV Compliance	Compliant

## Product Compliance

[For compliance documentation, visit the product page on TE.com>](#)

EU RoHS Directive 2011/65/EU	Compliant
EU ELV Directive 2000/53/EC	Compliant
China RoHS 2 Directive MIIT Order No 32, 2016	No Restricted Materials Above Threshold
EU REACH Regulation (EC) No. 1907/2006	Current ECHA Candidate List: JUNE 2024 (241) Candidate List Declared Against: JUNE 2024 (241) Does not contain REACH SVHC
Halogen Content	Low Halogen - Br, Cl, F, I < 900 ppm per homogenous material. Also BFR/CFR/PVC Free
Solder Process Capability	Not applicable for solder process capability

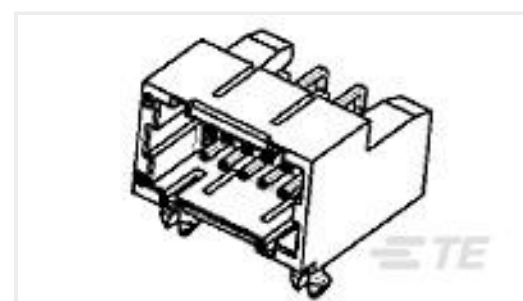
### Product Compliance Disclaimer

This information is provided based on reasonable inquiry of our suppliers and represents our current actual knowledge based on the information they provided. This information is subject to change. The part numbers that TE has identified as EU RoHS compliant have a maximum concentration of 0.1% by weight in homogenous materials for lead, hexavalent chromium, mercury, PBB, PBDE, DBP, BBP, DEHP, DIBP, and 0.01% for cadmium, or qualify for an exemption to these limits as defined in the Annexes of Directive 2011/65/EU (RoHS2). Finished electrical and electronic equipment products will be CE marked as required by Directive 2011/65/EU. Components may not be CE marked. Additionally, the part numbers that TE has identified as EU ELV compliant have a maximum concentration of 0.1% by weight in homogenous materials for lead, hexavalent chromium, and mercury, and 0.01% for cadmium, or qualify for an exemption to these limits as defined in the Annexes of Directive 2000/53/EC (ELV). Regarding the REACH Regulation, the information TE provides on SVHC in articles for this part number is based on the latest European Chemicals Agency (ECHA) 'Guidance on requirements for substances in articles' posted at this URL: <https://echa.europa.eu/guidance-documents/guidance-on-reach>

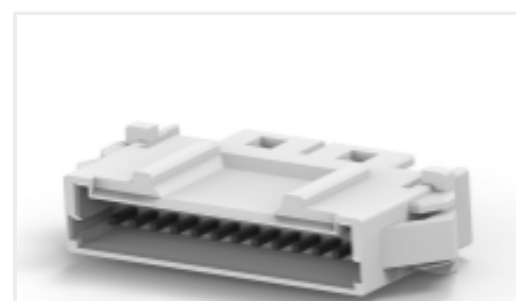
## Compatible Parts



TE Part # 1-292231-3  
1.5 MINI CT SGL V SMT W/O BOSS



TE Part # 7-292262-6  
DBL ROW (H) DIP TYPE WITH BOAR



TE Part # 1-292215-3  
MINI CT SGL RELAY 13P NAT



TE Part # 1-292207-3  
MINI CT SGL DIP V 13P NAT



TE Part # 1-292228-3  
1.5 MINI CT SGL H SMT W/O BOSS



TE Part # 1-292227-3  
1.5 MINI CT SGL H SMT W BOSS 1



TE Part # 1-292230-3  
1.5 MINI CT SGL V SMT W/BOSS 1

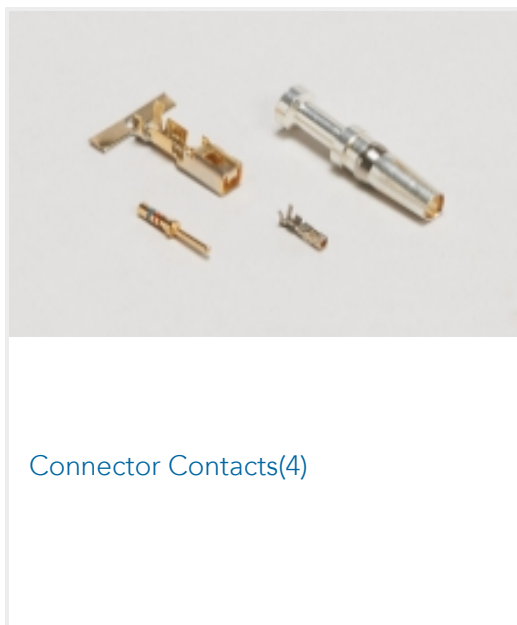


TE Part # 1-292206-3  
MINI CT SGL DIP H 13P NAT

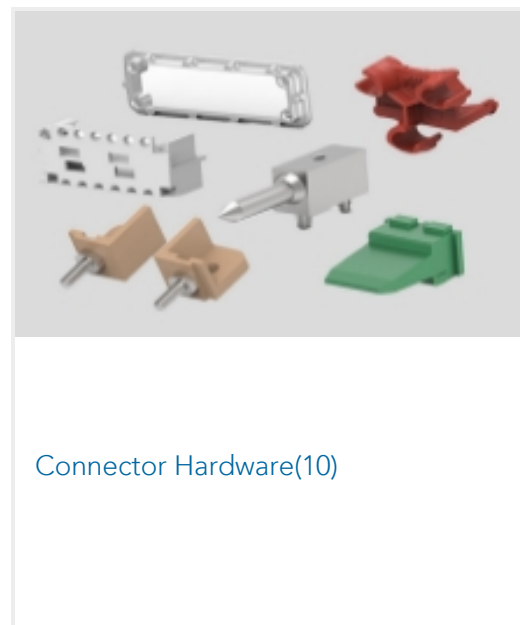


TE Part # CAT-AM7053-C7671  
Mini Common Termination Contacts

### Also in the Series | AMP Mini CT



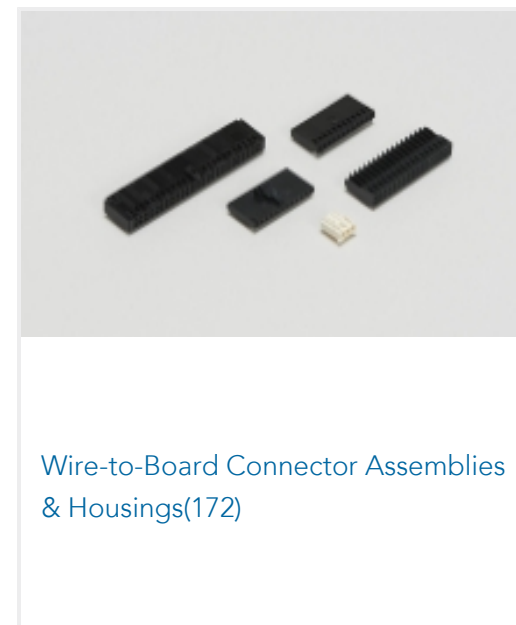
Connector Contacts(4)



Connector Hardware(10)



PCB Headers & Receptacles(332)

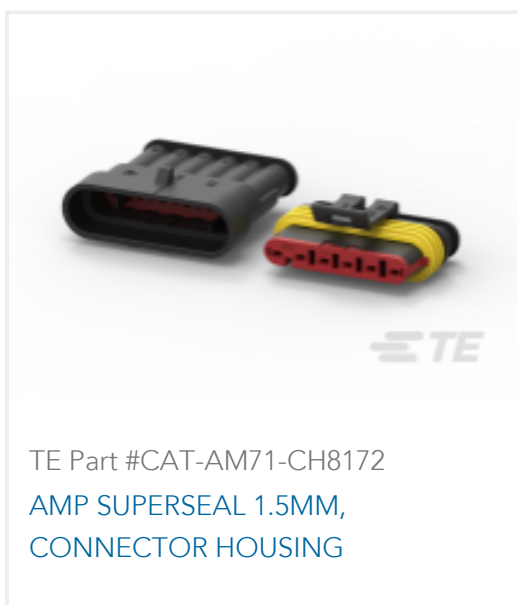


Wire-to-Board Connector Assemblies & Housings(172)



Wire-to-Board Headers & Receptacles (332)

### Customers Also Bought



TE Part #CAT-AM71-CH8172  
AMP SUPERSEAL 1.5MM,  
CONNECTOR HOUSING



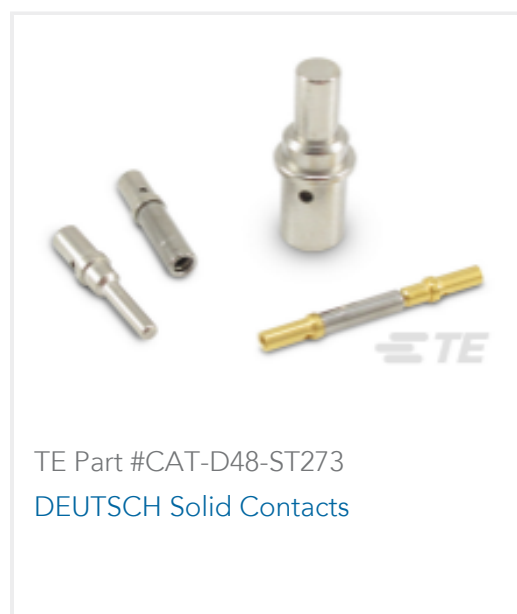
TE Part #DT04-2P  
REC, 2P, GRY, N



TE Part #DT06-2S  
PLG, 2P, GRY, N



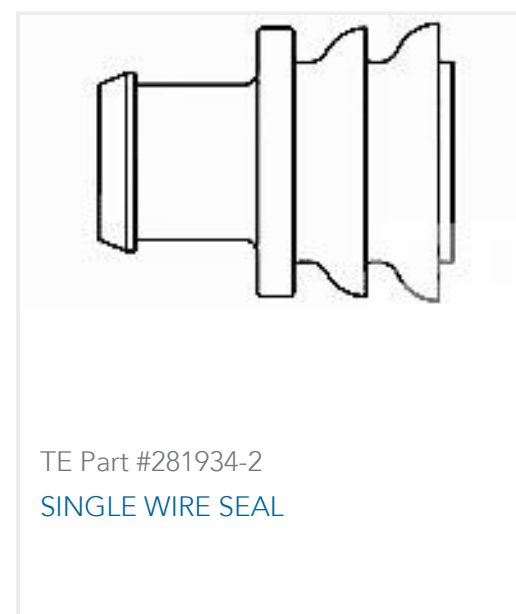
TE Part #CAT-D487-W416  
Wedgelocks: DEUTSCH DT



TE Part #CAT-D48-ST273  
DEUTSCH Solid Contacts



TE Part #114017-ZZ  
SEALING PLUG, SIZE 12/16, WHT



TE Part #281934-2  
SINGLE WIRE SEAL

## Documents

### Product Drawings

#### CT REC HSG 13P CRIMP TYPE BLU

English

### CAD Files

#### Customer View Model

[ENG\\_CVM\\_CVM\\_7-353908-3\\_P.2d\\_dxf.zip](#)

English

#### 3D PDF

3D

#### Customer View Model

[ENG\\_CVM\\_CVM\\_7-353908-3\\_P.3d\\_igs.zip](#)

English

#### Customer View Model

[ENG\\_CVM\\_CVM\\_7-353908-3\\_P.3d\\_stp.zip](#)

English

By downloading the CAD file I accept and agree to the [Terms and Conditions](#) of use.

### Product Specifications

#### Application Specification

English

### Instruction Sheets

#### Instruction Sheet for Mini CT DC Drawer Connector SF Type

Japanese

#### Instruction Sheet (non U.S.)

English

#### 1.5mm Pitch Mini CT DC Drawer Connector SF Type

Japanese

#### Instruction Sheet (non U.S.)

Japanese

#### 1.5mm Pitch Mini CT Hybrid Drawer Connector SF Type

Japanese

#### Instruction Sheet (non U.S.)

Japanese



**1.5mm Pitch Mini CT Hybrid Drawer Connector Slim Type**

Japanese

**Instruction Sheet (non U.S.)**

Japanese