



Application Tooling > Spare & Wear Tooling



Applicator & Product Style: OCEAN

### Features

#### Other

Applicator & Product Style	OCEAN
----------------------------	-------

### Product Compliance

[For compliance documentation, visit the product page on TE.com>](#)

EU RoHS Directive 2011/65/EU	Out of Scope
EU ELV Directive 2000/53/EC	Out of Scope
China RoHS 2 Directive MIIT Order No 32, 2016	No Restricted Materials Above Threshold
EU REACH Regulation (EC) No. 1907/2006	Current ECHA Candidate List: JUNE 2024 (241) Candidate List Declared Against: JUNE 2024 (241) Does not contain REACH SVHC
Halogen Content	Low Halogen - Br, Cl, F, I < 900 ppm per homogenous material. Also BFR/CFR/PVC Free
Solder Process Capability	Not applicable for solder process capability

#### Product Compliance Disclaimer

This information is provided based on reasonable inquiry of our suppliers and represents our current actual knowledge based on the information they provided. This information is subject to change. The part numbers that TE has identified as EU RoHS compliant have a maximum concentration of 0.1% by weight in homogenous materials for lead, hexavalent chromium, mercury, PBB, PBDE, DBP, BBP, DEHP, DIBP, and 0.01% for cadmium, or qualify for an exemption to these limits as defined in the Annexes of Directive 2011/65/EU (RoHS2). Finished electrical and electronic equipment products will be CE marked as required by Directive 2011/65/EU. Components may not be CE marked. Additionally, the part numbers that TE has identified as EU ELV compliant have a maximum concentration of 0.1% by weight in homogenous materials for lead, hexavalent chromium, and mercury, and 0.01% for cadmium, or qualify for an exemption to these limits as defined in the Annexes of Directive 2000/53/EC (ELV). Regarding the REACH Regulation, the information TE provides on SVHC in articles for this part number is based on the latest European Chemicals Agency (ECHA) 'Guidance on requirements for substances in articles' posted at this URL: <https://echa.europa.eu/guidance-documents/guidance-on-reach>

## Compatible Parts



**CRIMPER** REPRESENTATION ONLY

TE Part # 1633964-3  
CRIMPER, INSULATION OVERLAP PREM



**ANVIL** REPRESENTATION ONLY

TE Part # 1-1333209-0  
ANVIL, COMB .130



**CRIMPER** REPRESENTATION ONLY

TE Part # 1-1633860-5  
CRIMPER, WIRE F



TE Part # 2151214-2  
OCEAN\_2.0\_APPLICATOR-S-130F180OV-RSA



TE Part # 928958-7  
PL 250 REC TERMINAL 13-11 AWG PTPPB

## Customers Also Bought



TE Part #DT04-2P  
REC, 2P, GRY, N



TE Part #DT06-2S  
PLG, 2P, GRY, N



TE Part #CAT-D487-W416  
WedgeLocks: DEUTSCH DT



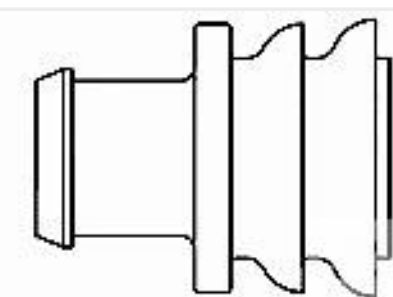
TE Part #CAT-D48-ST273  
DEUTSCH Solid Contacts



TE Part #114017-ZZ  
SEALING PLUG, SIZE 12/16, WHT



TE Part #CAT-AM71-CH8172  
AMP SUPERSEAL 1.5MM, CONNECTOR HOUSING



TE Part #281934-2  
SINGLE WIRE SEAL

## Documents

### Product Drawings

[OCEAN\\_2.0\\_SPARE\\_PART\\_KIT-130F180OV](#)

English

### Instruction Sheets

[Instruction Sheet \(U.S.\)](#)

English

