

7-1747072-4 ✓ ACTIVE

GRACE INERTIA | GRACE INERTIA 2.5

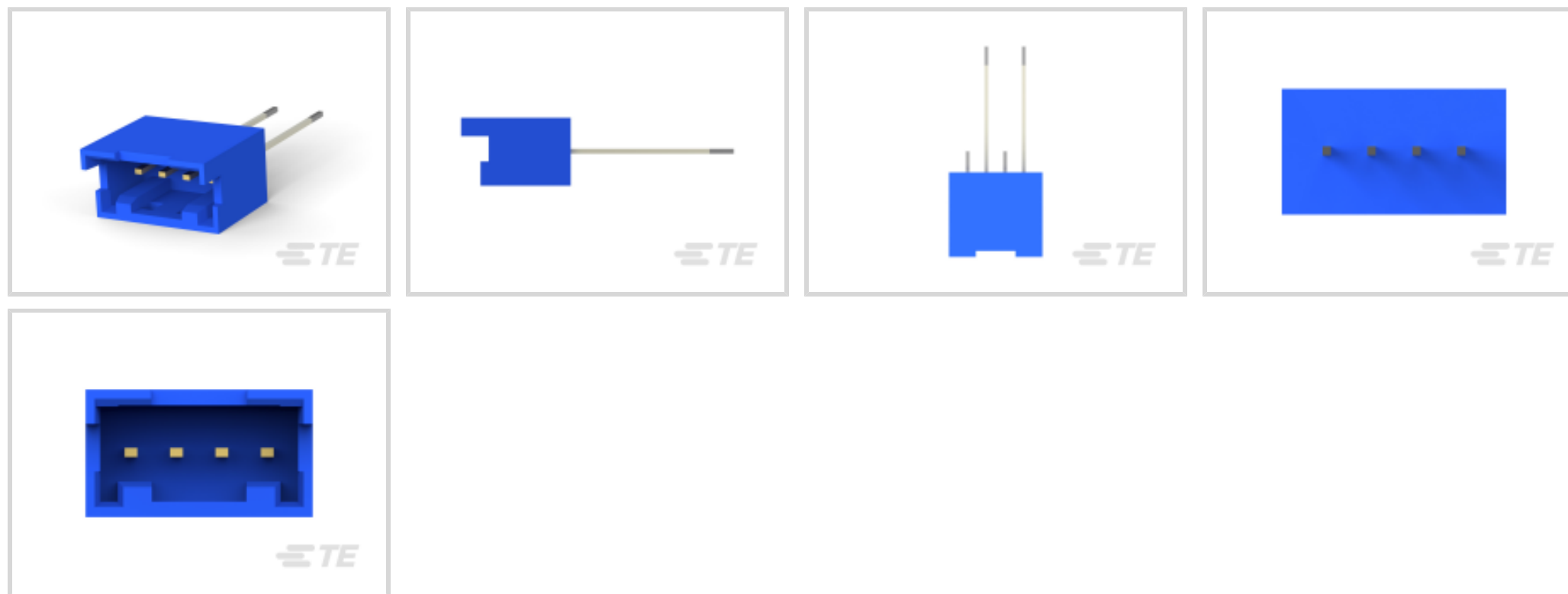
TE Internal #: 7-1747072-4

PCB Mount Header, Vertical, Wire-to-Board, 4 Position, 2.5 mm [.098 in] Centerline, Fully Shrouded, Gold (Au), GRACE INERTIA 2.5

[View on TE.com >](#)



Connectors > PCB Connectors > PCB Headers & Receptacles



PCB Connector Type: **PCB Mount Header**

PCB Mount Orientation: **Vertical**

Connector System: **Wire-to-Board**

Number of Positions: **4**

Centerline (Pitch): **2.5 mm [ .098 in ]**

## Features

### Product Type Features

PCB Connector Type	PCB Mount Header
Connector System	Wire-to-Board
Header Type	Fully Shrouded
Sealable	No
Connector & Contact Terminates To	Printed Circuit Board
Connector Product Type	Connector Assembly

### Configuration Features

PCB Mount Orientation	Vertical
Number of Positions	4
Number of Rows	1

### Electrical Characteristics

Operating Voltage	50 VDC
-------------------	--------

### Body Features

Primary Product Color	Blue
-----------------------	------



### Contact Features

Contact Underplating Material	Nickel
Contact Underplating Material Thickness	1.27 $\mu\text{m}$ [50 $\mu\text{in}$ ]
PCB Contact Termination Area Plating Material Finish	Matte
Mating Tab Width	.7 mm[.028 in]
PCB Contact Termination Area Plating Material Thickness	2 $\mu\text{m}$ [78.74 $\mu\text{in}$ ]
Contact Layout	Inline
Contact Base Material	Brass
Mating Tab Thickness	.5 mm[.02 in]
PCB Contact Termination Area Plating Material	Tin
Contact Mating Area Plating Material	Gold (Au)
Contact Mating Area Plating Material Thickness	.3 $\mu\text{m}$ [11.81 $\mu\text{in}$ ]
Contact Type	Tab
Contact Current Rating (Max)	3 A

### Termination Features

Termination Post & Tail Length	2.8 mm, 16.8 mm[.11 in][.661 in]
Square Termination Post & Tail Dimension	.5 mm[.02 in]
Termination Method to PCB	Through Hole - Solder

### Mechanical Attachment

Panel Mount Feature	Without
Mating Retention Type	Latch
Mating Alignment Type	Polarization
PCB Mount Alignment	Without
Mating Retention	With
PCB Mount Retention	Without
Connector Mounting Type	Board Mount
Mating Alignment	With

### Housing Features

Centerline (Pitch)	2.5 mm[.098 in]
Housing Material	Nylon

### Dimensions

Connector Width	7 mm[.27 in]
-----------------	--------------



PCB Thickness (Recommended)	1.6 mm[.063 in]
Connector Height	11.3 mm[.444 in]
Connector Length	12.5 mm[.492 in]

### Usage Conditions

Operating Temperature Range	-30 – 105 °C[-22 – 221 °F]
-----------------------------	----------------------------

### Operation/Application

Circuit Application	Signal
---------------------	--------

### Industry Standards

Glow Wire Rating	Standard Part - Not Glow Wire
UL Flammability Rating	UL 94V-0

### Packaging Features

Packaging Quantity	450
Packaging Method	Tape

### Product Compliance

[For compliance documentation, visit the product page on TE.com>](#)

EU RoHS Directive 2011/65/EU	Compliant
EU ELV Directive 2000/53/EC	Compliant
China RoHS 2 Directive MIIT Order No 32, 2016	有害物质含量符合标准要求 No Restricted Substance(s) Above Threshold
EU REACH Regulation (EC) No. 1907/2006	Current ECHA Candidate List: JUNE 2025 (250) Candidate List Declared Against: JUNE 2025 (250) Does not contain REACH SVHC
Halogen Content	Not Low Halogen - contains Br or Cl > 900 ppm.
Solder Process Capability	Wave solder capable to 265°C

#### Product Compliance Disclaimer

This information is provided based on reasonable inquiry of our suppliers and represents our current actual knowledge based on the information they provided. This information is subject to change. The part numbers that TE has identified as EU RoHS compliant have a maximum concentration of 0.1% by weight in homogenous materials for lead, hexavalent chromium, mercury, PBB, PBDE, DBP, BBP, DEHP, DIBP, and 0.01% for cadmium, or qualify for an exemption to these limits as defined in the Annexes of Directive 2011/65/EU (RoHS2). Finished electrical and electronic equipment products will be CE marked as required by Directive 2011/65/EU. Components may not be CE marked. Additionally, the part numbers that TE has identified as EU ELV compliant have a maximum concentration of 0.1% by weight in homogenous materials for lead, hexavalent chromium, and mercury, and 0.01% for cadmium, or qualify for an exemption to these limits as defined in the Annexes of Directive 2000/53/EC (ELV). Regarding the REACH Regulation, the information TE provides on SVHC in articles for this part number is based on the latest European Chemicals Agency (ECHA) 'Guidance on

requirements for substances in articles' posted at this URL: <https://echa.europa.eu/guidance-documents/guidance-on-reach>

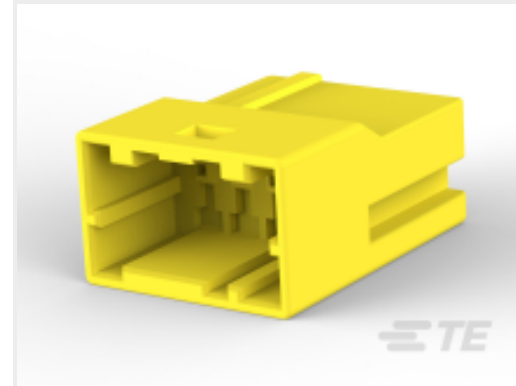
## Compatible Parts



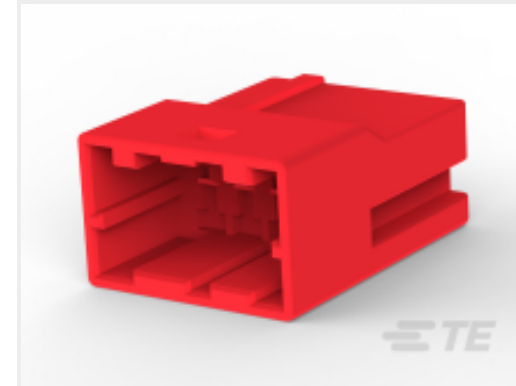
TE Part # 1747066-4  
GRACE INERTIA CONN 2.5 PLUG  
HSG 4P NATUR



TE Part # 1903393-1  
GIC 2.5 W CAP HSG 4P NATURAL



TE Part # 3-1903393-4  
GIC 2.5 W CAP HSG 4P YELLOW



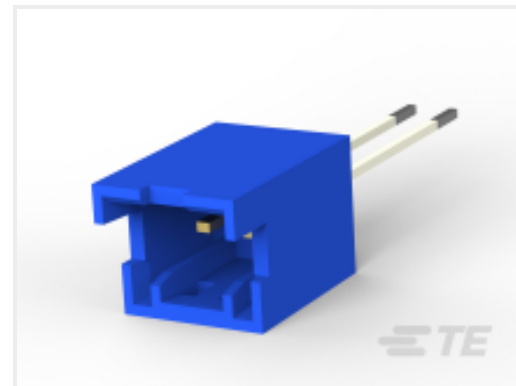
TE Part # 1-1903393-2  
GIC 2.5 W CAP HSG 4P RED



TE Part # 5-1747072-3  
GRACE INERTIA CONN 2.5 ON TAPE  
HDR 3P NA



TE Part # 6-1747072-4  
GRACE INERTIA CONN 2.5 ON TAPE  
HDR 4P RE



TE Part # 7-1747072-2  
GRACE INERTIA CONN 2.5 ON TAPE  
HDR 2P BL

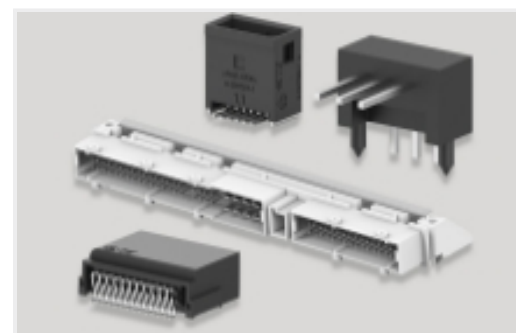
## Also in the Series | GRACE INERTIA 2.5



Connector Contacts(6)



Connector Hardware(7)



PCB Headers & Receptacles(173)



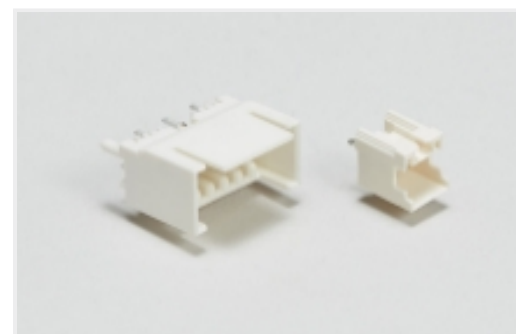
Power Contacts(2)



Rectangular Power Connectors(44)



Wire-to-Board Connector Assemblies  
& Housings(36)

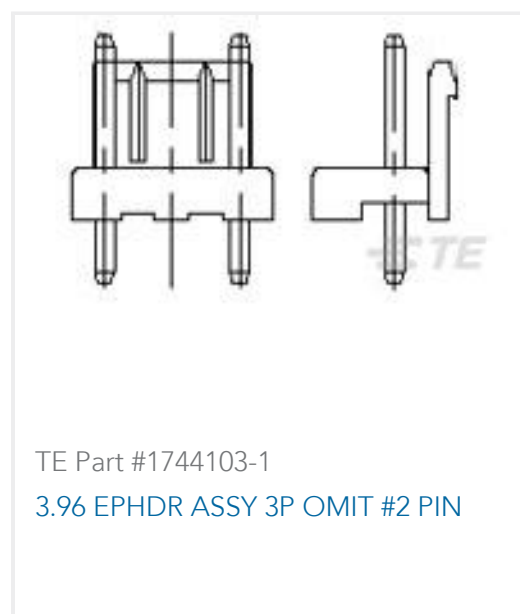


Wire-to-Board Headers & Receptacles  
(173)

## Customers Also Bought



TE Part #917780-1  
2.5 S.D.L POST HDR ASY 2P STD



TE Part #1744103-1  
3.96 EPHDR ASSY 3P OMIT #2 PIN



TE Part #1747067-8  
GRACE INERTIA CONN 2.5 HDR ASSY  
8P NATUR



TE Part #5-1747072-2  
GRACE INERTIA CONN 2.5 ON TAPE  
HDR 2P NA



TE Part #5-1747072-3  
GRACE INERTIA CONN 2.5 ON TAPE  
HDR 3P NA



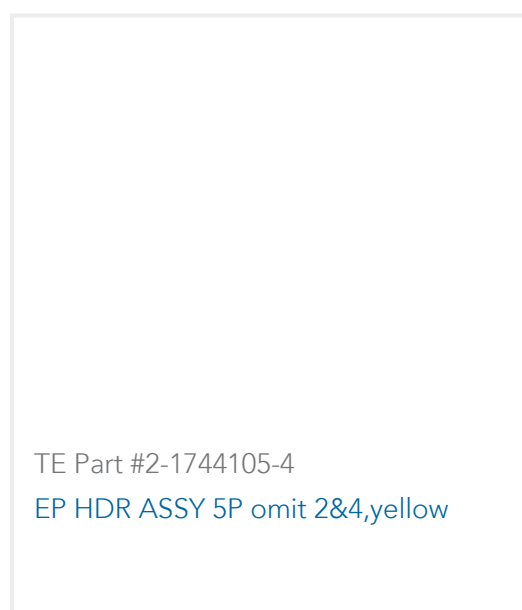
TE Part #6-1747072-4  
GRACE INERTIA CONN 2.5 ON TAPE  
HDR 4P RE



TE Part #1747508-1  
GRACE INERTIA CONN 2.5 HDR ASSY  
2/3P NAT



TE Part #2360540-8  
SGI 1.25 HDR, 8P, VT, Key A, Natural



TE Part #2-1744105-4  
EP HDR ASSY 5P omit 2&4,yellow



TE Part #6-1747072-3  
GRACE INERTIA CONN 2.5 ON TAPE  
HDR 3P RE

## Documents

### Product Drawings

[GRACE INERTIA CONN 2.5 ON TAPE HDR 4P BL](#)

Japanese

### CAD Files

Customer View Model

[ENG\\_CVM\\_CVM\\_7-1747072-4\\_G.2d\\_dxf.zip](#)

English

3D PDF

3D

Customer View Model

[ENG\\_CVM\\_CVM\\_7-1747072-4\\_G.3d\\_igs.zip](#)

English

Customer View Model

[ENG\\_CVM\\_CVM\\_7-1747072-4\\_G.3d\\_stp.zip](#)

English

By downloading the CAD file I accept and agree to the [Terms and Conditions](#) of use.

### Product Specifications



## Application Specification

Japanese