

# FCA-125-CX4 ✓ ACTIVE

CII | CII FCA-125 Series

TE Internal #: 7-1617748-5

General Purpose Power Relay, DC, Polarized, Monostable, 1 Form C SPDT-CO, 25 A Contact Rating, 28 VDC Coil Voltage, Panel Mount, CII FCA-125 Series

[View on TE.com >](#)



Relays & Contactors > Electromechanical Relays



Relay & Contactor Type: **General Purpose Power Relay**

Current Type: **DC**

Coil Magnetic System: **Polarized, Monostable**

Contact Arrangement: **1 Form C SPDT-CO**

Contact Current Rating: **25 A**

## Features

### Contact Features

Contact Material	Silver Cadmium Oxide
Terminal Plating	Tin-Lead

### Usage Conditions

Operating Temperature Range	-70 – 125 °C[-94 – 257 °F]
Environmental Ambient Temperature (Max)	125 °C[257 °F]

### Mechanical Attachment

Product Mounting Feature Type	Mounting Brackets
Product Mount Type	Panel Mount

### Electrical Characteristics

Coil Resistance	320 $\Omega$
Contact Current Rating	25 A
Coil Voltage Rating	28 VDC

### Configuration Features

Coil Special Features	Coil Suppression Diode
Relay Options	Back EMF Suppression
Contact Arrangement	1 Form C SPDT-CO

### Operation/Application



Vibration Resistance	30G's, 33 – 3000Hz
Shock Resistance	200G's, 6ms
Current Type	DC
Coil Magnetic System	Polarized, Monostable

**Product Type Features**

Relay & Contactor Type	General Purpose Power Relay
------------------------	-----------------------------

**Body Features**

Enclosure Type	Hermetically Sealed
----------------	---------------------

**Termination Features**

Main Termination & Connection Type	Solder Hook Terminals
Coil Termination & Connection Type	Solder Hook Terminals

**Other**

EU RoHS Compliance	Compliant
EU ELV Compliance	Not Compliant

**Product Compliance**

[For compliance documentation, visit the product page on TE.com>](#)

EU RoHS Directive 2011/65/EU	Compliant
EU ELV Directive 2000/53/EC	Not Compliant
China RoHS 2 Directive MIIT Order No 32, 2016	No Restricted Materials Above Threshold
EU REACH Regulation (EC) No. 1907/2006	Current ECHA Candidate List: JUNE 2024 (241) Candidate List Declared Against: JUNE 2022 (224) Does not contain REACH SVHC
Halogen Content	Low Halogen - Br, Cl, F, I < 900 ppm per homogenous material. Also BFR/CFR/PVC Free
Solder Process Capability	Not lead free process capable

**Product Compliance Disclaimer**

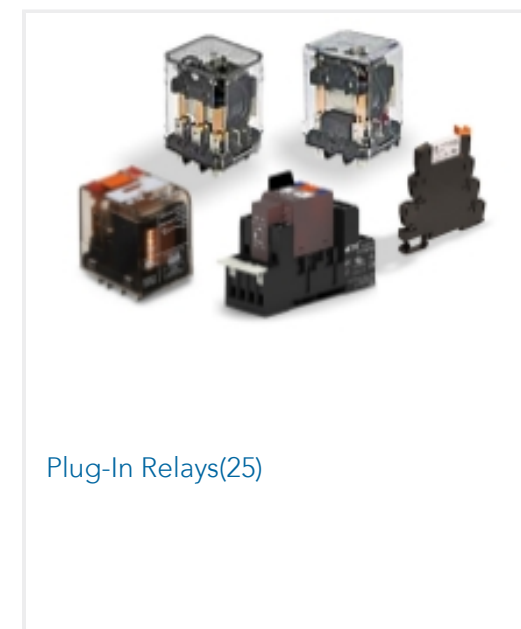
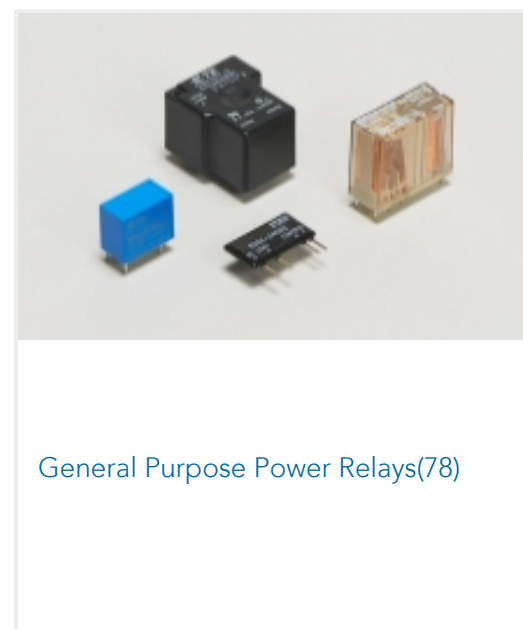
This information is provided based on reasonable inquiry of our suppliers and represents our current actual knowledge based on the information they provided. This information is subject to change. The part numbers that TE has identified as EU RoHS compliant have a maximum concentration of 0.1% by weight in homogenous materials for lead, hexavalent chromium, mercury, PBB, PBDE, DBP, BBP, DEHP, DIBP, and 0.01% for cadmium, or qualify for an exemption to these limits as defined in the Annexes of Directive 2011/65/EU (RoHS2). Finished electrical and electronic equipment products will be CE marked as required by Directive 2011/65/EU. Components may not be CE marked. Additionally, the part numbers that TE has identified as EU ELV compliant have a maximum concentration of 0.1% by weight in homogenous materials for lead, hexavalent chromium, and mercury, and 0.01% for cadmium, or qualify for an exemption to these limits

as defined in the Annexes of Directive 2000/53/EC (ELV). Regarding the REACH Regulation, the information TE provides on SVHC in articles for this part number is based on the latest European Chemicals Agency (ECHA) 'Guidance on requirements for substances in articles' posted at this URL: <https://echa.europa.eu/guidance-documents/guidance-on-reach>

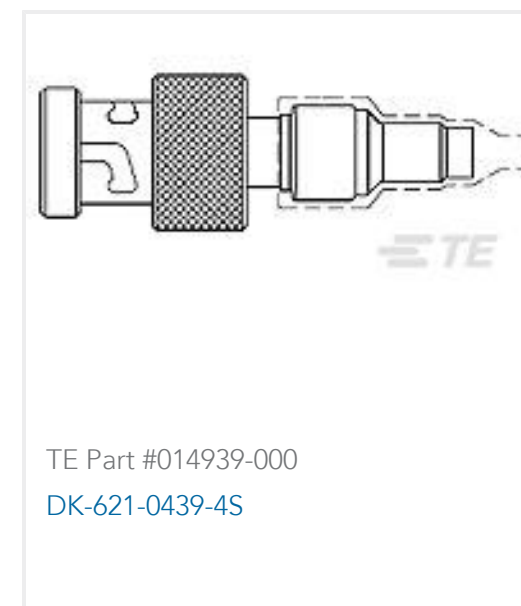
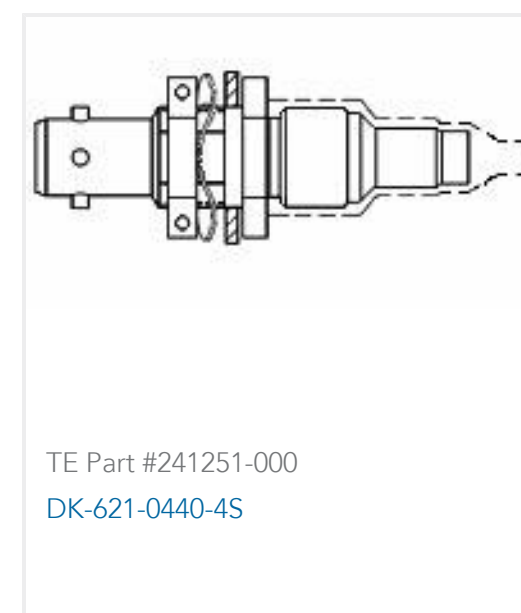
## Compatible Parts

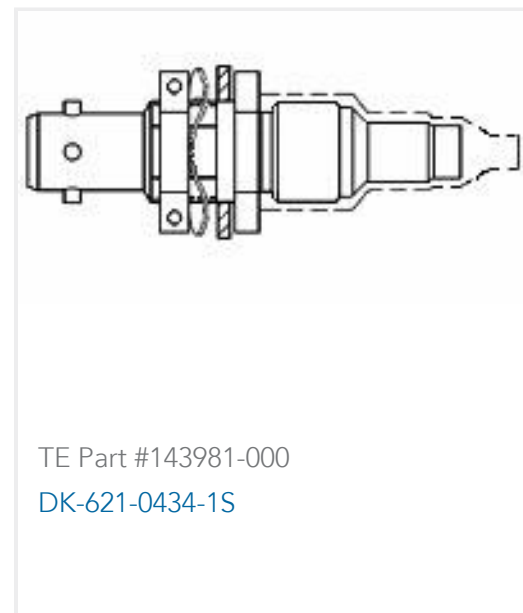
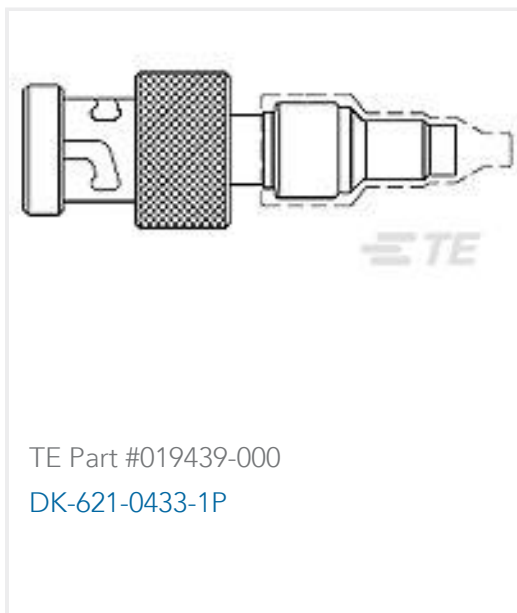


## Also in the Series | CII FCA-125 Series



## Customers Also Bought





## Documents

### Product Drawings

[FCA-125-CX4](#)

English

### CAD Files

[3D PDF](#)

3D

Customer View Model

[ENG\\_CVM\\_CVM\\_7-1617748-5\\_C.2d\\_dxf.zip](#)

English

Customer View Model

[ENG\\_CVM\\_CVM\\_7-1617748-5\\_C.3d\\_igs.zip](#)

English

Customer View Model

[ENG\\_CVM\\_CVM\\_7-1617748-5\\_C.3d\\_stp.zip](#)

English

By downloading the CAD file I accept and agree to the [Terms and Conditions](#) of use.

### Datasheets & Catalog Pages

[5-1773450-5\\_sec5\\_FCA-125](#)

English