



Alcoswitch

TE Internal #: 7-1437621-6

TE Internal Description: KD900A1/4=KNOB AL DIAMOND KNUR

[View on TE.com >](#)

Switches > Switch Knobs



Primary Product Material: 5056 Aluminum Alloy

Knob Design: Diamond Knurl

Shaft Size: 6.35 mm [.25 in]

Product Diameter: 23.9 mm [.94 in]

Primary Product Color: Natural

Features

Configuration Features

Spinner	Without
Skirt	Without
Spin Plate	Without
Knob Design	Diamond Knurl

Body Features

Primary Product Material	5056 Aluminum Alloy
Primary Product Color	Natural

Dimensions

Shaft Size	6.35 mm [.25 in]
Product Diameter	23.9 mm [.94 in]

Identification Marking

Indicator Style	Line
Indicator Location	Side

Other

EU RoHS Compliance	Not Compliant
--------------------	---------------

EU ELV Compliance

Not Compliant

Product Compliance

[For compliance documentation, visit the product page on TE.com>](#)

EU RoHS Directive 2011/65/EU

Not Compliant

EU ELV Directive 2000/53/EC

Not Compliant

China RoHS 2 Directive MIIT Order No 32, 2016

Restricted Materials Above Threshold

EU REACH Regulation (EC) No. 1907/2006

Current ECHA Candidate List: JUNE 2024 (241)

Candidate List Declared Against: JUNE 2024 (241)

SVHC > Threshold:

Pb (.6% in Component Part)

Article Safe Usage Statements:

Do not eat, drink or smoke when using this product. Wash thoroughly after handling. Recycle if possible and dispose of the article by following all applicable governmental regulations relevant to your geographic location.

Halogen Content

Low Halogen - Br, Cl, F, I < 900 ppm per homogenous material. Also BFR/CFR/PVC Free

Solder Process Capability

Not applicable for solder process capability

Product Compliance Disclaimer

This information is provided based on reasonable inquiry of our suppliers and represents our current actual knowledge based on the information they provided. This information is subject to change. The part numbers that TE has identified as EU RoHS compliant have a maximum concentration of 0.1% by weight in homogenous materials for lead, hexavalent chromium, mercury, PBB, PBDE, DBP, BBP, DEHP, DIBP, and 0.01% for cadmium, or qualify for an exemption to these limits as defined in the Annexes of Directive 2011/65/EU (RoHS2). Finished electrical and electronic equipment products will be CE marked as required by Directive 2011/65/EU. Components may not be CE marked. Additionally, the part numbers that TE has identified as EU ELV compliant have a maximum concentration of 0.1% by weight in homogenous materials for lead, hexavalent chromium, and mercury, and 0.01% for cadmium, or qualify for an exemption to these limits as defined in the Annexes of Directive 2000/53/EC (ELV). Regarding the REACH Regulation, the information TE provides on SVHC in articles for this part number is based on the latest European Chemicals Agency (ECHA) 'Guidance on requirements for substances in articles' posted at this URL: <https://echa.europa.eu/guidance-documents/guidance-on-reach>

Customers Also Bought



TE Part #206070-8
CABLE CLAMP KIT #17



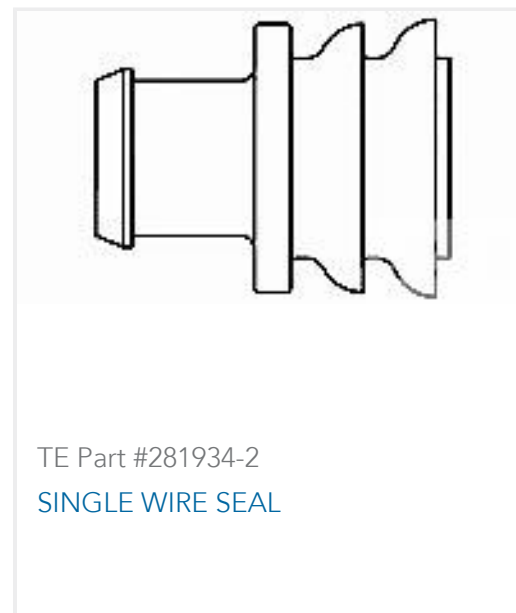
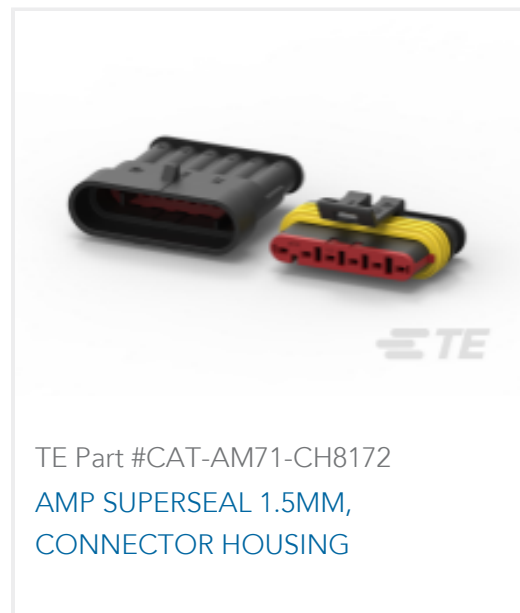
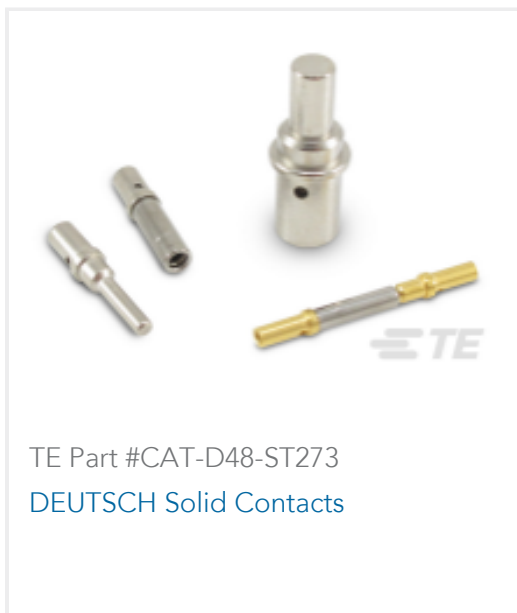
TE Part #DT04-2P
REC, 2P, GRY, N



TE Part #DT06-2S
PLG, 2P, GRY, N



TE Part #CAT-D487-W416
Wedgelocks: DEUTSCH DT



Documents

CAD Files

3D PDF

3D

Customer View Model

[ENG_CVM_CVM_7-1437621-6_A_c-7-1437621-6-a.2d_dxf.zip](#)

English

Customer View Model

[ENG_CVM_CVM_7-1437621-6_A_c-7-1437621-6-a.3d_igs.zip](#)

English

Customer View Model

[ENG_CVM_CVM_7-1437621-6_A_c-7-1437621-6-a.3d_stp.zip](#)

English

By downloading the CAD file I accept and agree to the [Terms and Conditions](#) of use.

Datasheets & Catalog Pages

Alcoswitch Products

English