

TPB11FGRA6 ✓ ACTIVE

[Alcoswitch](#) | [Alcoswitch TPB](#)

TE Internal #: 7-1437571-3

General Purpose Push Button Switch, Single Pole - Double Throw Configuration (Pole-Throw), Single Actuator, Extended Actuator, Alcoswitch TPB

[View on TE.com >](#)



Switches > Push Button Switches



Push Button Switch Product Type: **General Purpose Push Button Switch**

Configuration (Pole-Throw): **Single Pole - Double Throw**

Number of Actuators: **Single**

Actuator Profile: **Extended**

Bushing Style: **Unthreaded**

Features

Termination Features

Termination Method to PCB	Through Hole - Solder
---------------------------	-----------------------

Usage Conditions

Operating Temperature Range	-30 – 65 °C
-----------------------------	-------------

Packaging Features

Packaging Method	Bulk
------------------	------

Dimensions

Button Width	2.54 mm[.1 in]
Bushing Length	5.49 mm[.216 in]
Bushing Diameter	4.78 mm[.188 in]
Actuator Length	3.48 mm[.137 in]

Contact Features

Contact Base Material	Copper Alloy
Switch Contact Plating Material	Gold over Nickel

Housing Features

Low Profile	No
Process Sealed	No

Body Features



Case Material	Polyester
Actuator Material	Polyamide
Product Orientation	Right Angle
Actuator Force	50 – 400 g[1.77 – 14.11 oz]
Actuator Profile	Extended
Bushing Style	Unthreaded
Actuator Color	Blue

Product Type Features

Switch Connection Type	Printed Circuit
Push Button Switch Product Type	General Purpose Push Button Switch
Illuminated	Without
Actuator Style	Round Actuator

Configuration Features

Configuration (Pole-Throw)	Single Pole - Double Throw
Number of Actuators	Single
Snap Action	Without
Support Bracket	Without
Switch Feedback Type	Non-Tactile
Operating Function	Momentary

Electrical Characteristics

Contact Current Rating	.4 A
Operating Voltage Range	20 VDC

Other

EU RoHS Compliance	Not Compliant
EU ELV Compliance	Compliant with Exemptions

Product Compliance

[For compliance documentation, visit the product page on TE.com>](#)

EU RoHS Directive 2011/65/EU	Not Compliant
EU ELV Directive 2000/53/EC	Compliant with Exemptions
China RoHS 2 Directive MIIT Order No 32, 2016	Restricted Materials Above Threshold
EU REACH Regulation (EC) No. 1907/2006	Current ECHA Candidate List: JUNE 2024 (241)



Candidate List Declared Against: JAN 2023
(233)

SVHC > Threshold:

Pb (2.59% in Component part)

Article Safe Usage Statements:

Do not eat, drink or smoke when using this product. Wash thoroughly after handling. Recycle if possible and dispose of the article by following all applicable governmental regulations relevant to your geographic location.

Halogen Content

Low Halogen - Br, Cl, F, I < 900 ppm per homogenous material. Also BFR/CFR/PVC Free

Solder Process Capability

Wave solder capable to 265°C

Product Compliance Disclaimer

This information is provided based on reasonable inquiry of our suppliers and represents our current actual knowledge based on the information they provided. This information is subject to change. The part numbers that TE has identified as EU RoHS compliant have a maximum concentration of 0.1% by weight in homogenous materials for lead, hexavalent chromium, mercury, PBB, PBDE, DBP, BBP, DEHP, DIBP, and 0.01% for cadmium, or qualify for an exemption to these limits as defined in the Annexes of Directive 2011/65/EU (RoHS2). Finished electrical and electronic equipment products will be CE marked as required by Directive 2011/65/EU. Components may not be CE marked. Additionally, the part numbers that TE has identified as EU ELV compliant have a maximum concentration of 0.1% by weight in homogenous materials for lead, hexavalent chromium, and mercury, and 0.01% for cadmium, or qualify for an exemption to these limits as defined in the Annexes of Directive 2000/53/EC (ELV). Regarding the REACH Regulations, TE's information on SVHC in articles for this part number is still based on the European Chemical Agency (ECHA) 'Guidance on requirements for substances in articles' (Version: 2, April 2011), applying the 0.1% weight on weight concentration threshold at the finished product level. TE is aware of the European Court of Justice ruling of September 10th, 2015 also known as O5A (Once An Article Always An Article) stating that, in case of 'complex object', the threshold for a SVHC must be applied to both the product as a whole and simultaneously to each of the articles forming part of its composition. TE has evaluated this ruling based on the new ECHA "Guidance on requirements for substances in articles" (June 2017, version 4.0) and will be updating its statements accordingly.

Compatible Parts

TE Part # 7-1437571-7
TPB11FGVRA0=TINY PUSHBUTTON

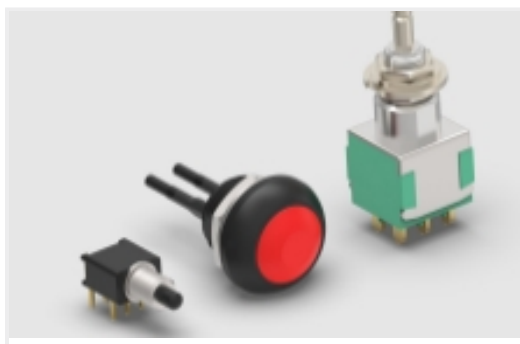
TE Part # 1825095-2
TP11CGPC204

TE Part # 1825095-3
TP11CGRA004

TE Part # 1437571-4
TP11CGPC0=SWITCH P/B N/O BLACK

TE Part # 1825095-1
TP11CGPC004

Also in the Series | **Alcoswitch TPB**

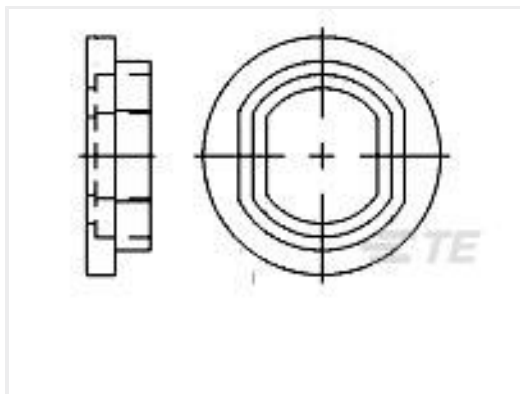


General Purpose Push Button Switches (15)



Push Button Switches(15)

Customers Also Bought



TE Part #329487
MIN THRD,BUSHING



TE Part #ZPF000000000008208
983-6KE 10-06 PN-L



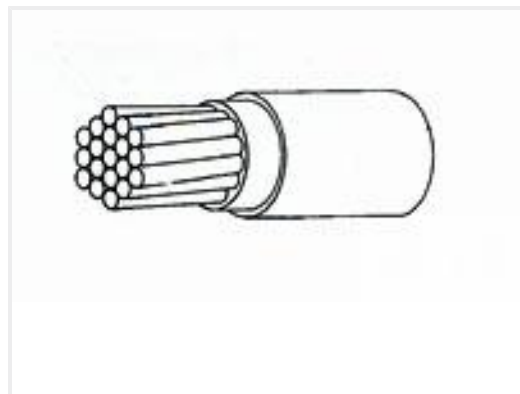
TE Part #016897-000
101A031-25/86-0



TE Part #836709-000
101A041-25/86-0



TE Part #K1160479
Push button switch TS-211-GE11



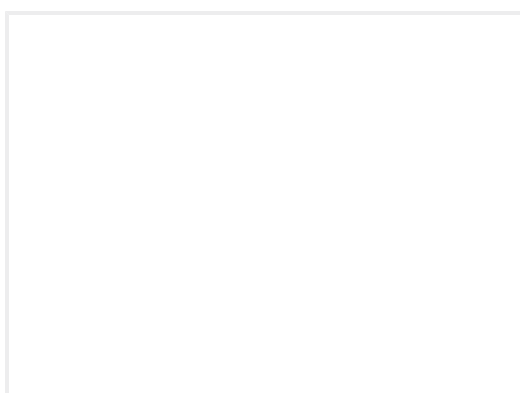
TE Part #218283-000
55A0811-26-9



TE Part #YACT24JD18AN000000
JAM NUT RECEPTACLE



TE Part #2-330312-2
MINIATURE THREADED RECEPTACLES



TE Part #ZPF0000000000015349
DMC-M 44-01 A1064



TE Part #YDTS20T17-26BNV001
RECP ASSY

Documents

Product Drawings

[TPB11FGRA6=SW P/B MOMENTARY](#)

English

Datasheets & Catalog Pages

[TP Series Data Sheet](#)

English