



Switches > Toggle Switches



Configuration (Pole-Throw): **Single Pole - Double Throw**

Operating Function: **On None (On)**

Contact Current Rating: **.4 A**

Operating Voltage: **20 VAC**

Features

Product Type Features

Sealed Device	Yes
Toggle Style	Baton Long
Switch Type	Toggle Switch

Configuration Features

Configuration (Pole-Throw)	Single Pole - Double Throw
Operating Function	On None (On)

Electrical Characteristics

Dielectric Withstanding Voltage (Max)	1000 VAC
Insulation Resistance	1000 MΩ
Contact Current Rating	.4 A
Operating Voltage	20 VAC

Body Features

Actuator Finish	Gold
Product Orientation	Right Angle
Bushing Style	Threaded
Bushing Thread Size	1/4-40

Contact Features

Contact Base Material	Gold
Switch Contact Plating Material	Gold over Nickel

Housing Features

Process Sealed	No
----------------	----

Dimensions

Toggle Length	10.69 mm[.421 in]
---------------	-------------------

Industry Standards

UL Flammability Rating	UL 94V-0
------------------------	----------

Product Compliance

[For compliance documentation, visit the product page on TE.com>](#)

EU RoHS Directive 2011/65/EU	Not Yet Reviewed
EU ELV Directive 2000/53/EC	Compliant with Exemptions
China RoHS 2 Directive MIIT Order No 32, 2016	Restricted Materials Above Threshold
EU REACH Regulation (EC) No. 1907/2006	Current ECHA Candidate List: JUNE 2025 (250) Candidate List Declared Against: JAN 2018 (181) SVHC > Threshold: Not Yet Reviewed
Halogen Content	Low Halogen - Br, Cl, F < 900 ppm per homogenous material. Also BFR/CFR/PVC Free
Solder Process Capability	Wave solder capable to 265°C

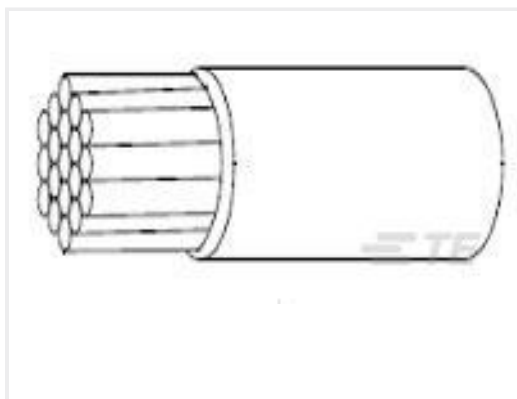
Product Compliance Disclaimer

This information is provided based on reasonable inquiry of our suppliers and represents our current actual knowledge based on the information they provided. This information is subject to change. The part numbers that TE has identified as EU RoHS compliant have a maximum concentration of 0.1% by weight in homogenous materials for lead, hexavalent chromium, mercury, PBB, PBDE, DBP, BBP, DEHP, DIBP, and 0.01% for cadmium, or qualify for an exemption to these limits as defined in the Annexes of Directive 2011/65/EU (RoHS2). Finished electrical and electronic equipment products will be CE marked as required by Directive 2011/65/EU. Components may not be CE marked. Additionally, the part numbers that TE has identified as EU ELV compliant have a maximum concentration of 0.1% by weight in homogenous materials for lead, hexavalent chromium, and mercury, and 0.01% for cadmium, or qualify for an exemption to these limits as defined in the Annexes of Directive 2000/53/EC (ELV). Regarding the REACH Regulations, TE's information on SVHC in articles for this part number is still based on the European Chemical Agency (ECHA) 'Guidance on requirements for substances in articles' (Version: 2, April 2011), applying the 0.1% weight on weight concentration threshold at the finished product level. TE is aware of the European Court of Justice ruling of September 10th, 2015 also known as O5A (Once An Article Always An Article) stating that, in case of 'complex object', the threshold for a SVHC must be applied to both the product as a whole and simultaneously to each of the articles forming part of its composition. TE has evaluated this ruling based on the new ECHA "Guidance on requirements for substances in articles" (June 2017, version 4.0) and will be updating its statements accordingly.

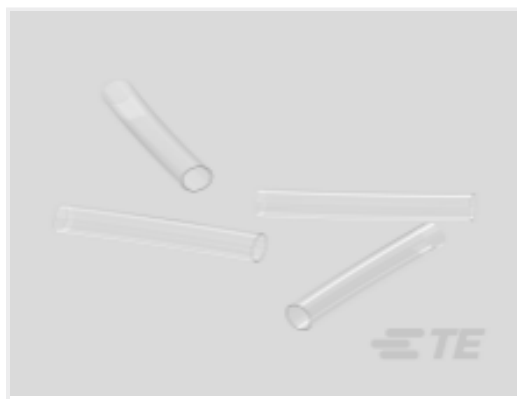
Customers Also Bought



TE Part #ZPF0000000000001930
182-0118-20



TE Part #769817-002
22759/32-24-0



TE Part #NB16212001
RW-175-1/16-X-STK



TE Part #1099510001
TMS-SCE-1K-3/16-2.0-9



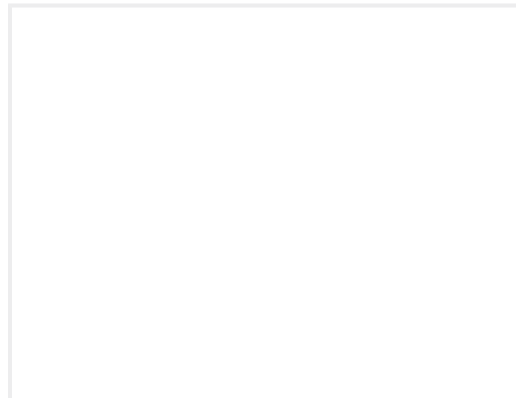
TE Part #47386
DAHT PG PIDG 26-16 ASSY



TE Part #130560
TERMINAL SOLISTRAND RING
TONGUE DIA 6,1



TE Part #4-1617806-1
FC-325-2=MS27418-1B



TE Part #2560-215-1631
CONT PIN



TE Part #YDIV43E11-99PNC003
RECP ASSY

Documents

CAD Files

3D PDF

3D

Customer View Model

[ENG_CVM_CVM_7-1437561-5_B_c-7-1437561-5-b.2d_dxf.zip](#)

English

Customer View Model

[ENG_CVM_CVM_7-1437561-5_B_c-7-1437561-5-b.3d_igs.zip](#)

English

Customer View Model

[ENG_CVM_CVM_7-1437561-5_B_c-7-1437561-5-b.3d_stp.zip](#)

English

By downloading the CAD file I accept and agree to the [Terms and Conditions](#) of use.

Datasheets & Catalog Pages

[SWITCHES_CORE_PROGRAM_CATALOG](#)

English