

7-1415390-1 ✓ ACTIVE

SCHRACK | SCHRACK Miniature PCB Relay PE bistable

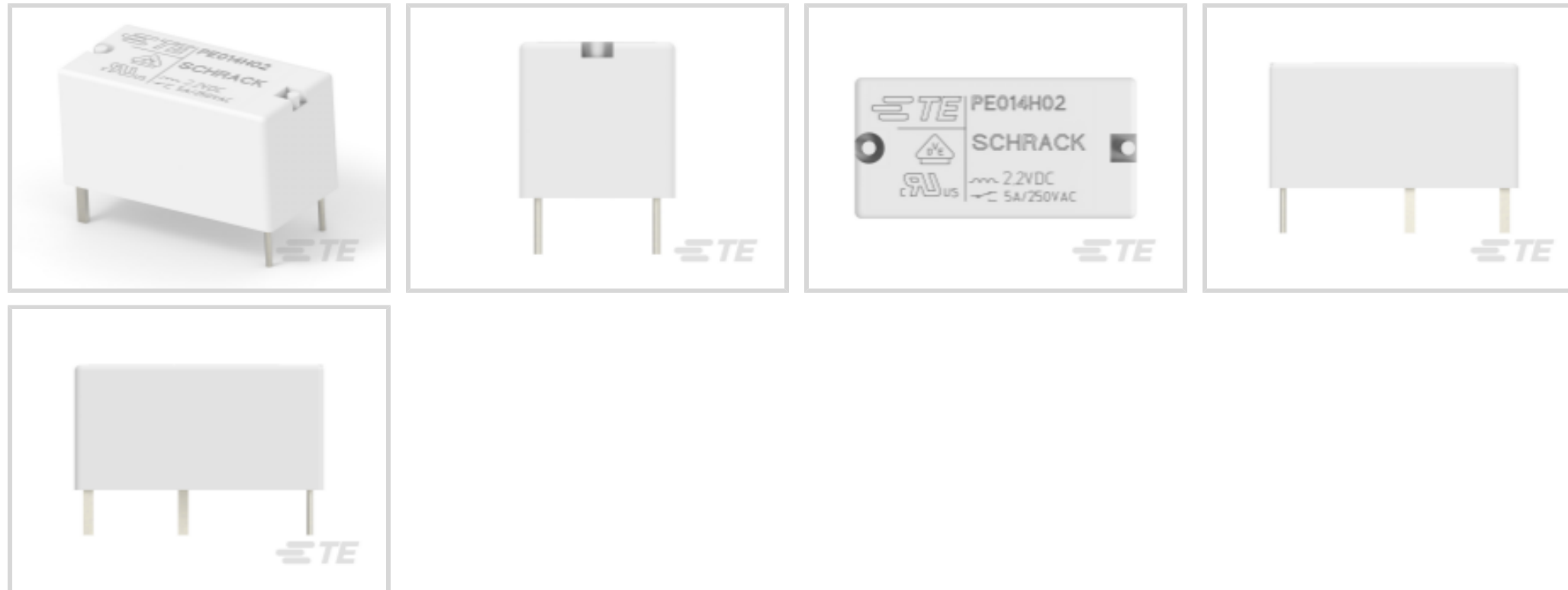
TE Internal #: 7-1415390-1

General Purpose Power Relay, Bistable, 1 Coil, Polarized, 1 Form C SPDT-CO, 5 A Contact Rating, SCHRACK Miniature PCB Relay PE bistable

[View on TE.com >](#)



Relays & Contactors > Electromechanical Relays



Relay & Contactor Type: **General Purpose Power Relay**

Coil Magnetic System: **Bistable, 1 Coil, Polarized**

Contact Arrangement: **1 Form C SPDT-CO**

Contact Current Rating: **5 A**

Coil Voltage Rating: **2 VDC**

Features

Contact Features

Contact Material	AgNi90/10
------------------	-----------

Dimensions

Insulation Clearance Between Contact & Coil	3.2 mm[.126 in]
---	-----------------

Insulation Creepage Between Contact & Coil	4 mm[.157 in]
--	---------------

Product Width	10 mm[.393 in]
---------------	----------------

Product Length	20 mm[.787 in]
----------------	----------------

Product Height	10 mm[.393 in]
----------------	----------------

Packaging Features

Packaging Method	Carton, Box & Tube
------------------	--------------------

Other

Coil Power Rating Class	.2 – .3 W
-------------------------	-----------

Contact Current Class	16 A
-----------------------	------

Environmental Ambient Temperature Class	70 – 85 °C
---	------------

Height Class (Mechanical)	9 – 10 mm
---------------------------	-----------



Length Class (Mechanical)	16 – 20 mm
Width Class (Mechanical)	8 – 10 mm
EU RoHS Compliance	Compliant
EU ELV Compliance	Compliant

Usage Conditions

Environmental Category of Protection	RTII
Environmental Ambient Temperature (Max)	85 °C[185 °F]

Body Features

	.1764 oz
Enclosure Type	Flux Resistant Automatic Soldering

Electrical Characteristics

Contact Limiting Short-Time Current	5 A
Contact Limiting Making Current	5 A
Contact Limiting Continuous Current	5 A
Contact Limiting Breaking Current	5 A
Insulation Initial Dielectric Between Open Contacts	1000 Vrms
Contact Switching Voltage (Max)	400 VAC
Coil Resistance	22 Ω
Insulation Initial Resistance	10000000 MΩ
Contact Current Rating	5 A
Coil Voltage Rating	2 VDC
Contact Voltage Rating	250 VAC
Coil Power Rating DC	.22 W
Insulation Initial Dielectric Between Contacts & Coil	4000 Vrms

Configuration Features

Contact Number of Poles	1
Contact Arrangement	1 Form C SPDT-CO

Operation/Application

Solder Process	Wave Solder
Coil Magnetic System	Bistable, 1 Coil, Polarized

Product Type Features

Relay & Contactor Type	General Purpose Power Relay
------------------------	-----------------------------



Termination Features

Main Termination & Connection Type	Solder Pins
Coil Termination & Connection Type	Solder Pins

Mechanical Attachment

Product Mount Type	Board Mount
--------------------	-------------

Product Compliance

[For compliance documentation, visit the product page on TE.com>](#)

EU RoHS Directive 2011/65/EU	Compliant
EU ELV Directive 2000/53/EC	Compliant
China RoHS 2 Directive MIIT Order No 32, 2016	No Restricted Materials Above Threshold
EU REACH Regulation (EC) No. 1907/2006	Current ECHA Candidate List: JUNE 2024 (241) Candidate List Declared Against: JUNE 2024 (241) Does not contain REACH SVHC
Halogen Content	Not Low Halogen - contains Br or Cl > 900 ppm.
Solder Process Capability	Wave solder capable to 260°C

Product Compliance Disclaimer

This information is provided based on reasonable inquiry of our suppliers and represents our current actual knowledge based on the information they provided. This information is subject to change. The part numbers that TE has identified as EU RoHS compliant have a maximum concentration of 0.1% by weight in homogenous materials for lead, hexavalent chromium, mercury, PBB, PBDE, DBP, BBP, DEHP, DIBP, and 0.01% for cadmium, or qualify for an exemption to these limits as defined in the Annexes of Directive 2011/65/EU (RoHS2). Finished electrical and electronic equipment products will be CE marked as required by Directive 2011/65/EU. Components may not be CE marked. Additionally, the part numbers that TE has identified as EU ELV compliant have a maximum concentration of 0.1% by weight in homogenous materials for lead, hexavalent chromium, and mercury, and 0.01% for cadmium, or qualify for an exemption to these limits as defined in the Annexes of Directive 2000/53/EC (ELV). Regarding the REACH Regulation, the information TE provides on SVHC in articles for this part number is based on the latest European Chemicals Agency (ECHA) 'Guidance on requirements for substances in articles' posted at this URL: <https://echa.europa.eu/guidance-documents/guidance-on-reach>

Compatible Parts



TE Part # 8-1415390-1
PE014H03

Also in the Series | SCHRACK Miniature PCB Relay PE bistable



DC Relays(15)



Electromechanical Relays(30)

Customers Also Bought



TE Part #2120744-2
MAG-MATE Slim Line with Multispring



TE Part #2314878-4
4P,2MM,B-B,REC,SRVT,2.7,0.76AU,TB



TE Part #2-1601042-2
131-090-120=PIN,024SQ,STD,SMZ



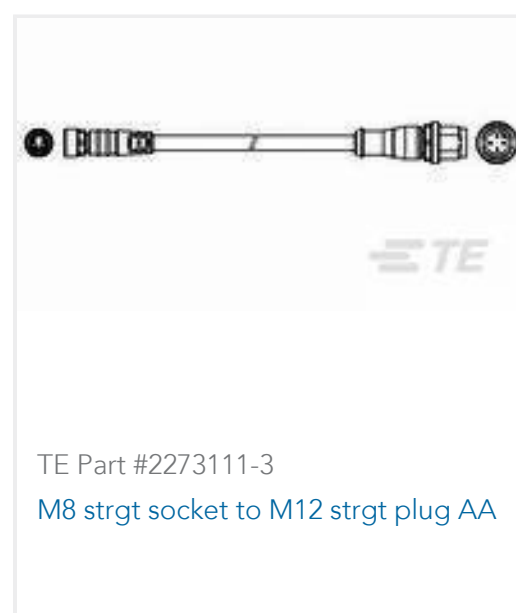
TE Part #3-1879129-4
RN 0402 1K58 0.1% 10PPM CUT LENGTH



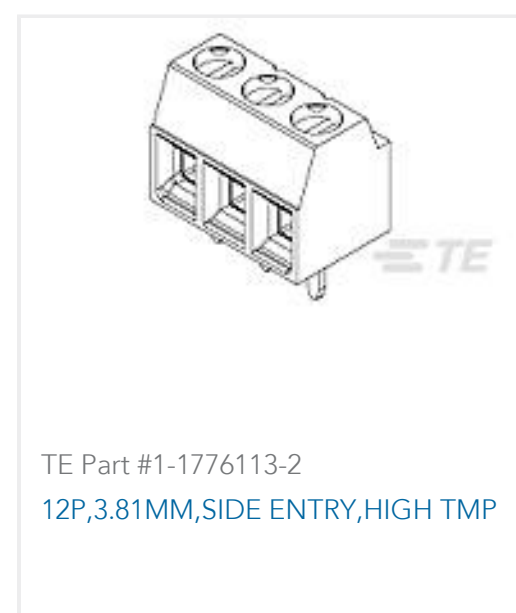
TE Part #2-1986712-1
SCREWLESS, SW,21P,5.08 PCB



TE Part #1601006-2
131-015-002=TAB,187X020,STDSMZ



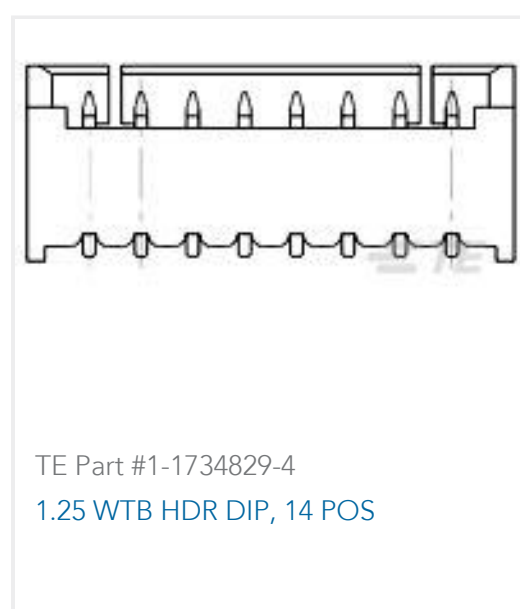
TE Part #2273111-3
M8 strgt socket to M12 strgt plug AA



TE Part #1-1776113-2
12P,3.81MM,SIDE ENTRY,HIGH TMP



TE Part #6-1622824-0
RL73N 1J R56 5% 5K RL



TE Part #1-1734829-4
1.25 WTB HDR DIP, 14 POS



Documents

CAD Files

Customer View Model

[ENG_CVM_CVM_7-1415390-1_E2.3d_igs.zip](#)

English

Customer View Model

[ENG_CVM_CVM_7-1415390-1_E2.3d_stp.zip](#)

English

Customer View Model

[ENG_CVM_CVM_7-1415390-1_E2.2d_dxf.zip](#)

English

3D PDF

3D

By downloading the CAD file I accept and agree to the [Terms and Conditions](#) of use.

Datasheets & Catalog Pages

[Miniature PCB Relay PE bistable](#)

English

Product Specifications

[Definitions General Purpose Relays](#)

English

Agency Approvals

[VDE Certificate](#)

English