

SSRK-600A30 ✓ ACTIVE

Potter & Brumfield | Potter & Brumfield SSRK

TE Internal #: 7-1393030-1

AC Input Solid State Relay, 1 Form A SPST-NO, 90 – 280 VAC Input, 48 – 660 Vrms Output, AC Output, DIN Rail, Black, Potter & Brumfield SSRK

[View on TE.com >](#)



Relays & Contactors > Solid State Relays > P&B Solid State Relays, SSRK Series



Input Current Type: AC

Contact Arrangement: 1 Form A SPST-NO

Input Voltage: 90 – 280 VAC

Output Voltage Rating: 48 – 660 Vrms

Output Switching: Zero

[All P&B Solid State Relays, SSRK Series \(10\)](#)

Features

Mechanical Attachment

Product Mounting Feature Type	Mounting Hole
Product Mount Type	DIN Rail

Electrical Characteristics

Insulation Initial Dielectric Between Contacts & Coil	4000 Vrms
Input Voltage	90 – 280 VAC
Output Voltage Rating	48 – 660 Vrms

Configuration Features

Relay Options	Integral Heatsink
Contact Arrangement	1 Form A SPST-NO

Operation/Application

Input Current Type	AC
Output Switching	Zero



Output Current Type	AC
---------------------	----

Termination Features

Relay Connection Type	Terminals
Terminal Configuration	Screw Terminals

Body Features

Primary Product Color	Black
Product Weight	280 g[9.87 oz]

Dimensions

Product Length	82.3 mm[3.24 in]
Product Width	22.5 mm[.885 in]
Product Height	111.5 mm[4.38 in]

Usage Conditions

Operating Temperature Range	-30 – 80 °C[-22 – 176 °F]
-----------------------------	---------------------------

Other

EU RoHS Compliance	Compliant
EU ELV Compliance	Compliant with Exemptions

Product Compliance

[For compliance documentation, visit the product page on TE.com>](#)

EU RoHS Directive 2011/65/EU	Compliant
EU ELV Directive 2000/53/EC	Compliant with Exemptions
China RoHS 2 Directive MIIT Order No 32, 2016	No Restricted Materials Above Threshold
EU REACH Regulation (EC) No. 1907/2006	Current ECHA Candidate List: JUNE 2024 (241) Candidate List Declared Against: JUNE 2023 (235) Does not contain REACH SVHC
Halogen Content	Low Halogen - Br, Cl, F, I < 900 ppm per homogenous material. Also BFR/CFR/PVC Free
Solder Process Capability	Not applicable for solder process capability

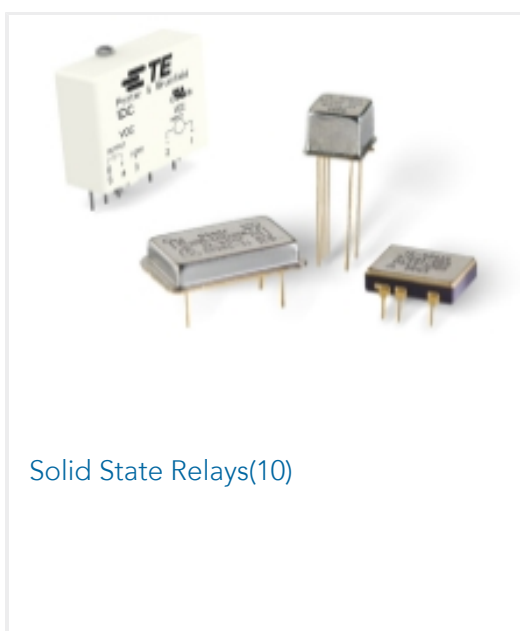
Product Compliance Disclaimer

This information is provided based on reasonable inquiry of our suppliers and represents our current actual knowledge based on the information they provided. This information is subject to change. The part numbers that TE has identified as EU RoHS compliant have a maximum concentration of 0.1% by weight in homogenous materials for lead, hexavalent chromium, mercury, PBB, PBDE, DBP, BBP, DEHP, DIBP, and 0.01% for cadmium, or qualify for an exemption to these



limits as defined in the Annexes of Directive 2011/65/EU (RoHS2). Finished electrical and electronic equipment products will be CE marked as required by Directive 2011/65/EU. Components may not be CE marked. Additionally, the part numbers that TE has identified as EU ELV compliant have a maximum concentration of 0.1% by weight in homogenous materials for lead, hexavalent chromium, and mercury, and 0.01% for cadmium, or qualify for an exemption to these limits as defined in the Annexes of Directive 2000/53/EC (ELV). Regarding the REACH Regulation, the information TE provides on SVHC in articles for this part number is based on the latest European Chemicals Agency (ECHA) 'Guidance on requirements for substances in articles' posted at this URL: <https://echa.europa.eu/guidance-documents/guidance-on-reach>

Also in the Series | **Potter & Brumfield SSRK**



Solid State Relays(10)

Customers Also Bought



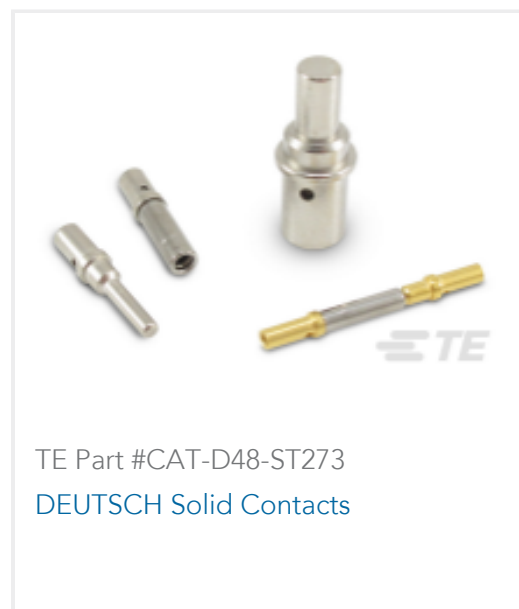
TE Part #DT04-2P
REC, 2P, GRY, N



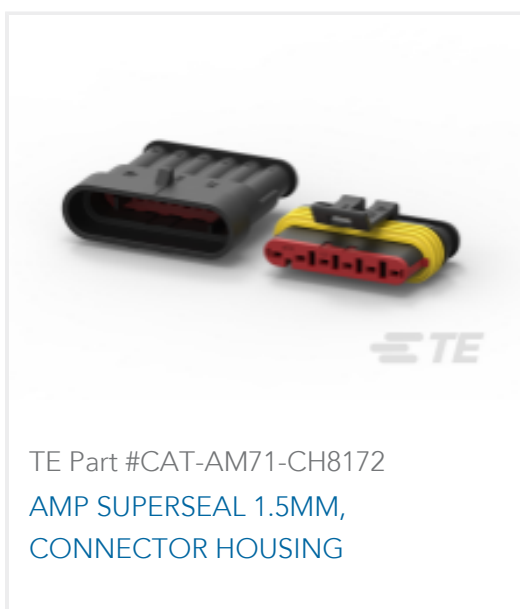
TE Part #DT06-2S
PLG, 2P, GRY, N



TE Part #CAT-D487-W416
Wedgelocks: DEUTSCH DT



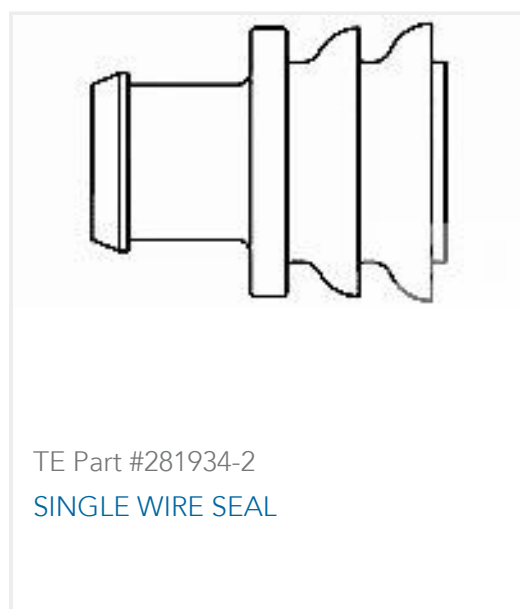
TE Part #CAT-D48-ST273
DEUTSCH Solid Contacts



TE Part #CAT-AM71-CH8172
AMP SUPERSEAL 1.5MM,
CONNECTOR HOUSING



TE Part #114017-ZZ
SEALING PLUG, SIZE 12/16, WHT



TE Part #281934-2
SINGLE WIRE SEAL

Documents

CAD Files

Customer View Model

[ENG_CVM_CVM_7-1393030-1_B2.3d_igs.zip](#)

English

Customer View Model

[ENG_CVM_CVM_7-1393030-1_B2.3d_stp.zip](#)

English



Customer View Model

[ENG_CVM_CVM_7-1393030-1_B2.2d_dxf.zip](#)

English

[3D PDF](#)

3D

By downloading the CAD file I accept and agree to the [Terms and Conditions](#) of use.

Datasheets & Catalog Pages

[Potter & Brumfield SSRK SSRM Series](#)

English

[SSRK_Datasheet](#)

English

Agency Approvals

[UL](#)

English