

MTC100-JH1-P22 ✓ ACTIVE

RAYCHEM | RAYCHEM MTC100

TE Internal #: 699693-000

Housing Kit, Plug, Crimp, Wire-to-Wire, Normal, UL 94V-0, 2.54 mm

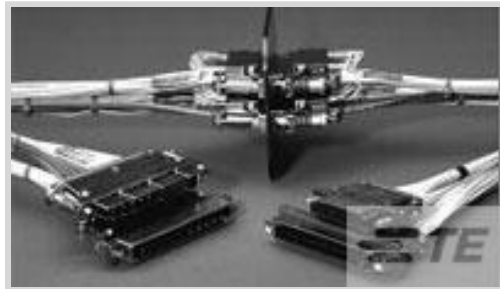
[.1 in] Centerline, 1500 VAC, RAYCHEM MTC100, Standard

Rectangular Connectors

[View on TE.com >](#)



Connectors > Rectangular Connectors > Standard Rectangular Connectors



Connector Product Type: **Housing Kit**

Connector & Housing Type: **Plug**

Mating Alignment: **With**

Mating Alignment Type: **Keyed**

Mating Retention: **With**

Features

Body Features

Shell Plating Material	Nickel
Strain Relief Type	Cable Clamp

Electrical Characteristics

Operating Voltage	1500 VAC
-------------------	----------

Contact Features

Contact Type	Pin
Contact Retention Within Housing	With
Contact Current Rating (Max)	5 A

Mechanical Attachment

Panel Mount Feature Type	Mounting Ears
Mating Alignment	With
Mating Alignment Type	Keyed
Mating Retention	With
Mating Retention Type	Jackscrew
Connector Mounting Type	Cable Mount (Free-Hanging)

Product Type Features

Connector Shell Size	01
Connector Product Type	Housing Kit



Connector & Housing Type	Plug
Connector System	Wire-to-Wire
Insertion Force Type	Normal
Connector & Contact Terminates To	Wire & Cable

Termination Features

Termination Method to Wire & Cable	Crimp
------------------------------------	-------

Housing Features

Centerline (Pitch)	2.54 mm [.1 in]
--------------------	-----------------

Usage Conditions

Operating Temperature Range	-65 – 125 °C [-85 – 257 °F]
-----------------------------	-----------------------------

Operation/Application

Shielded	No
Circuit Application	Power & Signal

Industry Standards

UL Flammability Rating	UL 94V-0
------------------------	----------

Other

EU RoHS Compliance	Compliant
EU ELV Compliance	Compliant

Product Compliance

[For compliance documentation, visit the product page on TE.com>](#)

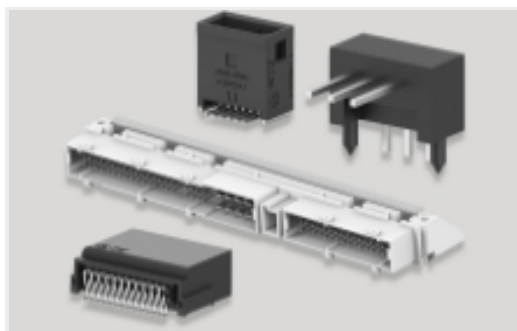
EU RoHS Directive 2011/65/EU	Compliant
EU ELV Directive 2000/53/EC	Compliant
China RoHS 2 Directive MIIT Order No 32, 2016	No Restricted Materials Above Threshold
EU REACH Regulation (EC) No. 1907/2006	Current ECHA Candidate List: JUNE 2024 (241) Candidate List Declared Against: JAN 2024 (240) Does not contain REACH SVHC
Halogen Content	Not Yet Reviewed for halogen content
Solder Process Capability	Not applicable for solder process capability

Product Compliance Disclaimer



This information is provided based on reasonable inquiry of our suppliers and represents our current actual knowledge based on the information they provided. This information is subject to change. The part numbers that TE has identified as EU RoHS compliant have a maximum concentration of 0.1% by weight in homogenous materials for lead, hexavalent chromium, mercury, PBB, PBDE, DBP, BBP, DEHP, DIBP, and 0.01% for cadmium, or qualify for an exemption to these limits as defined in the Annexes of Directive 2011/65/EU (RoHS2). Finished electrical and electronic equipment products will be CE marked as required by Directive 2011/65/EU. Components may not be CE marked. Additionally, the part numbers that TE has identified as EU ELV compliant have a maximum concentration of 0.1% by weight in homogenous materials for lead, hexavalent chromium, and mercury, and 0.01% for cadmium, or qualify for an exemption to these limits as defined in the Annexes of Directive 2000/53/EC (ELV). Regarding the REACH Regulation, the information TE provides on SVHC in articles for this part number is based on the latest European Chemicals Agency (ECHA) 'Guidance on requirements for substances in articles' posted at this URL: <https://echa.europa.eu/guidance-documents/guidance-on-reach>

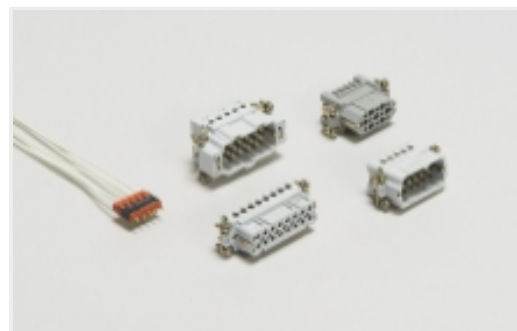
Also in the Series | **RAYCHEM MTC100**



PCB Headers & Receptacles(6)



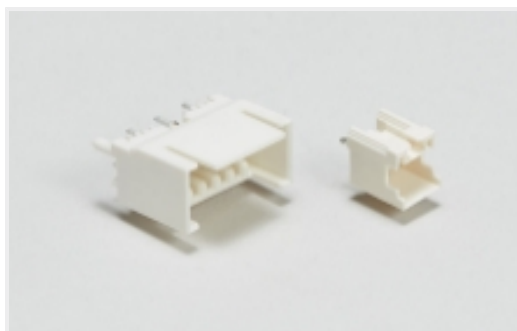
Rectangular Connector Housings(20)



Rectangular Contact Inserts(33)

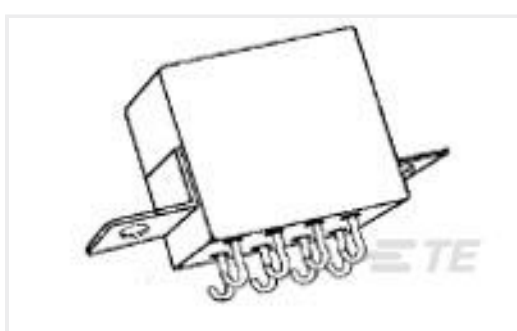


Standard Rectangular Connectors(20)



Wire-to-Board Headers & Receptacles (6)

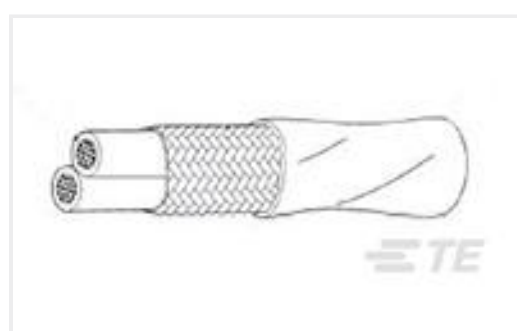
Customers Also Bought



TE Part #4-1617758-8
FCB-205-0223M=M83536/2-023M



TE Part #BTH1-09-03-1-B
BTH1-09-03-1-B



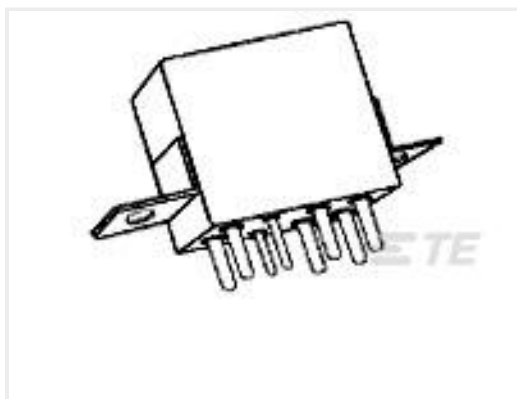
TE Part #646855-000
55PC2121-16-9/96-9



TE Part #31890
PIDG R 22-16 COMM 22-18 MIL 8



TE Part #38941-22L
CONTACTS



TE Part #5-1617758-0
FCB-205-0224M=M83536/2-024M



TE Part #1532216-1
M83513/01-HN, MCKS-N1-B-100PS



TE Part #100393-000
82A0121-22-0/9



TE Part #5580654002
VPB-5/8-0-SP



TE Part #YDTS24W21-41SBV001
RECP ASSY

Documents

Product Drawings

[MTC100-JH1-P22](#)

English

CAD Files

[3D PDF](#)

3D

Customer View Model

[ENG_CVM_CVM_699693-000_T.2d_dxf.zip](#)

English

Customer View Model

[ENG_CVM_CVM_699693-000_T.3d_igs.zip](#)

English

Customer View Model

[ENG_CVM_CVM_699693-000_T.3d_stp.zip](#)

English

By downloading the CAD file I accept and agree to the [Terms and Conditions](#) of use.