

RAYCHEM

TE Internal #: 691967-000

600 V, Silver-Coated High Strength Copper Alloy, 28 AWG, -65 –
200 °C, Hook Up Wire[View on TE.com >](#)

Wire & Cable > Hook Up Wire > Space Wire: Silver Coated Copper Wire, 28 AWG

Cable Type: **Spec 55**Operating Voltage: **600 V**Wire & Cable Insulation Material: **Modified Radiation Cross-linked ETFE Polymer**Conductor Material: **Silver-Coated High Strength Copper Alloy**Wire Size: **28 AWG**[All Space Wire: Silver Coated Copper Wire, 28 AWG \(9\)](#)

Features

Usage Conditions

| | |
|-----------------------------|--------------|
| Cable Type | Spec 55 |
| Operating Temperature Range | -65 – 200 °C |

Electrical Characteristics

| | |
|-------------------|-------|
| Operating Voltage | 600 V |
|-------------------|-------|

Body Features

| | |
|----------------------------------|--|
| Wire & Cable Insulation Material | Modified Radiation Cross-linked ETFE Polymer |
| Conductor Material | Silver-Coated High Strength Copper Alloy |
| Wire Color (Base) | Black |

Dimensions

| | |
|-----------|--------|
| Wire Size | 28 AWG |
|-----------|--------|

Other

| | |
|--------------------|---------------|
| EU RoHS Compliance | Not Compliant |
| EU ELV Compliance | Not Compliant |

Product Compliance

[For compliance documentation, visit the product page on TE.com>](#)



| | |
|---|--|
| EU RoHS Directive 2011/65/EU | Not Compliant |
| EU ELV Directive 2000/53/EC | Not Compliant |
| China RoHS 2 Directive MIIT Order No 32, 2016 | Restricted Materials Above Threshold |
| EU REACH Regulation (EC) No. 1907/2006 | <p>Current ECHA Candidate List: JUNE 2024 (241)</p> <p>Candidate List Declared Against: JAN 2024 (240)</p> <p>SVHC > Threshold: Cd (.6% in Conductor)</p> <p>Article Safe Usage Statements: Use personal protective equipment as required. Do not eat, drink or smoke when using this product. Recycle if possible and dispose of the article by following all applicable governmental regulations relevant to your geographic location.</p> |
| Halogen Content | Low Bromine/Chlorine - Br and Cl < 900 ppm per homogenous material. Also BFR /CFR/PVC Free |
| Solder Process Capability | Not applicable for solder process capability |

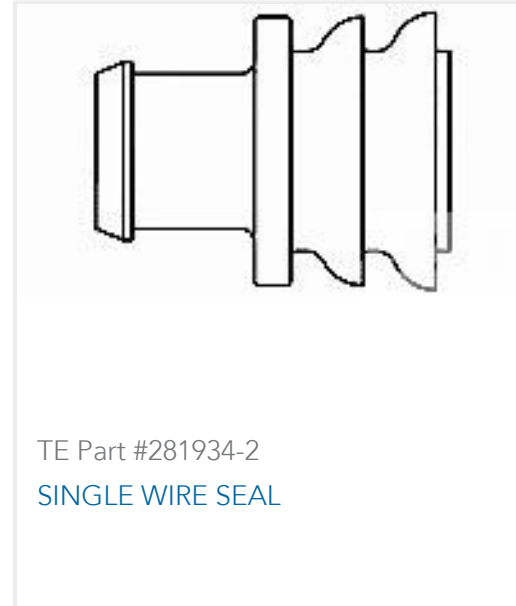
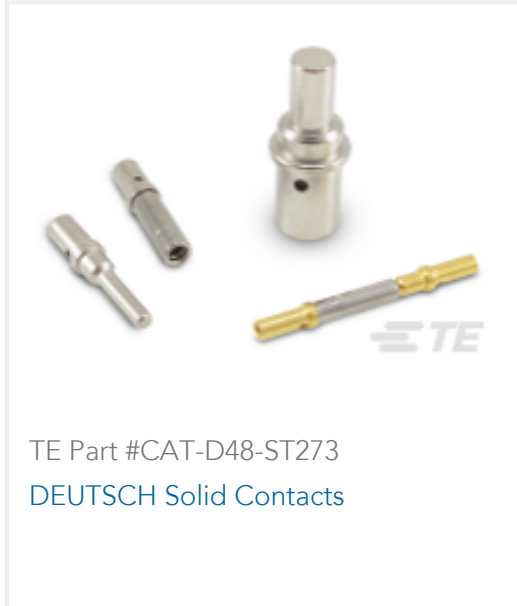
Product Compliance Disclaimer

This information is provided based on reasonable inquiry of our suppliers and represents our current actual knowledge based on the information they provided. This information is subject to change. The part numbers that TE has identified as EU RoHS compliant have a maximum concentration of 0.1% by weight in homogenous materials for lead, hexavalent chromium, mercury, PBB, PBDE, DBP, BBP, DEHP, DIBP, and 0.01% for cadmium, or qualify for an exemption to these limits as defined in the Annexes of Directive 2011/65/EU (RoHS2). Finished electrical and electronic equipment products will be CE marked as required by Directive 2011/65/EU. Components may not be CE marked. Additionally, the part numbers that TE has identified as EU ELV compliant have a maximum concentration of 0.1% by weight in homogenous materials for lead, hexavalent chromium, and mercury, and 0.01% for cadmium, or qualify for an exemption to these limits as defined in the Annexes of Directive 2000/53/EC (ELV). Regarding the REACH Regulation, the information TE provides on SVHC in articles for this part number is based on the latest European Chemicals Agency (ECHA) 'Guidance on requirements for substances in articles' posted at this URL: <https://echa.europa.eu/guidance-documents/guidance-on-reach>

Compatible Parts



Customers Also Bought



Documents

Product Drawings

55/0114-28-0

English

Datasheets & Catalog Pages

Raychem Wire and Cable Quick Reference Guide

English

Product Specifications

Product Specification

English