



RAYCHEM | RAYCHEM TXR

TE Internal #: 690809-000

Ruggedized, Backshell, .2 – 6.4 mm [.01 – .25 in] Cable Entry, Aluminum, Straight, 16 / 17 Shell Size, RAYCHEM TXR

[View on TE.com >](#)

Connectors > Connector Accessories > Connector Backshells



Connector Backshell Product Style: **Ruggedized**

Connector Backshell Product Type: **Backshell**

Cable Entry Diameter: **.2 – 6.4 mm [.01 – .25 in]**

Primary Product Material: **Aluminum**

Body Orientation: **Straight**

### Features

#### Industry Standards

Connector Detail Specification Number	MS27653, MS27467, MS27468, MS27656, MS27497, MS24266, MS27652, MS27481, MS27484, MS27479, MS27480, MS27665, MS27474, MS27472, MS27661, MS27473
---------------------------------------	--

#### Usage Conditions

Salt Spray Resistance	500 Hr
Operating Temperature Range	-65 – 175 °C[-85 – 347 °F]

#### Body Features

Primary Product Color	Olive Drab
Primary Product Material	Aluminum
Primary Product Plating Material	Cadmium (AMS-QQ-P-416, Type II, Class 3)

#### Dimensions

Product Length	26.8 mm[1.05 in]
Compatible Cable Diameter Range	3.2 – 5.1 mm[.125 – .2 in]
Cable Entry Diameter	.2 – 6.4 mm[.01 – .25 in]

#### Product Type Features

Termination Device Included	TR04AI
Connector Backshell Product Style	Ruggedized
Connector Backshell Product Type	Backshell



Termination Device Type Tinel-Lock Adapter, Tinel-Lock Ring, Side-Entry Tinel-Lock Ring

**Housing Features**

Body Orientation	Straight
Compatible With Connector Shape	Circular

**Operation/Application**

Compatible With Connector Shell Size	17, 16
--------------------------------------	--------

**Other**

Connector Interface Specification	MIL-DTL-38999 Series II/Class T, MIL-DTL-38999 Series II/Class E,T, MIL-DTL-38999 Series II/Class E,P,T, MIL-DTL-38999 Series I, MIL-DTL-38999 Series I/Class E,T, MIL-DTL-38999 Series I/Class E,P,T
TE Connector Interface Code	41
EU RoHS Compliance	Not Compliant
EU ELV Compliance	Not Compliant

**Product Compliance**

[For compliance documentation, visit the product page on TE.com>](#)

EU RoHS Directive 2011/65/EU	Not Compliant
EU ELV Directive 2000/53/EC	Not Compliant
China RoHS 2 Directive MIIT Order No 32, 2016	Restricted Materials Above Threshold
EU REACH Regulation (EC) No. 1907/2006	Current ECHA Candidate List: JUNE 2024 (241) Candidate List Declared Against: JUL 2021 (219) SVHC > Threshold: Pb (.3% in BODY & NUT) Cd (3% in BODY & NUT) <b>Article Safe Usage Statements:</b> Use personal protective equipment as required. Do not eat, drink or smoke when using this product. Wash thoroughly after handling. Recycle if possible and dispose of the article by following all applicable governmental regulations relevant to your geographic location.
Halogen Content	Low Halogen - Br, Cl, F, I < 900 ppm per homogenous material. Also BFR/CFR/PVC Free
Solder Process Capability	Not applicable for solder process capability

Product Compliance Disclaimer

This information is provided based on reasonable inquiry of our suppliers and represents our current actual knowledge based on the information they provided. This information is subject to change. The part numbers that TE has identified as

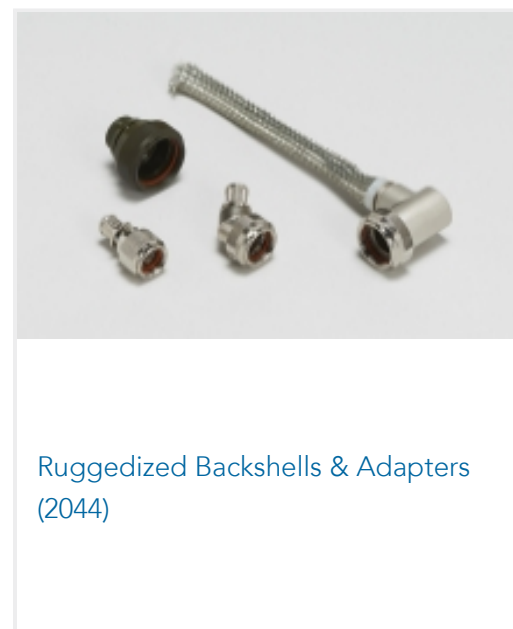
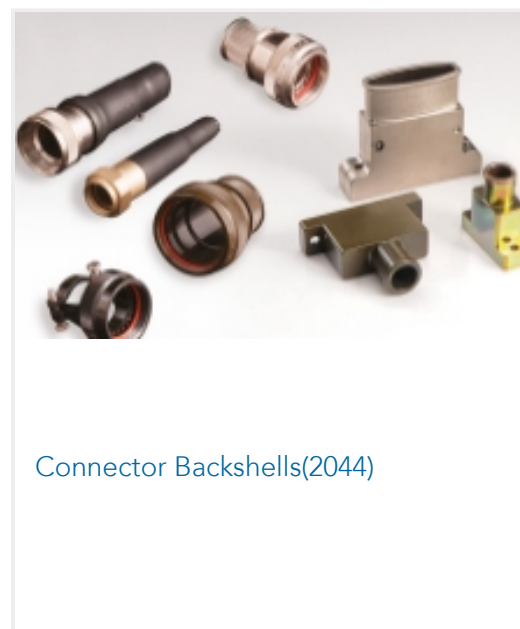
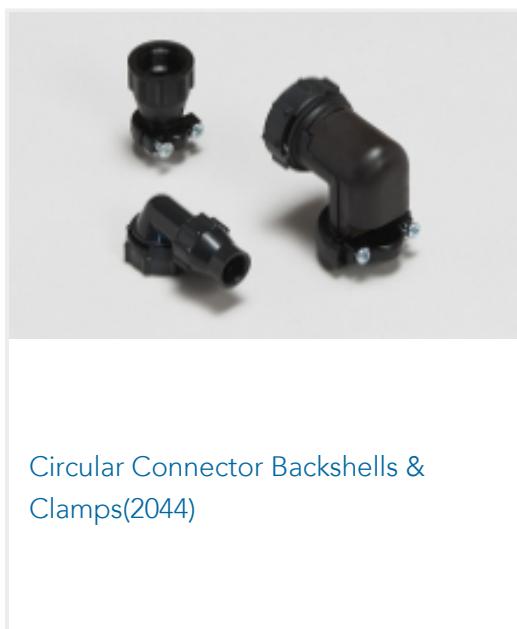


EU RoHS compliant have a maximum concentration of 0.1% by weight in homogenous materials for lead, hexavalent chromium, mercury, PBB, PBDE, DBP, BBP, DEHP, DIBP, and 0.01% for cadmium, or qualify for an exemption to these limits as defined in the Annexes of Directive 2011/65/EU (RoHS2). Finished electrical and electronic equipment products will be CE marked as required by Directive 2011/65/EU. Components may not be CE marked. Additionally, the part numbers that TE has identified as EU ELV compliant have a maximum concentration of 0.1% by weight in homogenous materials for lead, hexavalent chromium, and mercury, and 0.01% for cadmium, or qualify for an exemption to these limits as defined in the Annexes of Directive 2000/53/EC (ELV). Regarding the REACH Regulation, the information TE provides on SVHC in articles for this part number is based on the latest European Chemicals Agency (ECHA) 'Guidance on requirements for substances in articles' posted at this URL: <https://echa.europa.eu/guidance-documents/guidance-on-reach>

## Compatible Parts

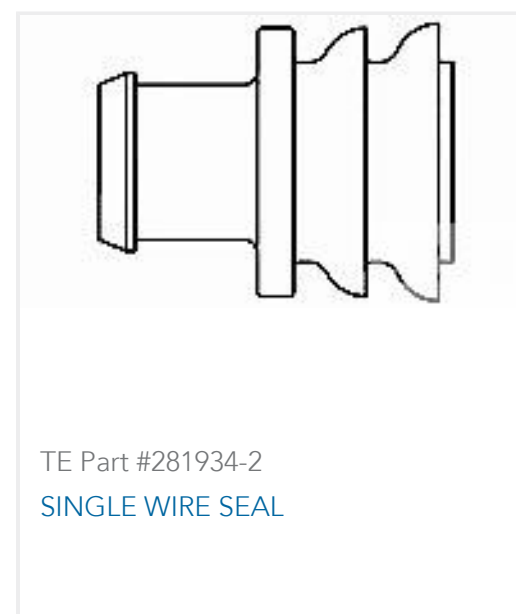


## Also in the Series | RAYCHEM TXR



## Customers Also Bought





## Documents

### Product Drawings

[TXR41AB00-1604AI](#)

English

### CAD Files

[3D PDF](#)

3D

[Customer View Model](#)

[ENG\\_CVM\\_CVM\\_690809-000\\_O.2d\\_dxf.zip](#)

English

[Customer View Model](#)

[ENG\\_CVM\\_CVM\\_690809-000\\_O.3d\\_igs.zip](#)

English

[Customer View Model](#)

[ENG\\_CVM\\_CVM\\_690809-000\\_O.3d\\_stp.zip](#)

English

By downloading the CAD file I accept and agree to the [Terms and Conditions](#) of use.

### Datasheets & Catalog Pages

[5-1654025-5\\_sec6\\_Adapters](#)

English

### Product Specifications

[General Information Package for Tinel-Lock Adapters](#)

English

[Braid termination using a Tinel Lock Ring installed using a resistance heater.](#)

French

[Braid termination using a Tinel Lock Ring installed using a resistance heater.](#)

English

[PERFORMANCE SPECIFICATION Tinel-Lock Rings, Heat Recoverable for Braid Termination](#)

English

[General Harness Repair Manual](#)

English

[ASSEMBLY GUIDE for Tinel-Lock Rings, Heat Recoverable for Braid Termination](#)

English



## Product Specification

English