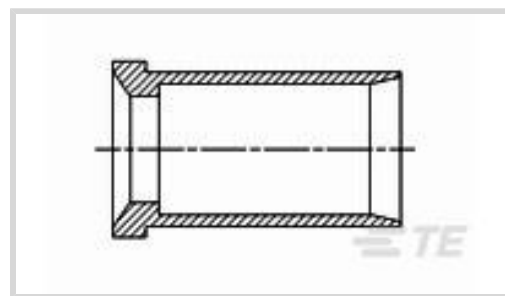




Wire Protection & Management > Interconnect Devices > Shielded Contacts



EU RoHS Compliance: **Compliant**

EU ELV Compliance: **Compliant**

Features

Usage Conditions

Operating Temperature (Max)	150 °C
-----------------------------	--------

Other

EU RoHS Compliance	Compliant
EU ELV Compliance	Compliant

Product Compliance

[For compliance documentation, visit the product page on TE.com>](#)

EU RoHS Directive 2011/65/EU	Compliant
EU ELV Directive 2000/53/EC	Compliant
China RoHS 2 Directive MIIT Order No 32, 2016	No Restricted Materials Above Threshold
EU REACH Regulation (EC) No. 1907/2006	Current ECHA Candidate List: JUNE 2024 (241) Candidate List Declared Against: JUNE 2024 (241) SVHC > Threshold: Pb (37% in Solder)
Halogen Content	Low Bromine/Chlorine - Br and Cl < 900 ppm per homogenous material. Also BFR /CFR/PVC Free
Solder Process Capability	Not applicable for solder process capability

Product Compliance Disclaimer

This information is provided based on reasonable inquiry of our suppliers and represents our current actual knowledge based on the information they provided. This information is subject to change. The part numbers that TE has identified as EU RoHS compliant have a maximum concentration of 0.1% by weight in homogenous materials for lead, hexavalent

chromium, mercury, PBB, PBDE, DBP, BBP, DEHP, DIBP, and 0.01% for cadmium, or qualify for an exemption to these limits as defined in the Annexes of Directive 2011/65/EU (RoHS2). Finished electrical and electronic equipment products will be CE marked as required by Directive 2011/65/EU. Components may not be CE marked. Additionally, the part numbers that TE has identified as EU ELV compliant have a maximum concentration of 0.1% by weight in homogenous materials for lead, hexavalent chromium, and mercury, and 0.01% for cadmium, or qualify for an exemption to these limits as defined in the Annexes of Directive 2000/53/EC (ELV). Regarding the REACH Regulation, the information TE provides on SVHC in articles for this part number is based on the latest European Chemicals Agency (ECHA) 'Guidance on requirements for substances in articles' posted at this URL: <https://echa.europa.eu/guidance-documents/guidance-on-reach>

Compatible Parts



TE Part # EG8162-000
HL1920E-230V-EURO

Customers Also Bought



TE Part #600259N006
RD10A18-23-P6CS051/1



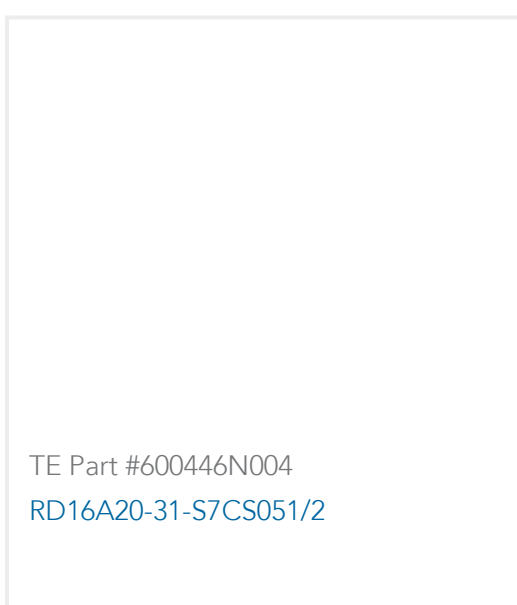
TE Part #896901-000
RD16A14-12-S7CS051/2



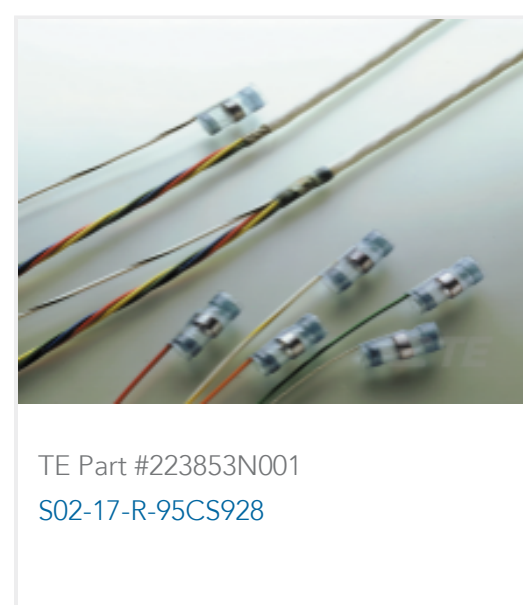
TE Part #600270N009
RD10A24-51-PNCS051/1



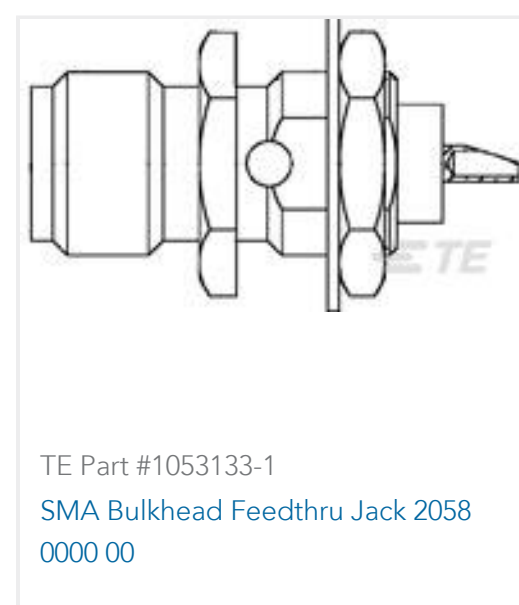
TE Part #912229-001
CES-3



TE Part #600446N004
RD16A20-31-S7CS051/2



TE Part #223853N001
S02-17-R-95CS928



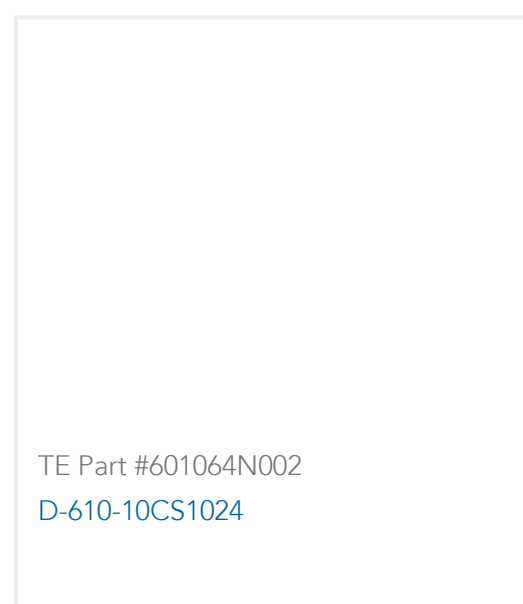
TE Part #1053133-1
SMA Bulkhead Feedthru Jack 2058
0000 00



TE Part #640550N001
S02-18-R-6CS1092



TE Part #054191-000
382A023-4-0-CS5366



TE Part #601064N002
D-610-10CS1024

Documents



Product Drawings

CHA-0001

English

Product Specifications

Product Specification

English