



RPS

TE Internal #: 6797570001

White, Commercial, Ladder, Recovered ID 4.22 mm [.166 in], 3:1, 1

Prescores, 2 Markers per Sleeve, 25 mm [1 in] Length, RPS

[View on TE.com >](#)

Identification & Labeling > Printable Tubing > RPS Commercial Grade Sleeves



Printable Tubing Type: **Ladder**

Printable Tubing Grade: **Commercial**

Shrink Ratio: **3:1**

Primary Product Color: **White**

Number of Prescores: **1**

[All RPS Commercial Grade Sleeves \(57\)](#)

Features

Product Type Features

Printable Tubing Type	Ladder
Printable Tubing Grade	Commercial

Body Features

Shrink Ratio	3:1
Primary Product Color	White
Markers per Sleeve	2

Dimensions

Product Length	25 mm[1 in]
Expanded Inside Diameter (Min)	12.7 mm[.5 in]
Recovered Inside Diameter (Max)	4.22 mm[.166 in]
Compatible Cable Diameter Range	4.6 – 10.8 mm[.183 – .425 in]

Usage Conditions

Operating Temperature Range	-30 – 105 °C[-22 – 221 °F]
-----------------------------	----------------------------

Printer/Label Features

Printer Technology	Thermal Transfer
Number of Prescores	1

Packaging Features

Packaging Quantity	1000
--------------------	------

Product Compliance

[For compliance documentation, visit the product page on TE.com>](#)

EU RoHS Directive 2011/65/EU	Compliant
EU ELV Directive 2000/53/EC	Compliant
China RoHS 2 Directive MIIT Order No 32, 2016	有害物质含量符合标准要求 No Restricted Substance(s) Above Threshold
EU REACH Regulation (EC) No. 1907/2006	Current ECHA Candidate List: JUNE 2025 (250) Candidate List Declared Against: JUNE 2025 (250) Does not contain REACH SVHC
Halogen Content	Not Low Halogen - contains Br or Cl > 900 ppm.
Solder Process Capability	Not applicable for solder process capability

Product Compliance Disclaimer

This information is provided based on reasonable inquiry of our suppliers and represents our current actual knowledge based on the information they provided. This information is subject to change. The part numbers that TE has identified as EU RoHS compliant have a maximum concentration of 0.1% by weight in homogenous materials for lead, hexavalent chromium, mercury, PBB, PBDE, DBP, BBP, DEHP, DIBP, and 0.01% for cadmium, or qualify for an exemption to these limits as defined in the Annexes of Directive 2011/65/EU (RoHS2). Finished electrical and electronic equipment products will be CE marked as required by Directive 2011/65/EU. Components may not be CE marked. Additionally, the part numbers that TE has identified as EU ELV compliant have a maximum concentration of 0.1% by weight in homogenous materials for lead, hexavalent chromium, and mercury, and 0.01% for cadmium, or qualify for an exemption to these limits as defined in the Annexes of Directive 2000/53/EC (ELV). Regarding the REACH Regulation, the information TE provides on SVHC in articles for this part number is based on the latest European Chemicals Agency (ECHA) 'Guidance on requirements for substances in articles' posted at this URL: <https://echa.europa.eu/guidance-documents/guidance-on-reach>

Compatible Parts



Also in the Series | RPS



Printable Tubing(57)

Customers Also Bought



TE Part #121397P024
ES2000-NO.3-B8-0-STK



TE Part #CAT-T3437-R819
RPS Commercial Grade Sleeves



TE Part #NB13892001
TAT-125-1/2-0-STK



TE Part #350547-7
UMNL PIN 20-14 AUBR L/P



TE Part #350690-2
UMNL PIN 24-18 AUBR L/P



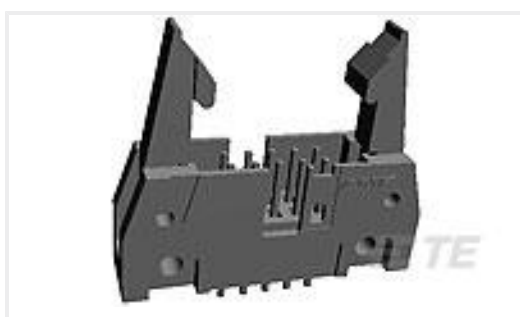
TE Part #350780-1
04P UMNL CAP HSG



TE Part #794274-1
04P UMNL WIRE SEAL



TE Part #1218434-3
R/A RCP ASSY 25 POS SER 109



TE Part #5499923-9
A/L UNIV HDR 40P VERT LAT

Documents

Datasheets & Catalog Pages

[IDENTIFICATION SELECTION GUIDE](#)

English

[Cable Identification Product Shelf Life](#)

English

Product Specifications

[Product Specification](#)

English



Instruction Sheets

Instruction Sheet (non U.S.)

English