



Wire Protection & Management > Interconnect Devices > SolderSleeve Shield Terminators



Operating Temperature (Max): 150 °C

Expanded Inside Diameter (Min): 6.99 mm [.275 in]

Recovered Inside Diameter (Max): 2.54 mm [.1 in]

Pre-Installed Lead: **Yes**

Resistance Properties: **Immersion Protection**

Features

Body Features

Lead Stranding	Stranded
Lead Plating Material	Tin
Lead Color	Green

Industry Standards

MIL/NAS Specification (MIL-S-83519, NAS-1747)	No
Government Qualified	No

Product Type Features

Temperature Indicator	Yes
Interconnect Device Splice Type	Shield Terminator
Temperature Indicator Type	Fusible Ring

Configuration Features

Pre-Installed Lead Type	55A0111
Pre-Installed Lead	Yes

Dimensions

Compatible Jacket Diameter Range	7 mm[.276 in]
Product Length	19.1 mm[.75 in]
Shield Outside Diameter (Min)	4.3 mm[.17 in]
Pre-Installed Lead Wire Size	1216 CMA

Dielectric Outside Diameter (Max)	2.5 mm[.1 in]
Expanded Inside Diameter (Min)	6.99 mm[.275 in]
Recovered Inside Diameter (Max)	2.54 mm[.1 in]

Usage Conditions

Operating Temperature (Max)	150 °C
Resistance Properties	Immersion Protection
Wire Temperature (Max)	125 °C

Other

EU RoHS Compliance	Not Compliant
EU ELV Compliance	Not Compliant

Product Compliance

[For compliance documentation, visit the product page on TE.com>](#)

EU RoHS Directive 2011/65/EU	Not Compliant
EU ELV Directive 2000/53/EC	Not Compliant
China RoHS 2 Directive MIIT Order No 32, 2016	Restricted Materials Above Threshold
EU REACH Regulation (EC) No. 1907/2006	Current ECHA Candidate List: JUNE 2024 (241) Candidate List Declared Against: JUNE 2024 (241) SVHC > Threshold: Pb (37% in Solder) Article Safe Usage Statements: Do not eat, drink or smoke when using this product. Wash thoroughly after handling. Recycle if possible and dispose of the article by following all applicable governmental regulations relevant to your geographic location.
Halogen Content	Low Bromine/Chlorine - Br and Cl < 900 ppm per homogenous material. Also BFR /CFR/PVC Free
Solder Process Capability	Not applicable for solder process capability

Product Compliance Disclaimer

This information is provided based on reasonable inquiry of our suppliers and represents our current actual knowledge based on the information they provided. This information is subject to change. The part numbers that TE has identified as EU RoHS compliant have a maximum concentration of 0.1% by weight in homogenous materials for lead, hexavalent chromium, mercury, PBB, PBDE, DBP, BBP, DEHP, DIBP, and 0.01% for cadmium, or qualify for an exemption to these limits as defined in the Annexes of Directive 2011/65/EU (RoHS2). Finished electrical and electronic equipment products will be CE marked as required by Directive 2011/65/EU. Components may not be CE marked. Additionally, the part numbers that TE has identified as EU ELV compliant have a maximum concentration of 0.1% by weight in homogenous materials for lead, hexavalent chromium, and mercury, and 0.01% for cadmium, or qualify for an exemption to these limits as defined in the Annexes of Directive 2000/53/EC (ELV). Regarding the REACH Regulation, the information TE provides on SVHC in articles for this part number is based on the latest European Chemicals Agency (ECHA) 'Guidance on requirements for substances in articles' posted at this URL: <https://echa.europa.eu/guidance-documents/guidance-on-reach>

Compatible Parts



TE Part # EG8162-000
HL1920E-230V-EURO

Customers Also Bought



TE Part #EG4241-000
PWR0113-00-0



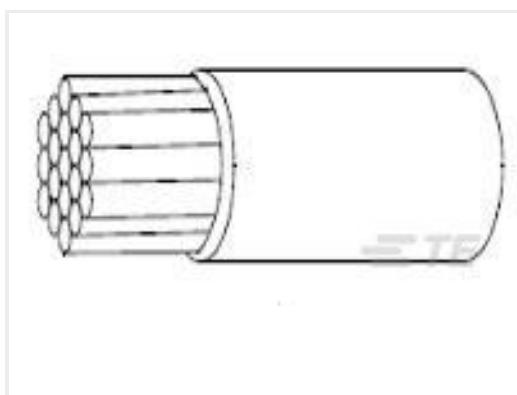
TE Part #325411-000
55A1121-20-9/96-9CS2275



TE Part #2391865-2
250 sleeve PL YELLOW transparent



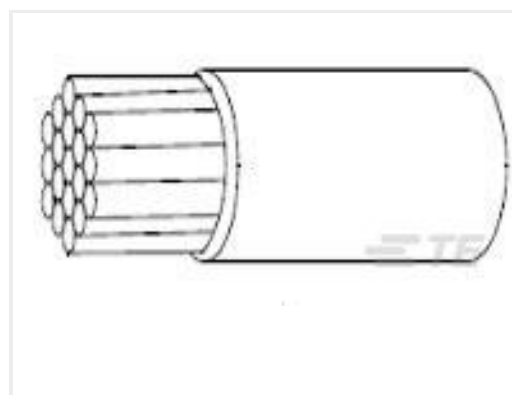
TE Part #2391865-1
POSITIVE LOCK 250 (6.3 MM) SLEEVE



TE Part #216385-001
22759/32-20-0



TE Part #1-1469492-2
MULTIGIG RT 9MM GUIDE/ESD 45 DEG



TE Part #349106-000
22759/32-12-0



TE Part #1-1469492-7
MULTIGIG RT 9MM GUIDE/ESD 270 DEG



TE Part #1-1469492-8
MULTIGIG RT 9MM GUIDE/ESD 315 DEG



TE Part #175024-1
250 PL EX REC. 15-10AWG PTBR

Documents

Datasheets & Catalog Pages

[1654025_Sec8_B-155_CWT_SO63_S01to03_SO%](#)

English

Product Specifications

[Product Specification](#)

English

