

66580-7 ✓ ACTIVE

AMP | AMP Type IV

TE Internal #: 66580-7

Socket Contact, Gold, 250 VAC, 250 VDC, Size 16 Contact Size, 18 – 16 AWG, .8 – 1.4 mm² Wire, Crimp, Brass, Power, AMP Type IV

[View on TE.com >](#)



Connectors > Contacts > Connector Contacts



Contact Type: **Socket**

Contact Mating Area Plating Material: **Gold**

Wire Contact Termination Area Plating Material: **Tin**

Operating Voltage: **250 VDC**

Features

Mechanical Attachment

Wire Insulation Support	With
-------------------------	------

Packaging Features

Packaging Method	Strip
------------------	-------

Dimensions

Compatible Insulation Diameter Range	2.03 – 2.54 mm [.08 – .1 in]
--------------------------------------	------------------------------

Wire Size	.8 – 1.4 mm ²
-----------	--------------------------

Contact Features

Contact Underplating Material	Nickel
-------------------------------	--------

Contact Orientation	Straight
---------------------	----------

Mating Pin Diameter	1.57 mm [.062 in]
---------------------	-------------------

Contact Underplating Material Thickness	1.27 μm [50 μin]
---	------------------

Wire Contact Termination Area Plating Thickness	1.27 μm [50 μin]
---	------------------

Contact Mating Area Plating Material Thickness	.76 μm [30 μin]
--	-----------------

Contact Mating Area Plating Material Finish	Bright
---	--------

Wire Contact Termination Area Plating Material Finish	Bright
---	--------



Contact Type	Socket
Contact Mating Area Plating Material	Gold
Wire Contact Termination Area Plating Material	Tin
Contact Retention Within Housing	With
Contact Size	Size 16
Contact Base Material	Brass
Contact Current Rating (Max)	1.8 A

Electrical Characteristics

Operating Voltage	250 VDC
-------------------	---------

Product Type Features

Sealable	No
----------	----

Termination Features

Termination Method to Wire & Cable	Crimp
Product Terminates To	Wire & Cable

Usage Conditions

Operating Temperature Range	-55 – 150 °C[-67 – 302 °F]
-----------------------------	----------------------------

Operation/Application

Circuit Application	Power
---------------------	-------

Other

EU RoHS Compliance	Compliant
EU ELV Compliance	Compliant

Product Compliance

[For compliance documentation, visit the product page on TE.com>](#)

EU RoHS Directive 2011/65/EU	Compliant
EU ELV Directive 2000/53/EC	Compliant
China RoHS 2 Directive MIIT Order No 32, 2016	No Restricted Materials Above Threshold
EU REACH Regulation (EC) No. 1907/2006	Current ECHA Candidate List: JUNE 2024 (241) Candidate List Declared Against: JUNE 2024 (241) Does not contain REACH SVHC
Halogen Content	Low Halogen - Br, Cl, F, I < 900 ppm per homogenous material. Also BFR/CFR/PVC

Free

Solder Process Capability

Not applicable for solder process capability

Product Compliance Disclaimer

This information is provided based on reasonable inquiry of our suppliers and represents our current actual knowledge based on the information they provided. This information is subject to change. The part numbers that TE has identified as EU RoHS compliant have a maximum concentration of 0.1% by weight in homogenous materials for lead, hexavalent chromium, mercury, PBB, PBDE, DBP, BBP, DEHP, DIBP, and 0.01% for cadmium, or qualify for an exemption to these limits as defined in the Annexes of Directive 2011/65/EU (RoHS2). Finished electrical and electronic equipment products will be CE marked as required by Directive 2011/65/EU. Components may not be CE marked. Additionally, the part numbers that TE has identified as EU ELV compliant have a maximum concentration of 0.1% by weight in homogenous materials for lead, hexavalent chromium, and mercury, and 0.01% for cadmium, or qualify for an exemption to these limits as defined in the Annexes of Directive 2000/53/EC (ELV). Regarding the REACH Regulation, the information TE provides on SVHC in articles for this part number is based on the latest European Chemicals Agency (ECHA) 'Guidance on requirements for substances in articles' posted at this URL: <https://echa.europa.eu/guidance-documents/guidance-on-reach>

Compatible Parts



TE Part # 2305570-1
Strip Terminal Cutter-Side Feed-No Crimp



TE Part # 58495-2
PROCRIMPER DIE ASSY MULTIMATE



TE Part # 5-2151023-1
OCEAN_2.0_Applicator-S-080F120O-RSM



TE Part # 2151023-1
OCEAN_2.0_Applicator-S-080F120O-RSM



TE Part # 58495-1
PRO CRIMPER ASSY MULTIMATE



TE Part # 7-2151023-7
OCEAN_2.0_SPARE_PART_KIT-080F120O




TE Part # 2151023-2
OCEAN_2.0_Applicator-S-080F120O-RSA




TE Part # 5-2151023-2
OCEAN_2.0_Applicator-S-080F120O-RSA

Also in the Series | AMP Type IV



Connector Contacts(47)



Power Contacts(47)

Customers Also Bought



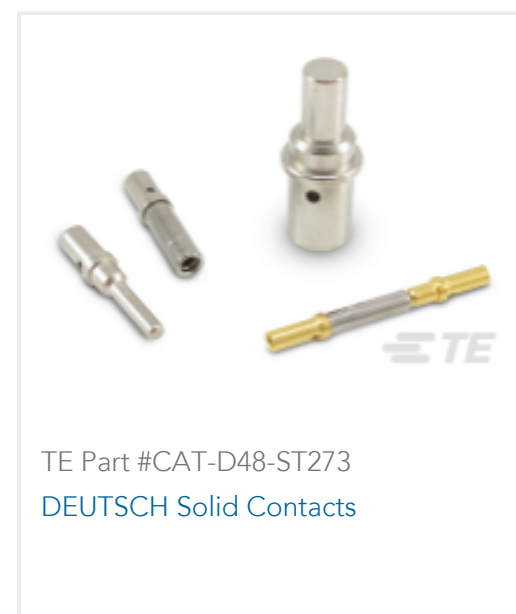
TE Part #DT04-2P
REC, 2P, GRY, N



TE Part #DT06-2S
PLG, 2P, GRY, N



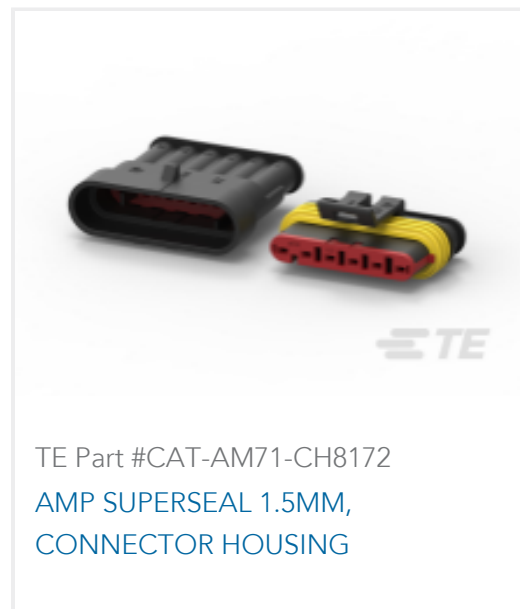
TE Part #CAT-D487-W416
Wedgelocks: DEUTSCH DT



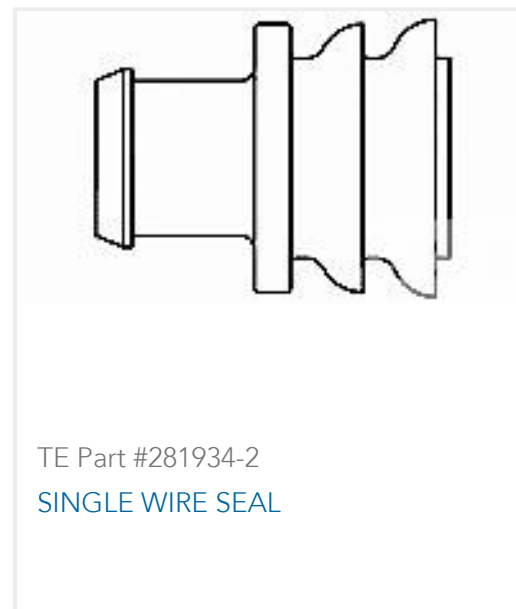
TE Part #CAT-D48-ST273
DEUTSCH Solid Contacts



TE Part #114017-ZZ
SEALING PLUG, SIZE 12/16, WHT



TE Part #CAT-AM71-CH8172
AMP SUPERSEAL 1.5MM,
CONNECTOR HOUSING



TE Part #281934-2
SINGLE WIRE SEAL

Documents

Product Drawings

TYPE VI SOCKET, MULTI-MATE

English

CAD Files

3D PDF

3D

Customer View Model

[ENG_CVM_CVM_66580-7_AN_c-66580-7-an.2d_dxf.zip](#)

English

Customer View Model

[ENG_CVM_CVM_66580-7_AN_c-66580-7-an.3d_igs.zip](#)

English

Customer View Model

[ENG_CVM_CVM_66580-7_AN_c-66580-7-an.3d_stp.zip](#)

English

By downloading the CAD file I accept and agree to the [Terms and Conditions](#) of use.

Product Specifications

Application Specification

Japanese

Application Specification

English