

6650383-3 ✓ ACTIVE



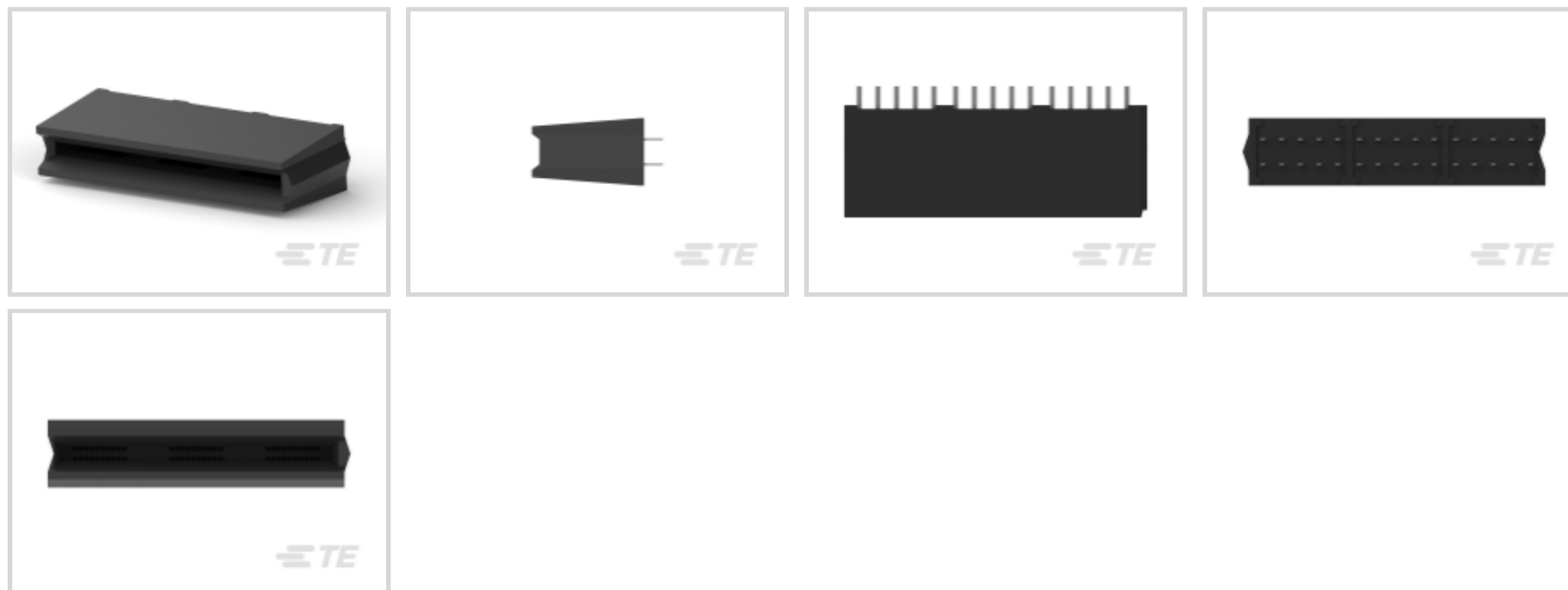
## CROWN EDGE

TE Internal #: 6650383-3

Board-to-Board Card Edge Power Connector, 6 Position, 2.5 mm [.098 in] Centerline, Power, 6 Power Positions, 0 Signal Positions, CROWN EDGE

[View on TE.com >](#)

Connectors > PCB Connectors > Card Edge Connectors > Card Edge Power Connectors



Connector System: **Board-to-Board**

Number of Positions: **6**

Centerline (Pitch): **2.5 mm [.098 in]**

Contact Current Rating (Max): **35 A**

Circuit Application: **Power**

### Features

#### Industry Standards

UL Flammability Rating	UL 94V-0
------------------------	----------

#### Body Features

Primary Product Color	Black
-----------------------	-------

#### Mechanical Attachment

Connector Mounting Type	Board Mount
PCB Mount Retention	Without
Mating Retention	Without
Mating Alignment	Without
PCB Mount Alignment	Without

#### Packaging Features

Packaging Quantity	192
Packaging Method	Box

#### Termination Features

--	--



Termination Post & Tail Length	3.56 mm, 4.06 mm [.159 in][.14 in]
--------------------------------	------------------------------------

Termination Method to PCB	Through Hole - Solder
---------------------------	-----------------------

### Dimensions

Row-to-Row Spacing	3.33 mm [.129 in]
--------------------	-------------------

PCB Thickness (Recommended)	1.6 mm [.063 in]
-----------------------------	------------------

Connector Height	15 mm [.591 in]
------------------	-----------------

	.508 in
--	---------

### Contact Features

Power Contact Base Material	Phosphor Bronze Alloy
-----------------------------	-----------------------

Power Contact Plating Material	Select Gold
--------------------------------	-------------

PCB Contact Termination Area Plating Material Finish	Matte
--	-------

Contact Mating Area Plating Material Thickness	.76 $\mu\text{m}$ [30 $\mu\text{in}$ ]
--	--

	100 $\mu\text{in}$
--	--------------------

Contact Base Material	Phosphor Bronze
-----------------------	-----------------

PCB Contact Termination Area Plating Material	Tin
---	-----

Contact Type	Socket
--------------	--------

Contact Current Rating (Max)	35 A
------------------------------	------

Contact Mating Area Plating Material	Gold
--------------------------------------	------

### Housing Features

Housing Material	Thermoplastic
------------------	---------------

Centerline (Pitch)	2.5 mm [.098 in]
--------------------	------------------

### Configuration Features

Mating & Unmating Configuration	Hot Pluggable
---------------------------------	---------------

PCB Mount Orientation	Vertical
-----------------------	----------

Number of Positions	6
---------------------	---

Number of Power Positions	6
---------------------------	---

Number of Signal Positions	0
----------------------------	---

Number of Dual Positions	3
--------------------------	---

### Product Type Features

Connector & Contact Terminates To	Printed Circuit Board
-----------------------------------	-----------------------

Connector Mates With	Printed Circuit Board
----------------------	-----------------------

Connector & Housing Type	Receptacle
--------------------------	------------



Connector System

Board-to-Board

### Electrical Characteristics

Operating Voltage

250 V

### Usage Conditions

Operating Temperature Range

-55 – 105 °C[-67 – 221 °F]

### Operation/Application

Circuit Application

Power

### Other

EU RoHS Compliance

Compliant

EU ELV Compliance

Compliant

## Product Compliance

[For compliance documentation, visit the product page on TE.com>](#)

EU RoHS Directive 2011/65/EU

Compliant

EU ELV Directive 2000/53/EC

Compliant

China RoHS 2 Directive MIIT Order No 32, 2016

No Restricted Materials Above Threshold

EU REACH Regulation (EC) No. 1907/2006

Current ECHA Candidate List: JUNE 2024 (241)  
 Candidate List Declared Against: JUNE 2024 (241)  
 Does not contain REACH SVHC

Halogen Content

Not Low Halogen - contains Br or Cl &gt; 900 ppm.

Solder Process Capability

Wave solder capable to 265°C

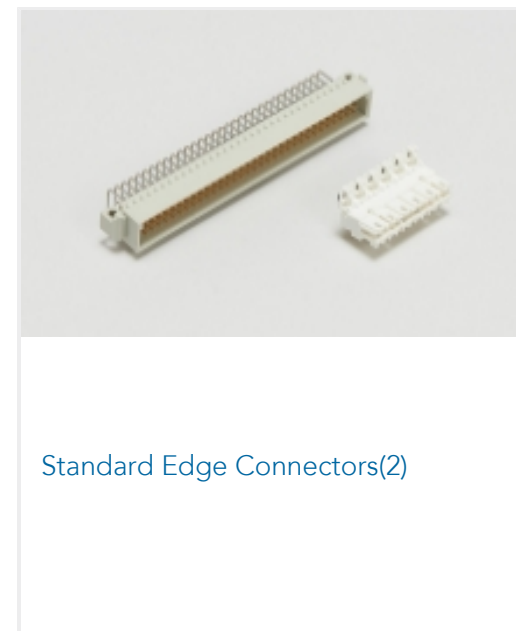
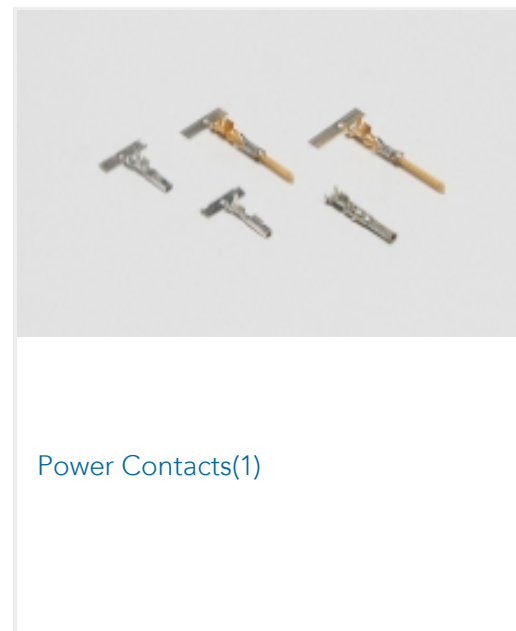
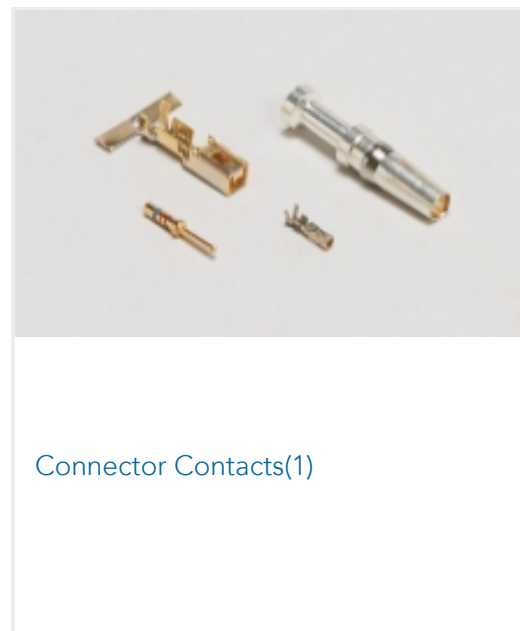
#### Product Compliance Disclaimer

This information is provided based on reasonable inquiry of our suppliers and represents our current actual knowledge based on the information they provided. This information is subject to change. The part numbers that TE has identified as EU RoHS compliant have a maximum concentration of 0.1% by weight in homogenous materials for lead, hexavalent chromium, mercury, PBB, PBDE, DBP, BBP, DEHP, DIBP, and 0.01% for cadmium, or qualify for an exemption to these limits as defined in the Annexes of Directive 2011/65/EU (RoHS2). Finished electrical and electronic equipment products will be CE marked as required by Directive 2011/65/EU. Components may not be CE marked. Additionally, the part numbers that TE has identified as EU ELV compliant have a maximum concentration of 0.1% by weight in homogenous materials for lead, hexavalent chromium, and mercury, and 0.01% for cadmium, or qualify for an exemption to these limits as defined in the Annexes of Directive 2000/53/EC (ELV). Regarding the REACH Regulation, the information TE provides on SVHC in articles for this part number is based on the latest European Chemicals Agency (ECHA) 'Guidance on requirements for substances in articles' posted at this URL: <https://echa.europa.eu/guidance-documents/guidance-on-reach>

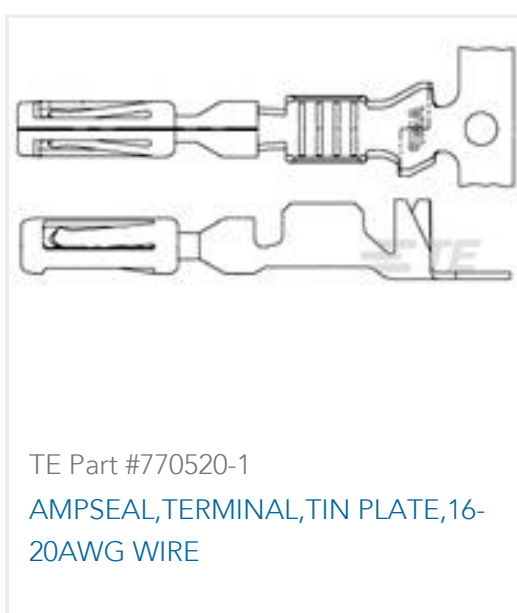
## Compatible Parts



Also in the Series | CROWN EDGE



Customers Also Bought





## Documents

### CAD Files

#### 3D PDF

3D

Customer View Model

[ENG\\_CVM\\_CVM\\_6650383-3\\_B.2d\\_dxf.zip](#)

English

Customer View Model

[ENG\\_CVM\\_CVM\\_6650383-3\\_B.3d\\_igs.zip](#)

English

Customer View Model

[ENG\\_CVM\\_CVM\\_6650383-3\\_B.3d\\_stp.zip](#)

English

By downloading the CAD file I accept and agree to the [Terms and Conditions](#) of use.

### Datasheets & Catalog Pages

[POWER\\_CONNECTORS\\_CATALOG\\_SEC03\\_CARD\\_EDGE](#)

English

### Product Specifications

[Application Specification](#)

English

### Agency Approvals

[UL](#)

English